

INTERIOR

GENERAL INFORMATION	63-3	B-pillar Lower Protector Assembly	63-20
Description	63-3	Removal	63-20
Specifications	63-8	Installation	63-20
Tool	63-8	B-pillar Upper Protector Assembly	63-21
ON-VEHICLE SERVICE	63-9	Removal	63-21
Front Door Scuff Plate Assembly	63-9	Installation	63-22
Removal	63-9	C-pillar Lower Protector Assembly	63-23
Installation	63-9	Removal	63-23
Rear Door Scuff Plate Assembly	63-10	Installation	63-25
Removal	63-10	C-pillar Upper Protector Assembly	63-26
Installation	63-10	Removal	63-26
Front Doorsill Pressure Plate Assembly	63-11	Installation	63-27
Removal	63-11	Sun Visor Assembly	63-28
Installation	63-11	Removal	63-28
Rear Doorsill Pressure Plate Assembly	63-12	Installation	63-28
Removal	63-12	Passenger Grip Assembly	63-29
Installation	63-12	Removal	63-29
Back Doorsill Pressure Plate Assembly	63-13	Installation	63-29
Removal	63-13	Roof Assembly	63-30
Installation	63-13	Removal	63-30
Front Door Opening Weatherstrip	63-14	Installation	63-32
Removal	63-14	Front Floor Carpet Assembly	63-33
Installation	63-14	Removal	63-33
Rear Door Opening Weatherstrip	63-15	Installation	63-34
Removal	63-15	Luggage Compartment Carpet Assembly	63-35
Installation	63-15	Removal	63-35
Back Door Weatherstrip	63-16	Installation	63-35
Removal	63-16	Tonneau Cover Assembly	63-36
Installation	63-16	Removal	63-36
A-pillar Upper Protector Assembly	63-17	Installation	63-36
Removal	63-17	Fuel Filler Cap Cable Assembly	63-37
Installation	63-18	Removal	63-37
A-pillar Lower Protector Assembly	63-19	Installation	63-39
Removal	63-19	Rear Wheel House Sound Insulation Pad	63-40
Installation	63-19	Removal	63-40
		Installation	63-40

دیجیتال خودرو

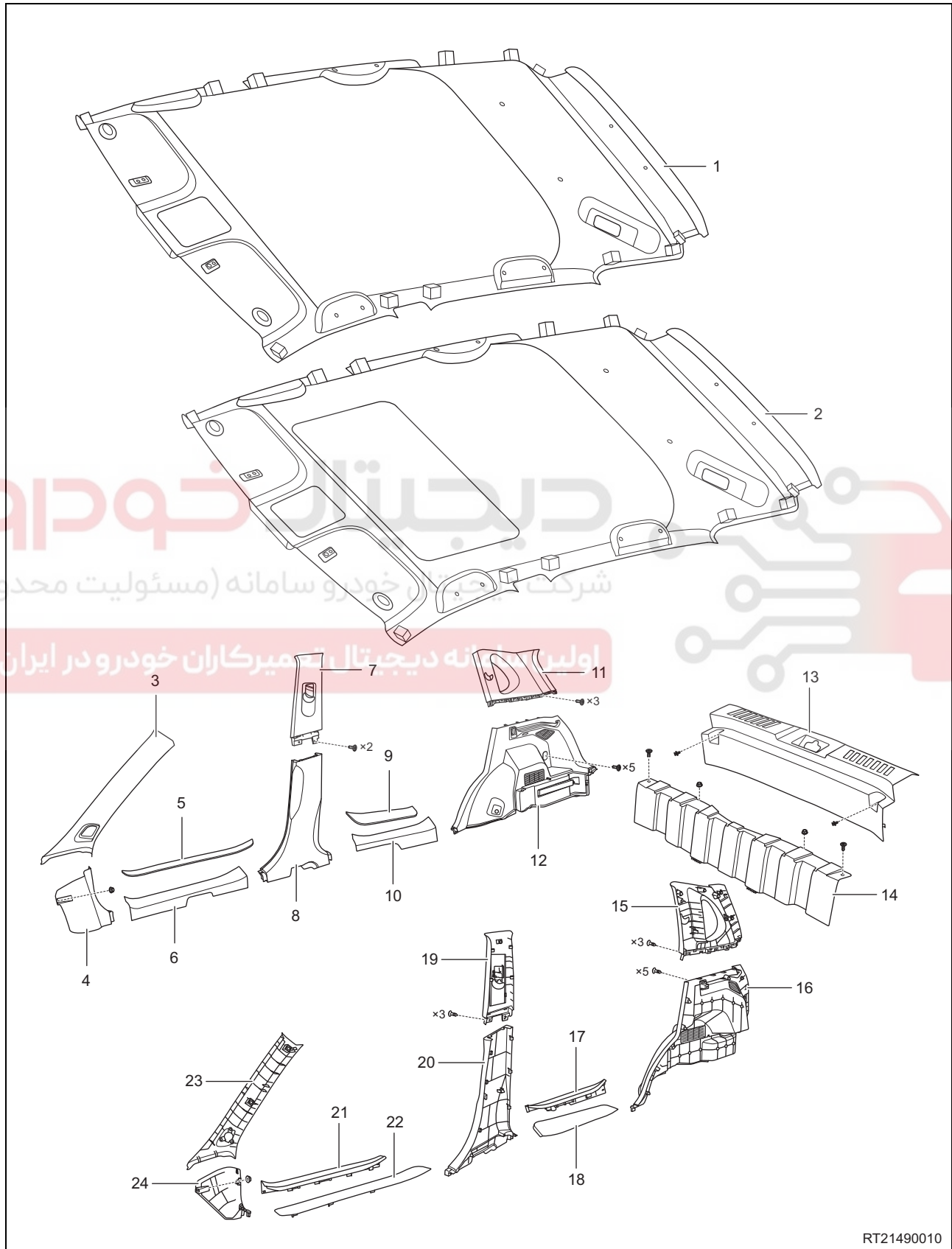
شرکت دیجیتال خودرو سامانه (مسئولیت محدود)

اولین سامانه دیجیتال تعمیرکاران خودرو در ایران



GENERAL INFORMATION

Description



RT21490010

63 - INTERIOR

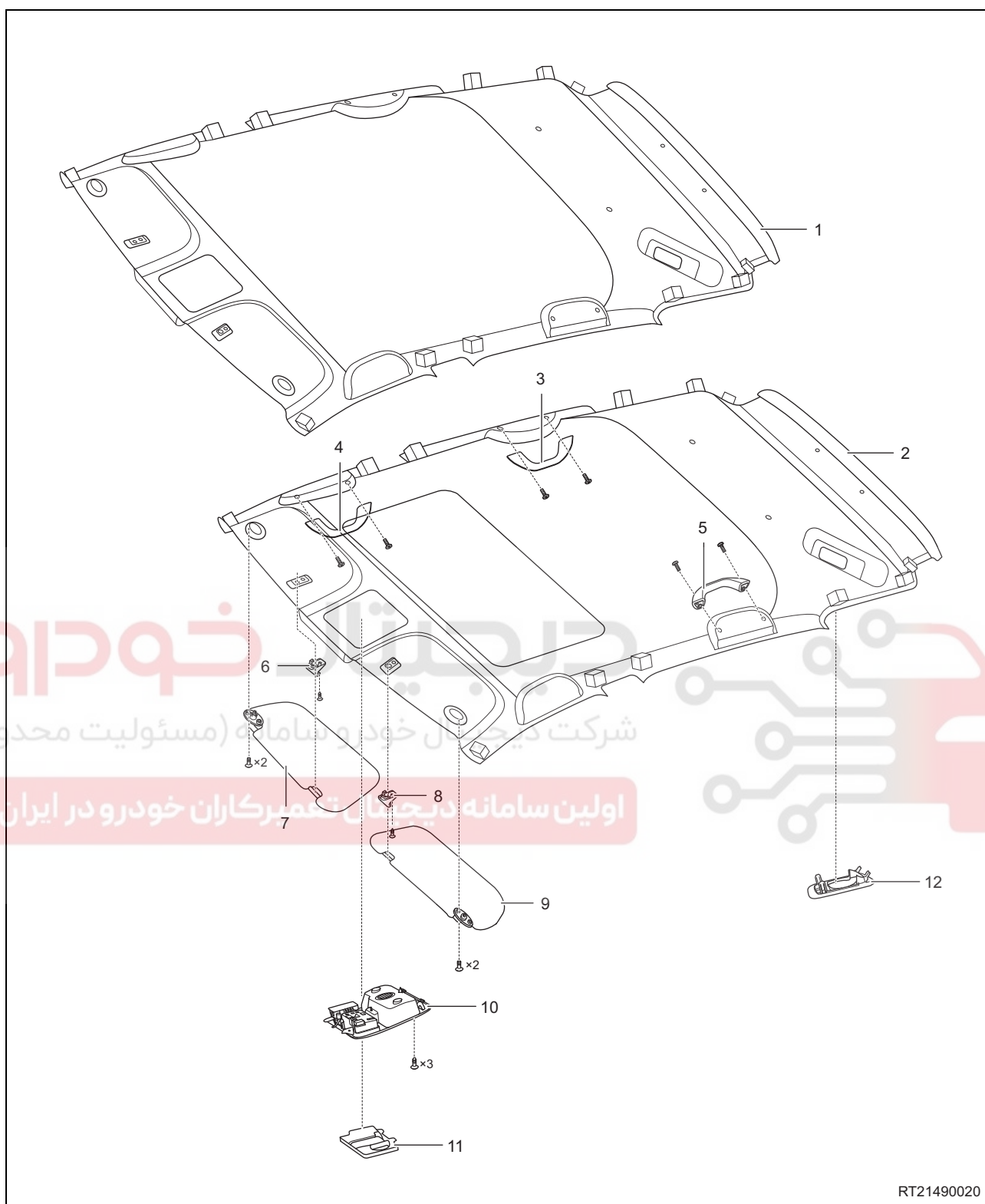
1 - Roof Assembly (w/o Sunroof)	2 - Roof Assembly (w/ Sunroof)
3 - Right A-pillar Upper Protector Assembly	4 - Right A-pillar Lower Protector Assembly
5 - Front Right Door Scuff Plate Assembly	6 - Front Right Doorsill Pressure Plate Assembly
7 - Right B-pillar Upper Protector Assembly	8 - Right B-pillar Lower Protector Assembly
9 - Rear Right Door Scuff Plate Assembly	10 - Rear Right Doorsill Pressure Plate Assembly
11 - Right C-pillar Upper Protector Assembly	12 - Right C-pillar Lower Protector Assembly
13 - Back Doorsill Pressure Plate Assembly	14 - Back Door Baffle Plate Assembly
15 - Left C-pillar Upper Protector Assembly	16 - Left C-pillar Lower Protector Assembly
17 - Rear Left Doorsill Pressure Plate Assembly	18 - Rear Left Door Scuff Plate Assembly
19 - Left B-pillar Upper Protector Assembly	20 - Left B-pillar Lower Protector Assembly
21 - Front Left Doorsill Pressure Plate Assembly	22 - Front Left Door Scuff Plate Assembly
23 - Left A-pillar Upper Protector Assembly	24 - Left A-pillar Lower Protector Assembly

دیجیتال خودرو

شرکت دیجیتال خودرو سامانه (مسئولیت محدود)

اولین سامانه دیجیتال تعمیرکاران خودرو در ایران





63 - INTERIOR

1 - Roof Assembly (w/o Sunroof)	2 - Roof Assembly (w/ Sunroof)
3 - Rear Right Passenger Grip Assembly	4 - Front Right Passenger Grip Assembly
5 - Rear Left Passenger Grip Assembly	6 - Right Sun Visor Holder B
7 - Right Sun Visor Assembly	8 - Left Sun Visor Holder B
9 - Left Sun Visor Assembly	10 - Interior Front Dome Light Assembly
11 - Interior Front Dome Light Cover	12 - Center Seat Belt Outer Trim Cover

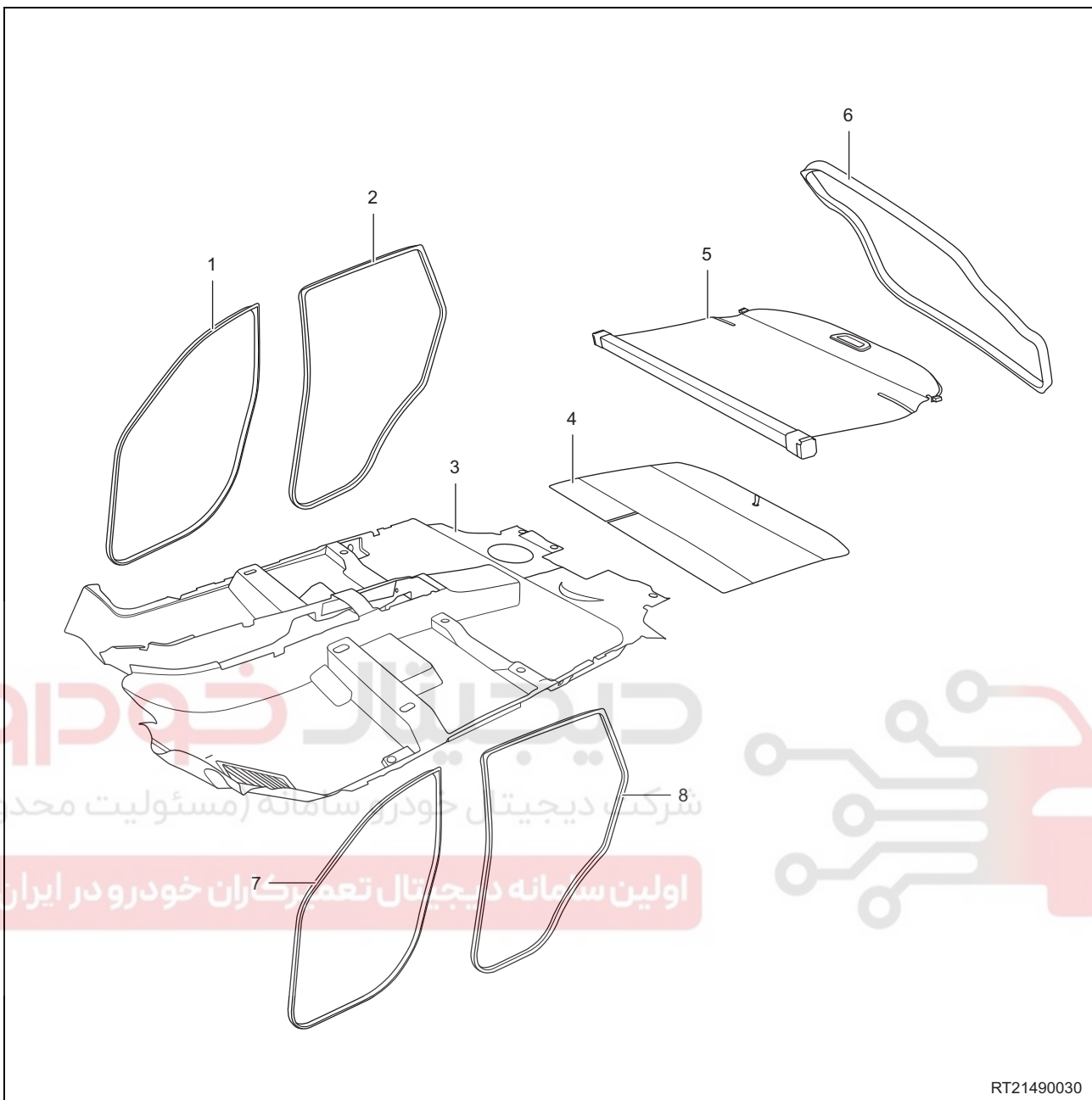
63

دیجیتال خودرو

شرکت دیجیتال خودرو سامانه (مسئولیت محدود)

اولین سامانه دیجیتال تعمیرکاران خودرو در ایران





63

RT21490030

1 - Front Right Door Opening Weatherstrip	2 - Rear Right Door Opening Weatherstrip
3 - Front Floor Carpet Assembly	4 - Luggage Compartment Carpet Assembly
5 - Tonneau Cover Assembly	6 - Back Door Weatherstrip
7 - Front Left Door Opening Weatherstrip	8 - Rear Left Door Opening Weatherstrip

The interior includes following parts: roof assembly, door scuff plate assembly, doorsill pressure plate assembly, sun visor assembly, door opening weatherstrip, passenger grip assembly, pillar protector assembly, tonneau cover assembly and carpet assembly, etc.

Specifications

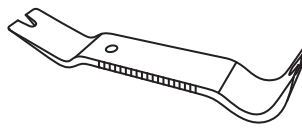
Torque Specifications

Description	Torque (N·m)
A-pillar Lower Protector Assembly Fixing Nut	5 ± 1
B-pillar Upper Protector Assembly Fixing Screw	1.5 ± 1
Back Door Baffle Plate Assembly Fixing Screw	1.5 ± 1
Back Door Baffle Plate Assembly Fixing Nut	1.5 ± 1
C-pillar Lower Protector Assembly Fixing Screw	1.5 ± 1
C-pillar Upper Protector Assembly Fixing Screw	1.5 ± 1
Sun Visor Assembly Fixing Screw	3 ± 0.5
Sun Visor Holder B Fixing Screw	3 ± 0.5
Front Seat Belt Assembly Lower Fixing Bolt	50 ± 5
Rear Seat Belt Lower Fixing Bolt	50 ± 5
Passenger Grip Assembly Fixing Bolt	5 ± 1
Interior Front Dome Light Assembly Fixing Screw	1.5 ± 0.5
Interior Rear Dome Light Assembly Fixing Screw	1.5 ± 0.5
High Pitched Speaker Fixing Screw	3 ± 0.5
Fuel Tank Opening Bracket Assembly Fixing Bolt	10 ± 1
Ground Wire Harness Fixing Nut	15 ± 2

63

Tool

General Tool

Interior Crow Plate	 <p>RCH0000025</p>
---------------------	--

ON-VEHICLE SERVICE

Front Door Scuff Plate Assembly

Removal

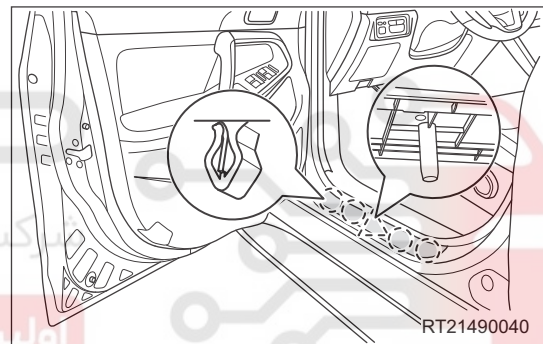
HINT:

- Use the same procedures for the right side and left side.
- Procedures listed below are for the left side.

CAUTION

- Make sure to wear safety equipment to prevent accidents when removing the front door scuff plate assembly.
- Appropriate force should be applied when removing the front door scuff plate assembly. Be careful not to operate roughly.
- Prevent interior and body paint from being scratched when removing the front door scuff plate assembly.

1. Remove the front left door scuff plate assembly.
 - a. Using an interior crow plate, pry up the claws of front door scuff plate assembly, and remove the front left door scuff plate assembly.



63

Installation

Installation is in the reverse order of removal.

CAUTION

- Make sure front door scuff plate assembly is installed in place during installation.

Rear Door Scuff Plate Assembly

Removal

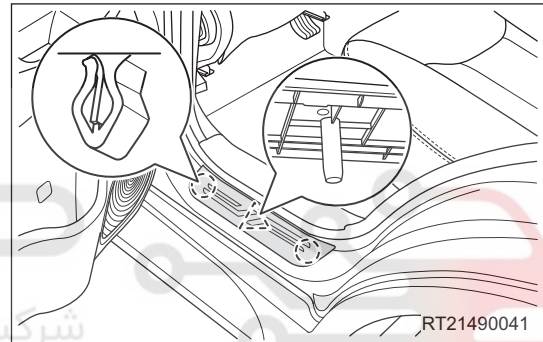
HINT:

- Use the same procedures for the right side and left side.
- Procedures listed below are for the left side.

CAUTION

- Make sure to wear safety equipment to prevent accidents when removing the rear door scuff plate assembly.
- Appropriate force should be applied when removing the rear door scuff plate assembly. Be careful not to operate roughly.
- Prevent interior and body paint from being scratched when removing the rear door scuff plate assembly.

1. Remove the rear left door scuff plate assembly.
 - a. Using an interior crow plate, pry up the claws of rear door scuff plate assembly, and remove the rear left door scuff plate assembly.



63

Installation

Installation is in the reverse order of removal.

CAUTION

- Make sure rear door scuff plate assembly is installed in place during installation.

Front Doorsill Pressure Plate Assembly

Removal

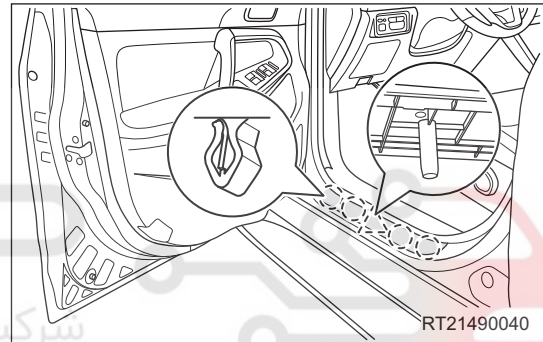
HINT:

- Use the same procedures for the right side and left side.
- Procedures listed below are for the left side.

CAUTION

- Make sure to wear safety equipment to prevent accidents when removing the front door scuff plate assembly.
- Appropriate force should be applied when removing the front door scuff plate assembly. Be careful not to operate roughly.
- Prevent interior and body paint from being scratched when removing the front door scuff plate assembly.

1. Remove the front left doorsill pressure plate assembly.
 - a. Using an interior crow plate, pry up the claws of front doorsill pressure plate assembly, and remove the front left doorsill pressure plate assembly.



63

Installation

Installation is in the reverse order of removal.

CAUTION

- Make sure front doorsill pressure plate assembly is installed in place during installation.
- Make sure to check the fitting gap between front doorsill pressure plate assembly and B-pillar lower protector assembly, A-pillar lower protector assembly for uniformity after installing front doorsill pressure plate assembly.

Rear Doorsill Pressure Plate Assembly

Removal

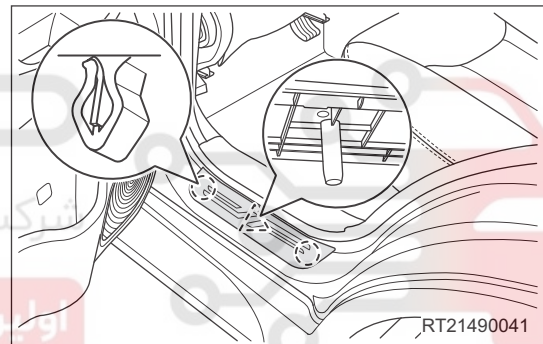
HINT:

- Use the same procedures for the right side and left side.
- Procedures listed below are for the left side.

CAUTION

- Make sure to wear safety equipment to prevent accidents when removing the rear doorsill pressure plate assembly.
- Appropriate force should be applied when removing the rear doorsill pressure plate assembly. Be careful not to operate roughly.
- Prevent interior and body paint from being scratched when removing the rear doorsill pressure plate assembly.

1. Turn off all the electrical equipment and ignition switch.
2. Disconnect the negative battery cable.
3. Remove rear left doorsill pressure plate assembly.
 - a. Using an interior crow plate, pry up the claws of rear doorsill pressure plate assembly, and remove the rear left doorsill pressure plate assembly.



Installation

Installation is in the reverse order of removal.

CAUTION

- Make sure rear doorsill pressure plate assembly is installed in place during installation.
- Make sure to check the fitting gap between rear doorsill pressure plate assembly and B-pillar lower protector assembly, C-pillar lower protector assembly for uniformity after installing the rear doorsill pressure plate assembly.

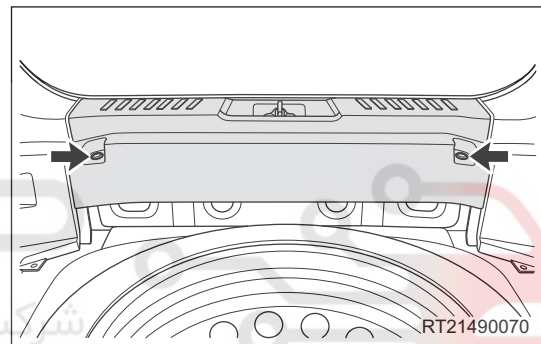
Back Doorsill Pressure Plate Assembly

Removal

CAUTION

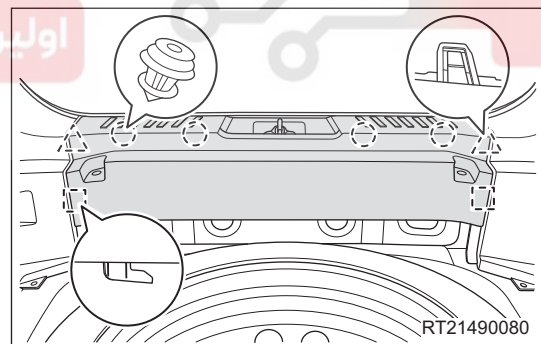
- Make sure to wear safety equipment to prevent accidents when removing the back doorsill pressure plate assembly.
- Appropriate force should be applied when removing the back doorsill pressure plate assembly. Be careful not to operate roughly.
- Prevent interior and body paint from being scratched when removing the back doorsill pressure plate assembly.

1. Remove the back door weatherstrip (See page 63-16).
2. Remove the luggage compartment carpet assembly (See page 63-35).
3. Remove the back doorsill pressure plate assembly.
 - a. Remove 2 plastic clips (arrow) from the back doorsill pressure plate assembly.



63

- b. Using an interior crow plate, pry off the clips from the back doorsill pressure plate assembly and remove the back doorsill pressure plate assembly.



Installation

Installation is in the reverse order of removal.

CAUTION

- Make sure damaged clips are replaced and back doorsill pressure plate assembly is installed in place when installing back doorsill pressure plate assembly.

Front Door Opening Weatherstrip

Removal

HINT:

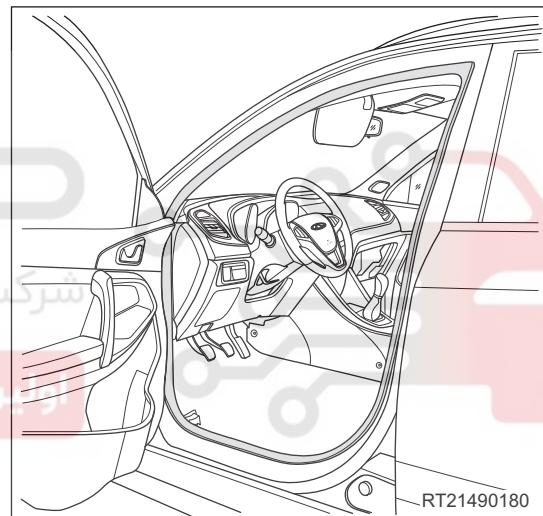
- Use the same procedures for the right side and left side.
- Procedures listed below are for the left side.

CAUTION

- Make sure to wear safety equipment to prevent accidents when removing the front door opening weatherstrip.
- Appropriate force should be applied when removing the front door opening weatherstrip, and avoid operating roughly.
- DO NOT damage the front door opening weatherstrip when removing it.

1. Remove the front left doorsill pressure plate assembly (See page 63-11).
2. Remove the front left door opening weatherstrip.
 - a. Remove the front left door opening weatherstrip by gently pulling it along edges from one corner of the front door opening weatherstrip.

63



Installation

Installation is in the reverse order of removal.

CAUTION

- The front door opening weatherstrip and body should be properly fitted with a certain degree of gripping force and the weatherstrip should not fall off easily when installing the front door opening weatherstrip.
- When installing the front door opening weatherstrip, tap all around uniformly with a rubber hammer to install it in place. The surface of weatherstrip should have no defects, such as tapped dents, deformation and warpage after installation.
- After installing the front door opening weatherstrip, do not remove or install it unless it is necessary. Otherwise the weatherstrip holding force of installation may be reduced.

Rear Door Opening Weatherstrip

Removal

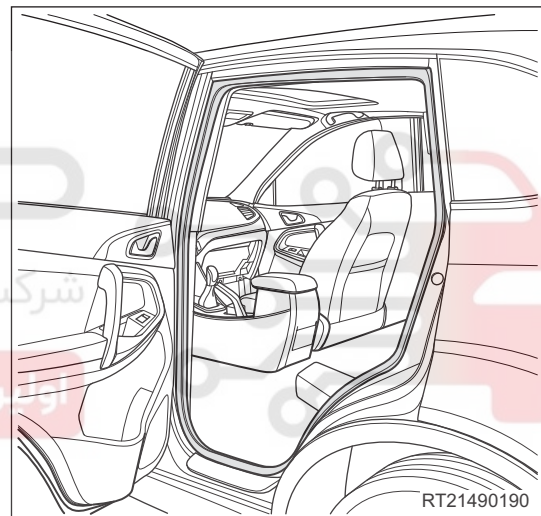
HINT:

- Use the same procedures for the right side and left side.
- Procedures listed below are for the left side.

CAUTION

- Make sure to wear safety equipment to prevent accidents when removing the rear door opening weatherstrip.
- Appropriate force should be applied when removing the rear door opening weatherstrip, and avoid operating roughly.
- DO NOT damage the rear door opening weatherstrip when removing it.

1. Remove the rear left doorsill pressure plate assembly (See page 63-12).
2. Remove the rear left door opening weatherstrip.
 - a. Remove the rear left door opening weatherstrip by gently pulling it along edges from one corner of the rear door opening weatherstrip.



63

Installation

Installation is in the reverse order of removal.

CAUTION

- The rear door opening weatherstrip and body should be properly fitted with a certain degree of gripping force and the weatherstrip should not fall off easily when installing the rear door opening weatherstrip.
- When installing the rear door opening weatherstrip, tap all around uniformly with a rubber hammer to install it in place. The surface of weatherstrip should have no defects, such as tapped dents, deformation and warpage after installation.
- After installing the rear door opening weatherstrip, do not remove or install it unless it is necessary; or the weatherstrip holding force of installation may be reduced.

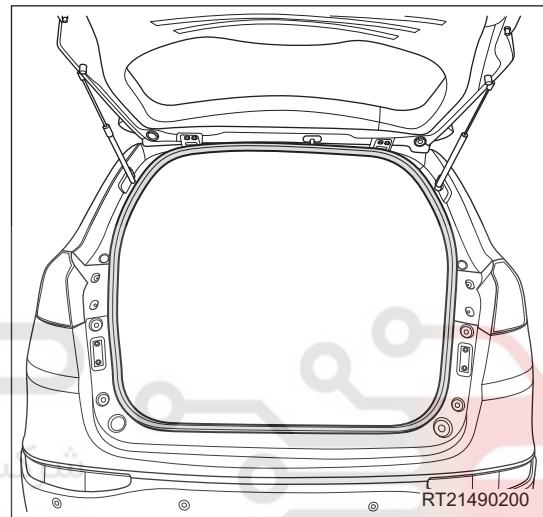
Back Door Weatherstrip

Removal

CAUTION

- Make sure to wear safety equipment to prevent accidents when removing the back door weatherstrip.
- Appropriate force should be applied when removing the back door weatherstrip, and avoid operating roughly.
- DO NOT damage the back door weatherstrip when removing it.

1. Remove the back door weatherstrip.
 - a. Remove the back door weatherstrip by gently pulling it along edges from one corner of the back door weatherstrip.



Installation

Installation is in the reverse order of removal.

CAUTION

- The back door weatherstrip and body should be properly fitted with a certain degree of gripping force and the weatherstrip should not fall off easily when installing the back door weatherstrip.
- When installing the back door weatherstrip, tap all around uniformly with a rubber hammer to install it in place. The surface of weatherstrip should have no defects, such as tapped dents, deformation and warpage after installation.
- After installing the back door weatherstrip, do not remove or install it unless it is necessary; or the weatherstrip holding force of installation may be reduced.

A-pillar Upper Protector Assembly

Removal

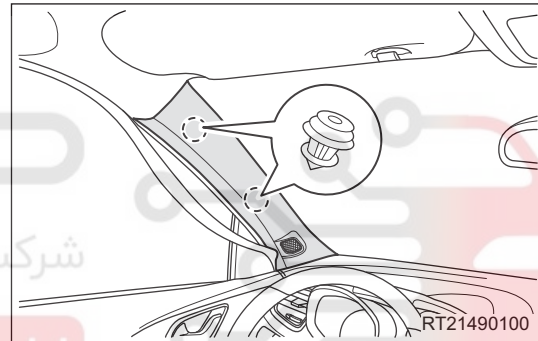
HINT:

- Use the same procedures for the right side and left side.
- Procedures listed below are for the left side.

CAUTION

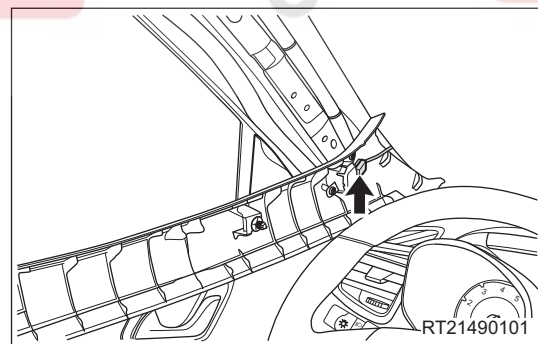
- Make sure to wear safety equipment to prevent accidents when removing the A-pillar upper protector assembly.
- Appropriate force should be applied when removing the A-pillar upper protector assembly. Be careful not to operate roughly.
- Prevent interior and body paint from being scratched when removing the A-pillar upper protector assembly.

1. Remove the front left door opening weatherstrip (See page 63-14).
2. Remove the left A-pillar upper protector assembly.
 - a. Using an interior crow plate, pry off the clips from the A-pillar upper protector assembly.

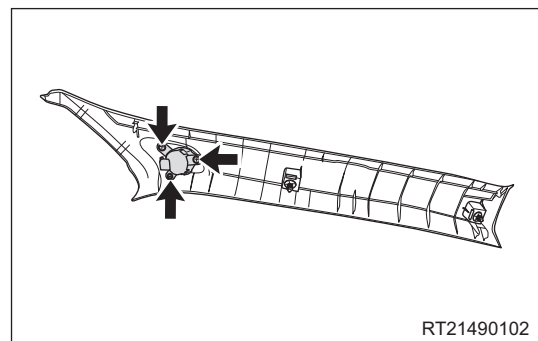


63

- b. Disconnect the high pitched speaker connector (arrow), and remove the left A-pillar protector assembly.



- c. Remove 3 fixing screws (arrow) from the high pitched speaker assembly. (Tightening torque: $3 \pm 0.5 \text{ N}\cdot\text{m}$)
- d. Remove the high pitched speaker assembly from the A-pillar protector assembly.



Installation

Installation is in the reverse order of removal.

CAUTION

- Make sure damaged clips are replaced and A-pillar upper protector assembly is installed in place when installing A-pillar upper protector assembly.
- A-pillar upper protector assembly and front door opening weatherstrip should be fitted closely after installing A-pillar upper protector assembly.
- A-pillar upper protector assembly and instrument panel and roof headlining should be fitted closely after installing A-pillar upper protector assembly.

دیجیتال خودرو

شرکت دیجیتال خودرو سامانه (مسئولیت محدود)

اولین سامانه دیجیتال تعمیرکاران خودرو در ایران



A-pillar Lower Protector Assembly

Removal

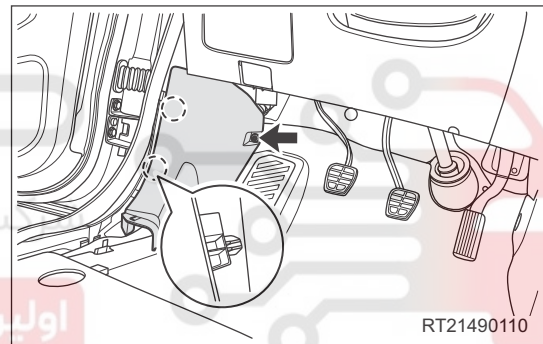
HINT:

- Use the same procedures for the right side and left side.
- Procedures listed below are for the left side.

CAUTION

- Make sure to wear safety equipment to prevent accidents when removing the A-pillar lower protector assembly.
- Appropriate force should be applied when removing the A-pillar lower protector assembly. Be careful not to operate roughly.
- Prevent interior and body paint from being scratched when removing the A-pillar lower protector assembly.

1. Remove the front left doorsill pressure plate assembly (See page 63-11).
2. Remove the front left door opening weatherstrip (See page 63-14).
3. Remove the left A-pillar lower protector assembly.
 - a. Remove the fixing nut (arrow) from the A-pillar lower protector assembly.
(Tightening torque: 5 ± 1 N·m)
 - b. Using an interior crow plate, pry up the claws of A-pillar lower protector assembly, and remove the A-pillar lower protector assembly.



63

Installation

Installation is in the reverse order of removal.

CAUTION

- A-pillar lower protector assembly and front door opening weatherstrip should be fitted closely after installing A-pillar lower protector assembly.

B-pillar Lower Protector Assembly

Removal

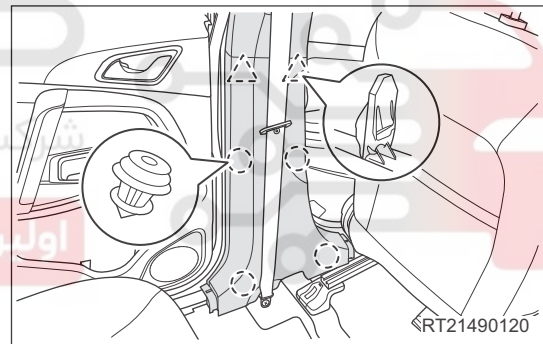
HINT:

- Use the same procedures for the right side and left side.
- Procedures listed below are for the left side.

CAUTION

- Make sure to wear safety equipment to prevent accidents when removing the B-pillar lower protector assembly.
- Appropriate force should be applied when removing the B-pillar lower protector assembly. Be careful not to operate roughly.
- Prevent interior and body paint from being scratched when removing the B-pillar lower protector assembly.

1. Remove the front left doorsill pressure plate assembly (See page 63-11).
2. Remove the front left door opening weatherstrip (See page 63-14).
3. Remove the rear left doorsill pressure plate assembly (See page 63-12).
4. Remove the rear left door opening weatherstrip (See page 63-15).
5. Remove the left B-pillar lower protector assembly.
 - a. Using an interior crow plate, pry off the clips from the B-pillar protector assembly, and remove the left B-pillar lower protector assembly.



Installation

Installation is in the reverse order of removal.

CAUTION

- Make sure damaged clips are replaced and B-pillar lower protector assembly is installed in place when installing B-pillar lower protector assembly.
- B-pillar lower protector assembly and front and rear door opening weatherstrips should be fitted closely after installing B-pillar lower protector assembly.
- B-pillar lower protector assembly and front and rear doorsill pressure plate assemblies should be fitted closely after installing B-pillar lower protector assembly.

B-pillar Upper Protector Assembly

Removal

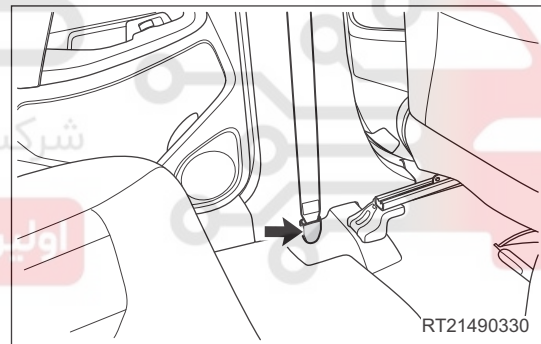
HINT:

- Use the same procedures for the right side and left side.
- Procedures listed below are for the left side.

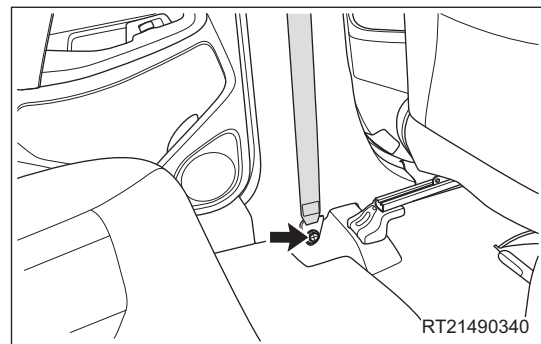
CAUTION

- Make sure to wear safety equipment to prevent accidents when removing the B-pillar upper protector assembly.
- Appropriate force should be applied when removing the B-pillar upper protector assembly. Be careful not to operate roughly.
- Prevent interior and body paint from being scratched when removing the B-pillar upper protector assembly.

1. Remove the front left doorsill pressure plate assembly (See page 63-11).
2. Remove the front left door opening weatherstrip (See page 63-14).
3. Remove the rear left doorsill pressure plate assembly (See page 63-12).
4. Remove the rear left door opening weatherstrip (See page 63-15).
5. Loosen the lower part of front seat belt assembly.
 - a. Using a screwdriver wrapped with protective tape, pry off the front seat belt assembly lower bolt protective cap (arrow).



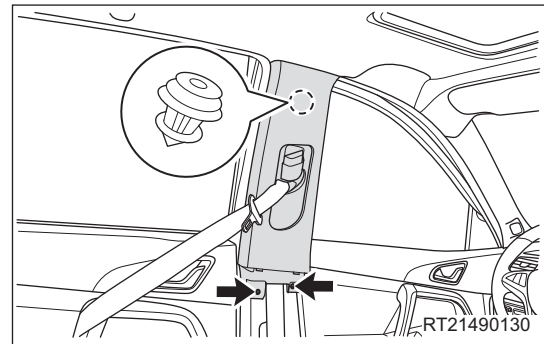
- b. Remove the fixing bolt (arrow) from the lower part of front seat belt assembly.
(Tightening torque: 50 ± 5 N·m)



6. Remove the left B-pillar lower protector assembly (See page 63-20).

63 - INTERIOR

7. Remove the left B-pillar upper protector assembly.
 - a. Remove 2 fixing screws (arrow) from the B-pillar upper protector assembly.
(Tightening torque: $1.5 \pm 1 \text{ N}\cdot\text{m}$)
 - b. Using an interior crow plate, pry off the clip from the B-pillar upper protector assembly, pull out the front seat belt from the B-pillar upper protector assembly, and remove the left B-pillar upper protector assembly.



Installation

Installation is in the reverse order of removal.

CAUTION

- Make sure damaged clip are replaced and B-pillar upper protector assembly is installed in place when installing B-pillar upper protector assembly.
- B-pillar upper protector assembly and front and rear door opening weatherstrips should be fitted closely after installing B-pillar upper protector assembly.
- B-pillar upper protector assembly and B-pillar lower protector assembly and roof headlining should be fitted closely after installing B-pillar upper protector assembly.

63

دیجیتال خودرو
شرکت دیجیتال خودرو سامانه (مسئولیت محدود)

اولین سامانه دیجیتال تعمیرکاران خودرو در ایران

C-pillar Lower Protector Assembly

Removal

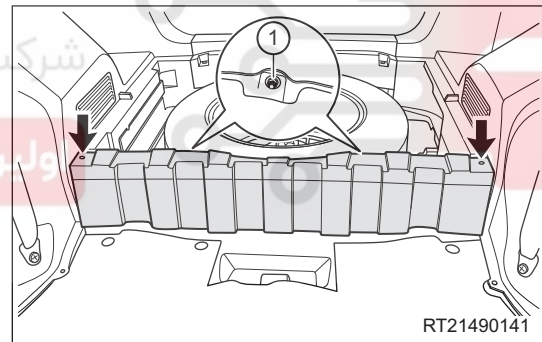
HINT:

- Use the same procedures for the right side and left side.
- Procedures listed below are for the left side.

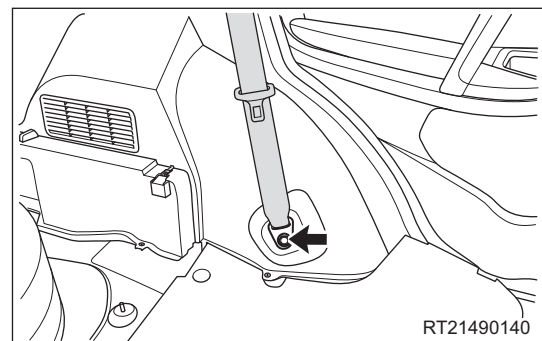
CAUTION

- Make sure to wear safety equipment to prevent accidents when removing the C-pillar lower protector assembly.
- Appropriate force should be applied when removing the C-pillar lower protector assembly. Be careful not to operate roughly.
- Prevent interior and body paint from being scratched when removing the C-pillar lower protector assembly.

1. Remove the rear left doorsill pressure plate assembly (See page 63-12).
2. Remove the rear left door opening weatherstrip (See page 63-15).
3. Remove the luggage compartment carpet assembly (See page 63-35).
4. Remove the rear left seat assembly (See page 60-26).
5. Remove the back door weatherstrip (See page 63-16).
6. Remove the back doorsill pressure plate assembly (See page 63-13).
7. Remove the back door baffle plate assembly.
 - a. Remove 2 fixing nuts (1) from the back door baffle plate assembly.
(Tightening torque: $1.5 \pm 1 \text{ N}\cdot\text{m}$)
 - b. Remove 2 fixing screws (arrow) from the back door baffle plate assembly and remove the back door baffle plate assembly.
(Tightening torque: $1.5 \pm 1 \text{ N}\cdot\text{m}$)

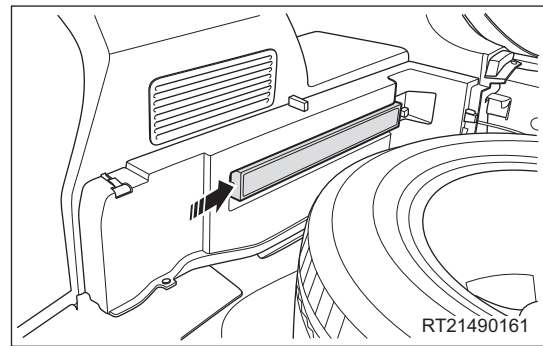


8. Remove the left C-pillar lower protector assembly.
 - a. Remove the fixing bolt (arrow) from the lower part of front seat belt.
(Tightening torque: $50 \pm 5 \text{ N}\cdot\text{m}$)

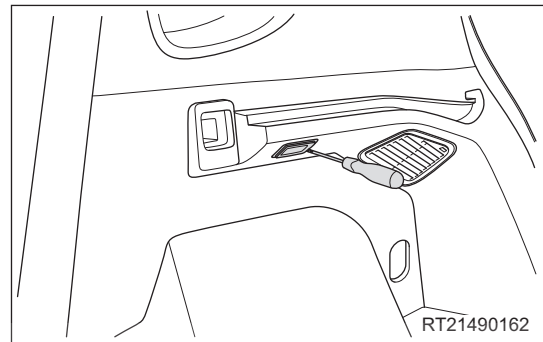


63 - INTERIOR

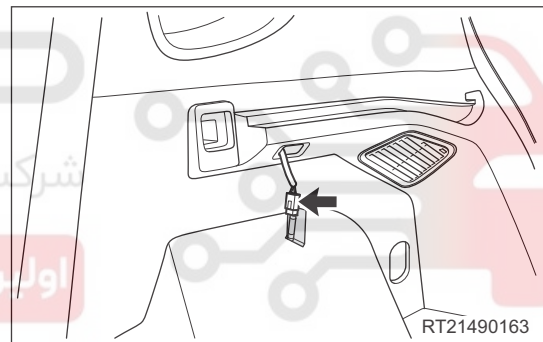
- b. Remove the warning triangle box (for right side) in the direction of arrow as shown in the illustration.



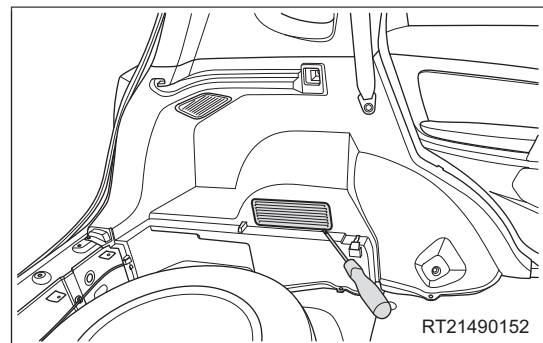
- c. Using a screwdriver wrapped with protective tape, pry off the back door light cover (for right side).



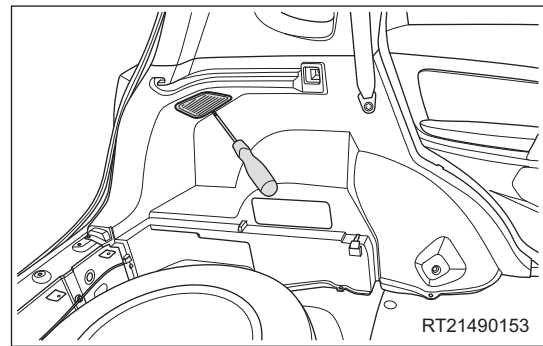
- d. Disconnect the back door light connector (arrow) and remove the back door light.



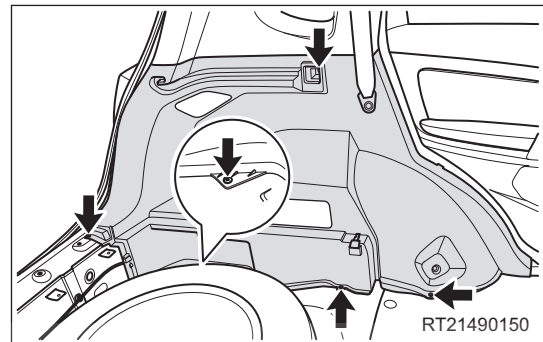
- e. Using a screwdriver wrapped with protective tape, pry off the rear shock absorber service cover and remove the rear shock absorber service cover.



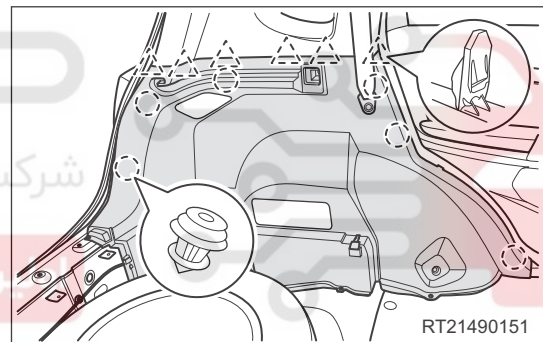
- f. Using a screwdriver wrapped with protective tape, pry off the rear combination light service cover and remove the rear combination light service cover.



- g. Remove 5 fixing screws (arrow) from the C-pillar lower protector assembly.
(Tightening torque: $1.5 \pm 1 \text{ N}\cdot\text{m}$)



- h. Using an interior crow plate, pry off the clips from the C-pillar lower protector assembly, and remove the left C-pillar lower protector assembly.



Installation

Installation is in the reverse order of removal.

CAUTION

- Make sure the damaged clips are replaced and the C-pillar lower protector assembly is installed in place when installing the C-pillar lower protector assembly.
- The C-pillar lower protector assembly, C-pillar upper protector and rear door opening weatherstrip should be fitted closely after installing the C-pillar lower protector assembly.

C-pillar Upper Protector Assembly

Removal

HINT:

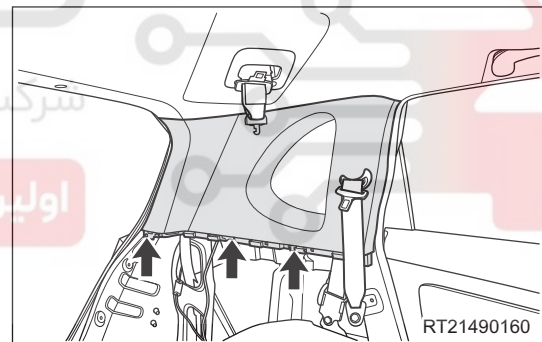
- Use the same procedures for the right side and left side.
- Procedures listed below are for the left side.

CAUTION

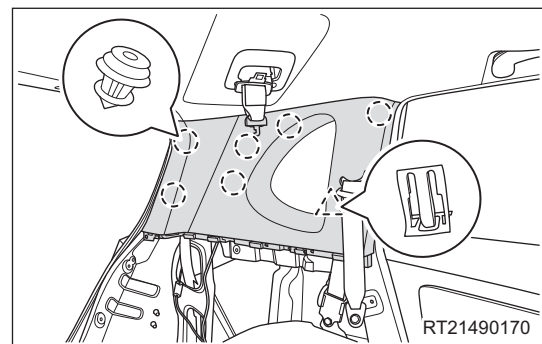
- Make sure to wear safety equipment to prevent accidents when removing the C-pillar upper protector assembly.
- Appropriate force should be applied when removing the C-pillar upper protector assembly. Be careful not to operate roughly.
- Prevent interior and body paint from being scratched when removing the C-pillar upper protector assembly.

63

1. Remove the rear left doorsill pressure plate assembly (See page 63-12).
2. Remove the rear left door opening weatherstrip (See page 63-15).
3. Remove the luggage compartment carpet assembly (See page 63-35).
4. Remove the rear left seat assembly (See page 60-26).
5. Remove the left C-pillar lower protector assembly (See page 63-23).
6. Remove the left C-pillar upper protector assembly.
 - a. Remove 3 fixing screws (arrow) from the C-pillar upper protector assembly.
(Tightening torque: $1.5 \pm 1 \text{ N}\cdot\text{m}$)



- b. Using an interior crow plate, pry off the clips from the C-pillar upper protector assembly, pull out the rear seat belt from the C-pillar upper protector assembly, and remove the left C-pillar upper protector assembly.



Installation

Installation is in the reverse order of removal.

CAUTION

- Make sure damaged clips are replaced and C-pillar upper protector assembly is installed in place when installing C-pillar upper protector assembly.
- C-pillar upper protector assembly and rear door opening weatherstrip should be fitted closely after installing C-pillar upper protector assembly.
- C-pillar upper protector assembly, C-pillar lower protector assembly and roof headlining should be fitted closely after installing C-pillar upper protector assembly.

دیجیتال خودرو

شرکت دیجیتال خودرو سامانه (مسئولیت محدود)

اولین سامانه دیجیتال تعمیرکاران خودرو در ایران



Sun Visor Assembly

Removal

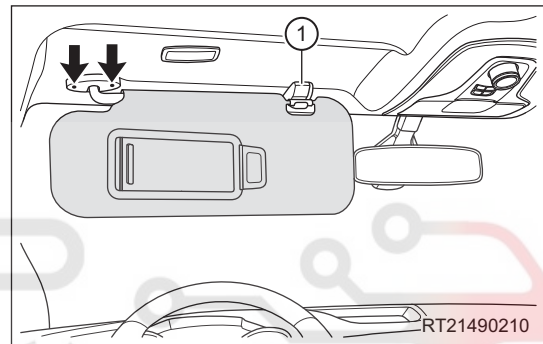
HINT:

- Use the same procedures for the right side and left side.
- Procedures listed below are for the left side.

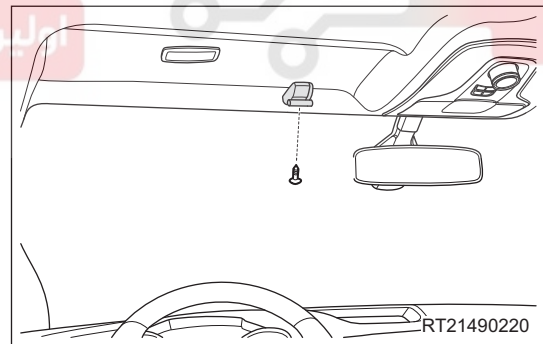
CAUTION

- Make sure to wear safety equipment to prevent accidents when removing the sun visor assembly.
- Appropriate force should be applied when removing the sun visor assembly. Be careful not to operate roughly.
- Avoid damage to the interior and roof when removing the sun visor assembly.

1. Remove the left sun visor assembly.
 - a. Disengage one side of the sun visor assembly from holder B (1).
 - b. Remove 2 fixing screws (arrow) from the sun visor assembly.
(Tightening torque: $3 \pm 0.5 \text{ N}\cdot\text{m}$)
 - c. Remove the left sun visor assembly.



2. Remove the left sun visor holder B.
 - a. Remove the fixing screw from the sun visor holder B.
(Tightening torque: $3 \pm 0.5 \text{ N}\cdot\text{m}$)
 - b. Remove the left sun visor holder B.



Installation

Installation is in the reverse order of removal.

CAUTION

- Make sure to wear safety equipment to prevent accidents when installing the sun visor assembly.
- Avoid damage to the interior and roof when installing the sun visor assembly.

Passenger Grip Assembly

Removal

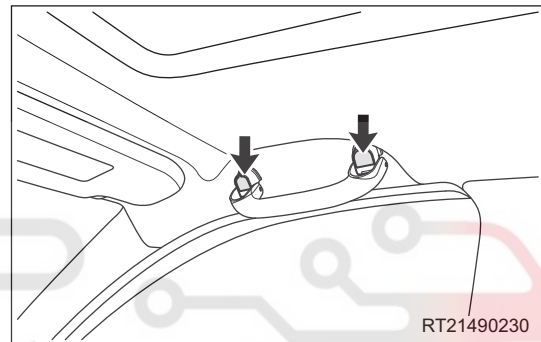
HINT:

- Use the same procedures for rear left/rear right side and front right side.
- Procedures listed below are for the front right side.

CAUTION

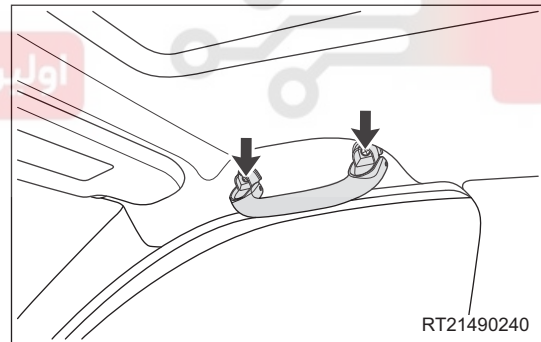
- Make sure to wear safety equipment to prevent accidents when removing the passenger grip assembly.
- Appropriate force should be applied when removing the passenger grip assembly. Be careful not to operate roughly.
- Avoid damage to the interior and roof when removing the passenger grip assembly.

1. Remove the front right passenger grip assembly.
 - a. Using a screwdriver wrapped with protective tape, remove the passenger grip covers (arrow).



63

- b. Remove 2 fixing screws (arrow) from the passenger grip assembly, and remove the front right passenger grip assembly. (Tightening torque: 5 ± 1 N·m)



Installation

Installation is in the reverse order of removal.

CAUTION

- Make sure to wear safety equipment to prevent accidents when installing the passenger grip assembly.
- Avoid damage to the interior and roof when installing the passenger grip assembly.

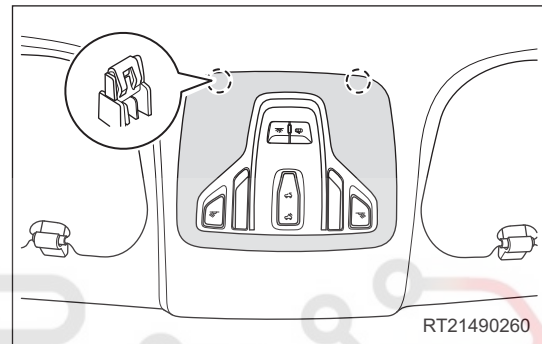
Roof Assembly

Removal

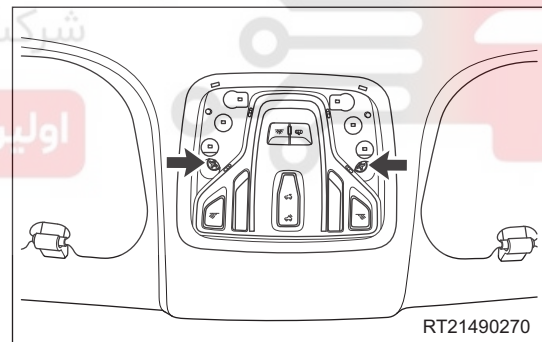
CAUTION

- Make sure to wear safety equipment to prevent accidents when removing the roof assembly.
- Appropriate force should be applied when removing the roof assembly. Be careful not to operate roughly.
- Avoid damage to the interior and body paint when removing the roof assembly.

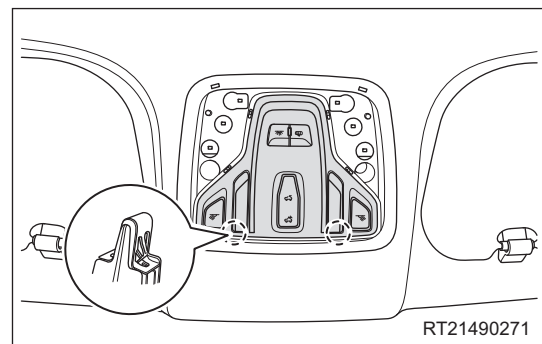
1. Turn off all the electrical equipment and ignition switch.
2. Disconnect the negative battery cable.
3. Remove the interior front dome light assembly.
 - a. Using a screwdriver wrapped with protective tape, remove the interior front dome light cover.



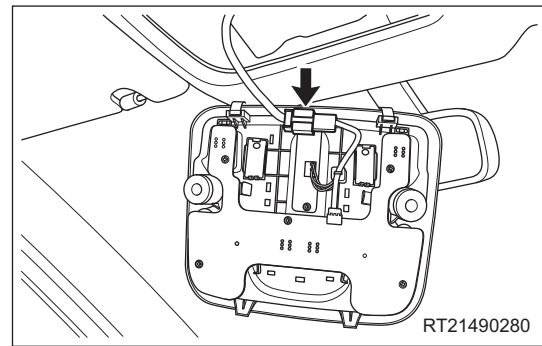
- b. Remove 2 fixing screws (arrow) from the interior front dome light assembly.
(Tightening torque: $1.5 \pm 0.5 \text{ N}\cdot\text{m}$)



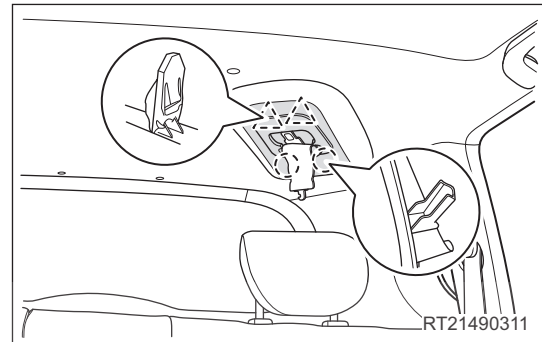
- c. Remove the front dome light assembly.



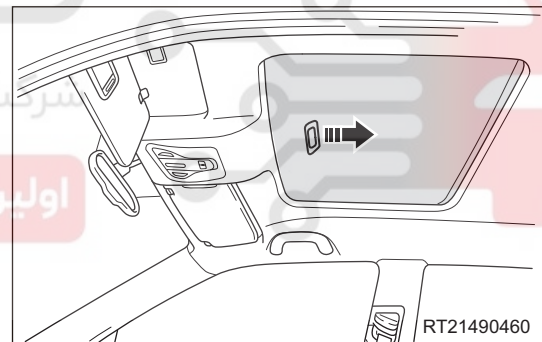
- d. Disconnect the interior front dome light connector (arrow), and remove the interior front dome light assembly.



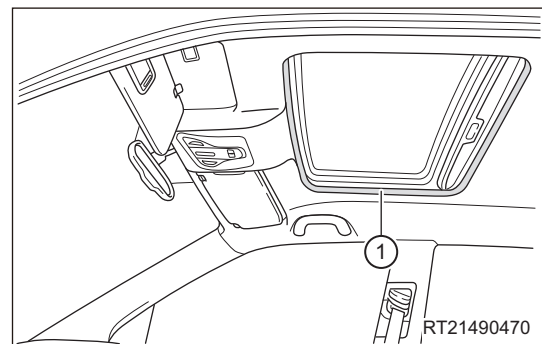
4. Remove the center seat belt outer trim cover.
- a. Using a screwdriver wrapped with protective tape, pry up the clips of center seat belt outer trim cover, and remove the center seat belt outer trim cover.



5. Remove the sunroof weatherstrip (if equipped).
- a. Open the sunroof in the direction of arrow as shown in the illustration.



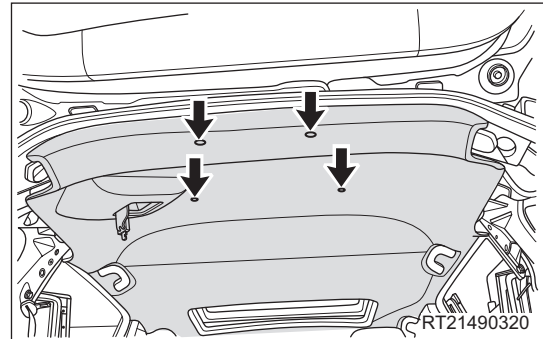
- b. Remove the sunroof weatherstrip (1) by gently pulling it along edges from one corner of the sunroof weatherstrip.



6. Remove the sun visor assembly (See page 63-28).
7. Remove the passenger grip assembly (See page 63-29).
8. Remove the front doorsill pressure plate assembly (See page 63-11).
9. Remove the front door opening weatherstrip (See page 63-14).
10. Remove the rear doorsill pressure plate assembly (See page 63-12).

63 - INTERIOR

11. Remove the rear door opening weatherstrip (See page 63-15).
12. Remove the A-pillar upper protector assembly (See page 63-17).
13. Remove the B-pillar upper protector assembly (See page 63-21).
14. Remove the C-pillar upper protector assembly (See page 63-26).
15. Remove the roof assembly.
 - a. Remove 4 clips (arrow) from the roof assembly.



- b. Take out the roof assembly from the back door.

Installation

63

Installation is in the reverse order of removal.

CAUTION

- Make sure damaged clips are replaced and roof assembly is installed in place when installing roof assembly.
- Roof assembly and pillar upper protectors should be fitted closely when installing roof assembly.
- Roof assembly and door opening weatherstrips should be fitted closely after installing roof assembly.

اولین سامانه دیجیتال تعمیرکاران خودرو در ایران

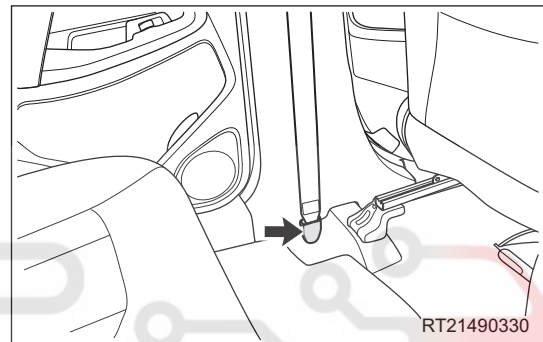
Front Floor Carpet Assembly

Removal

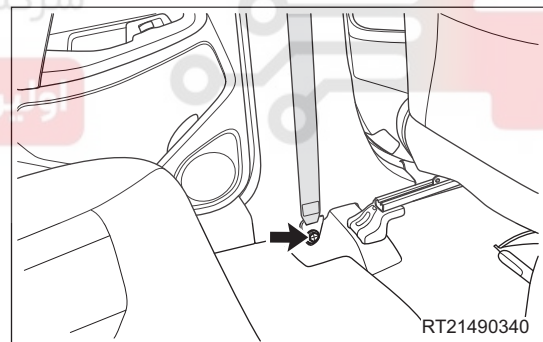
CAUTION

- Make sure to wear safety equipment to prevent accidents when removing the front floor carpet assembly.
- Appropriate force should be applied when removing the front floor carpet assembly. Be careful not to operate roughly.
- Avoid damage to the interior and body paint when removing the front floor carpet assembly.

1. Turn off all the electrical equipment and ignition switch.
2. Disconnect the negative battery cable.
3. Loosen the lower part of front seat belt assembly.
 - a. Using a screwdriver wrapped with protective tape, pry up the front seat belt assembly lower bolt protective cap (arrow).



- b. Remove the fixing bolt (arrow) from the lower part of front seat belt assembly.
(Tightening torque: 50 ± 5 N·m)

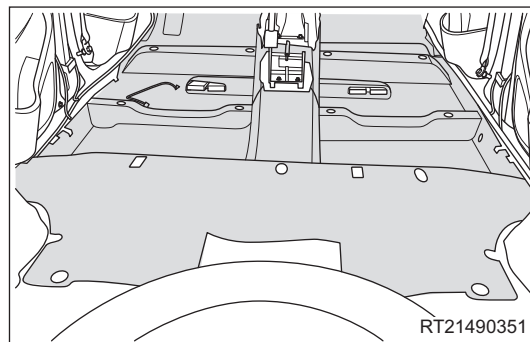


4. Remove the auxiliary fascia console assembly (See page 59-9).
5. Remove the front seat assembly (See page 60-13).
6. Remove the rear seat assembly (See page 60-26).
7. Remove the front doorsill pressure plate assembly (See page 63-11).
8. Remove the front door opening weatherstrip (See page 63-14).
9. Remove the rear doorsill pressure plate assembly (See page 63-12).
10. Remove the rear door opening weatherstrip (See page 63-15).
11. Remove the A-pillar lower protector assembly (See page 63-19).
12. Remove the B-pillar lower protector assembly (See page 63-20).

63 - INTERIOR

13. Remove the front floor carpet assembly.

- a. Take out the front floor carpet assembly from the back door.

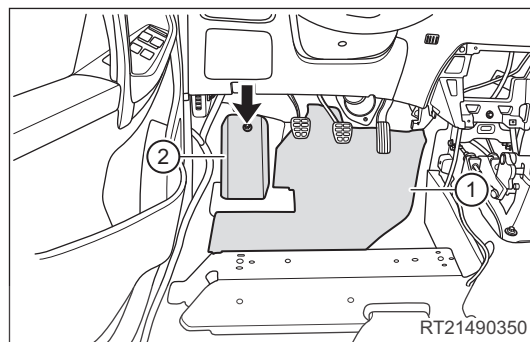


14. Remove the front left floor shock pad assembly (take left side as an example).

- a. Remove the front left shock pad assembly (1) from the front floor.

15. Remove the driver side foot rest assembly.

- a. Rotate the clip (arrow) on the driver side foot rest assembly counterclockwise.
- b. Remove the driver side foot rest assembly (2).



63

Installation

Installation is in the reverse order of removal.

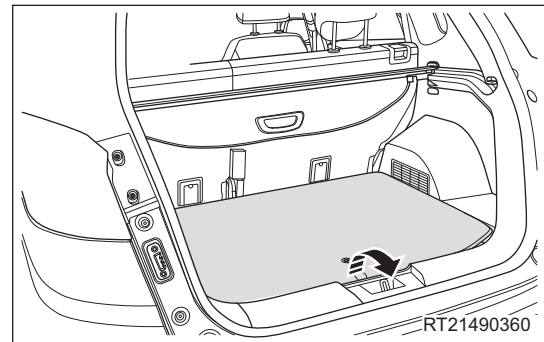
CAUTION

- Always pay attention to the flatness around front floor carpet assembly and the routing of relative body wire harness when installing the front floor carpet assembly.
- Spread the front floor carpet assembly according to the bottom shape without obvious bumps and unevenness. Expose the seat installation holes, and the front floor carpet should be firmly abutted against the bottom.

Luggage Compartment Carpet Assembly

Removal

1. Remove the luggage compartment carpet assembly.
 - a. Lift up the band in the rear center part of luggage compartment carpet and remove the luggage compartment carpet assembly by pulling it outward.



Installation

Installation is in the reverse order of removal.

CAUTION

- Make sure that the left and right sides of luggage compartment carpet are fitted in place after installing the luggage compartment carpet assembly.

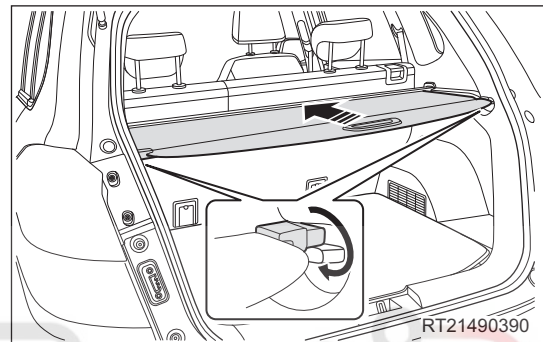
Tonneau Cover Assembly

Removal

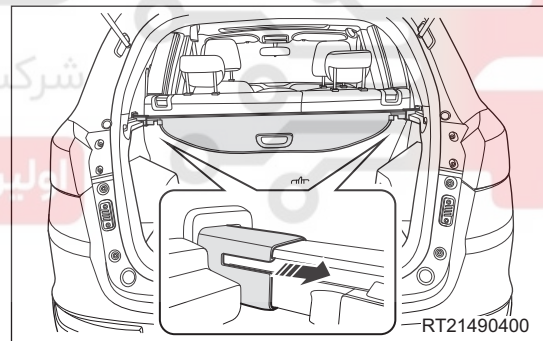
CAUTION

- Make sure to wear safety equipment to prevent accidents when removing the tonneau cover assembly.
- Appropriate force should be applied when removing the tonneau cover assembly. Be careful not to operate roughly.
- Prevent interior and body paint from being scratched when removing the tonneau cover assembly.

1. Remove the tonneau cover assembly.
 - a. Release the clamping part in the direction of arrow as shown in the illustration to retract the tonneau cover.



- b. Retract both ends of the tonneau cover assembly in the direction of arrow as shown in the illustration, and remove the tonneau cover assembly.



Installation

Installation is in the reverse order of removal.

CAUTION

- Prevent interior and body paint from being scratched when installing the tonneau cover assembly.
- The tonneau cover assembly and C-pillar lower protector assembly should be fitted closely when installing the tonneau cover assembly.

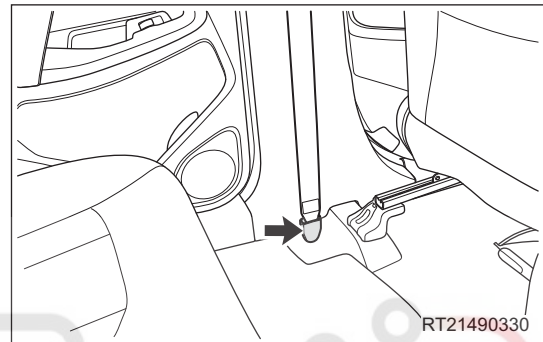
Fuel Filler Cap Cable Assembly

Removal

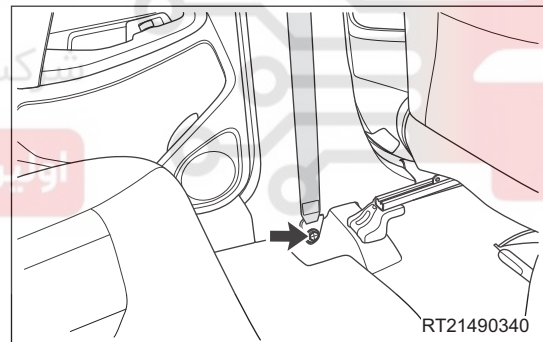
CAUTION

- Make sure to wear safety equipment when removing the fuel filler cap cable assembly.
- Avoid damage to the interior and body paint when removing the fuel filler cap cable assembly.

1. Turn off all the electrical equipment and ignition switch.
2. Disconnect the negative battery cable.
3. Loosen the lower part of front seat belt assembly.
 - a. Using a screwdriver wrapped with protective tape, pry up the front seat belt assembly lower bolt protective cap.



- b. Remove the fixing bolt (arrow) from the lower part of front seat belt assembly.
(Tightening torque: 50 ± 5 N·m)

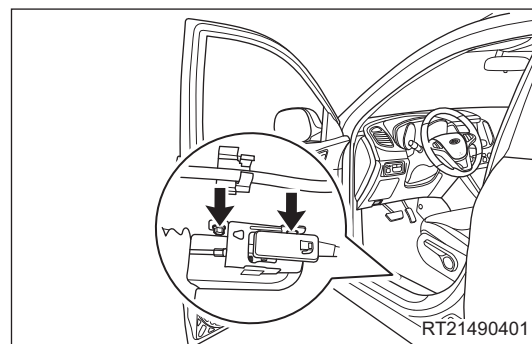


4. Remove the front left doorsill pressure plate assembly (See page 63-11).
5. Remove the rear doorsill pressure plate assembly (See page 63-12).
6. Remove the left B-pillar lower protector assembly (See page 63-20).
7. Remove the rear seat assembly (See page 60-26).
8. Remove the luggage compartment carpet assembly (See page 63-35).
9. Remove the back doorsill pressure plate assembly (See page 63-13).
10. Remove the C-pillar lower protector assembly (See page 63-23).

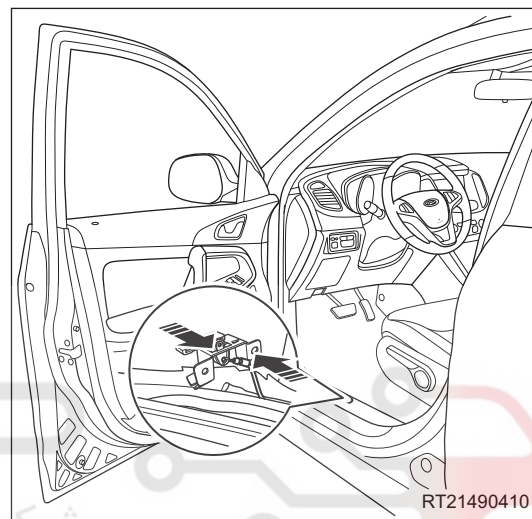
63 - INTERIOR

11. Remove the fuel filler cap cable assembly.

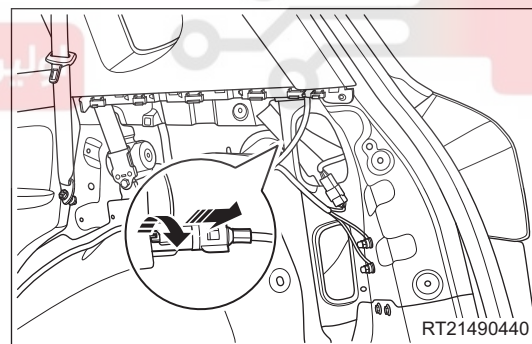
- a. Remove 2 fixing bolts (arrow) from the fuel tank opening bracket assembly.
(Tightening torque: 10 ± 1 N·m)



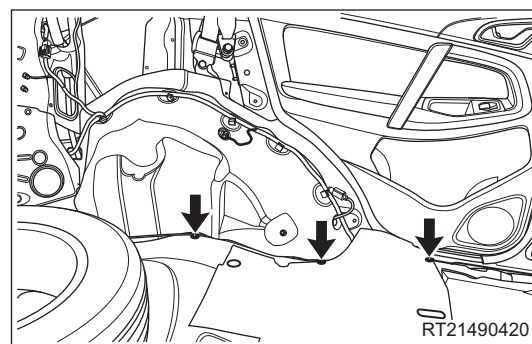
- b. Remove the fuel filler cap cable from the fuel tank opening bracket assembly in the direction of arrow as shown in the illustration.



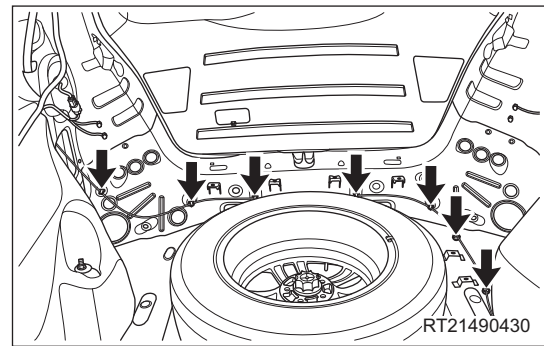
- c. Remove the fuel filler cap cable on the other side in the direction of arrow as shown in the illustration.



- d. Remove the clips (arrow) on the side of fuel filler cap cable.



- e. Remove the clips (arrow) on the rear part of fuel filler cap cable and remove the fuel filler cap cable.



Installation

Installation is in the reverse order of removal.

CAUTION

- Prevent interior and body paint from being scratched when installing fuel filler cap cable.
- Make sure damaged clips are replaced and fuel filler cap cable is installed in place when installing fuel filler cap cable.
- Check that fuel filler cap cable can operate properly after installing fuel filler cap cable.

63

دیجیتال خودرو

شرکت دیجیتال خودرو سامانه (مسئولیت محدود)

اولین سامانه دیجیتال تعمیرکاران خودرو در ایران



Rear Wheel House Sound Insulation Pad

Removal

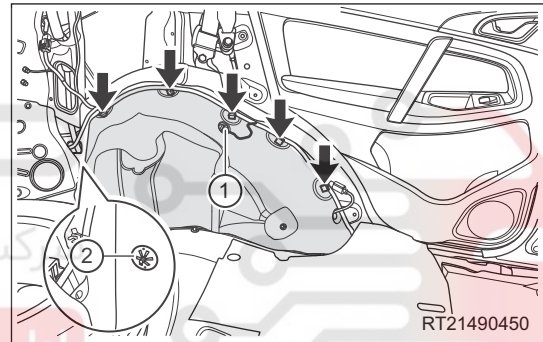
HINT:

- Use the same procedures for the right side and left side.
- Procedures listed below are for the left side.

CAUTION

- Make sure to wear safety equipment to prevent accidents when removing the rear wheel house sound insulation pad assembly.
- Appropriate force should be applied when removing the rear wheel house sound insulation pad assembly. Be careful not to operate roughly.

1. Turn off all the electrical equipment and ignition switch.
2. Disconnect the negative battery cable.
3. Remove the left C-pillar lower protector assembly (See page 63-23).
4. Remove the rear wheel house sound insulation pad.
 - a. Remove the fixing nut (1) from the ground wire harness.
(Tightening torque: 15 ± 2 N·m)
 - b. Remove the clips (arrow) from the rear wheel house sound insulation pad.
 - c. Remove the clamping washer (2) from the rear wheel house sound insulation pad, and remove the rear wheel house sound insulation pad.



63

Installation

Installation is in the reverse order of removal.