

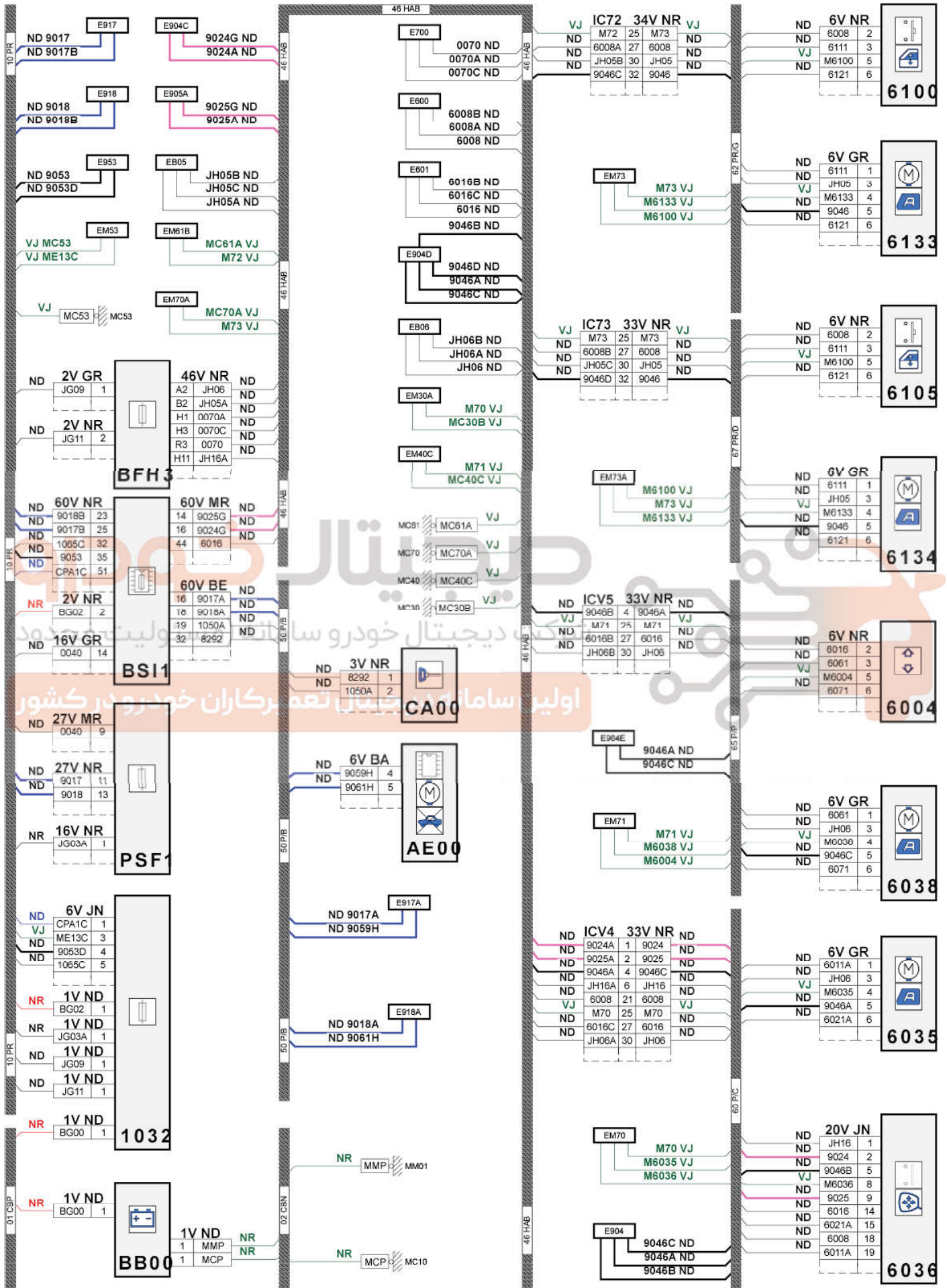
دیجیتال خودرو
شرکت دیجیتال خودرو سامانه (مسئولیت محدود)
اولین سامانه دیجیتال تعمیرکاران خودرو در کشور



Electric Window

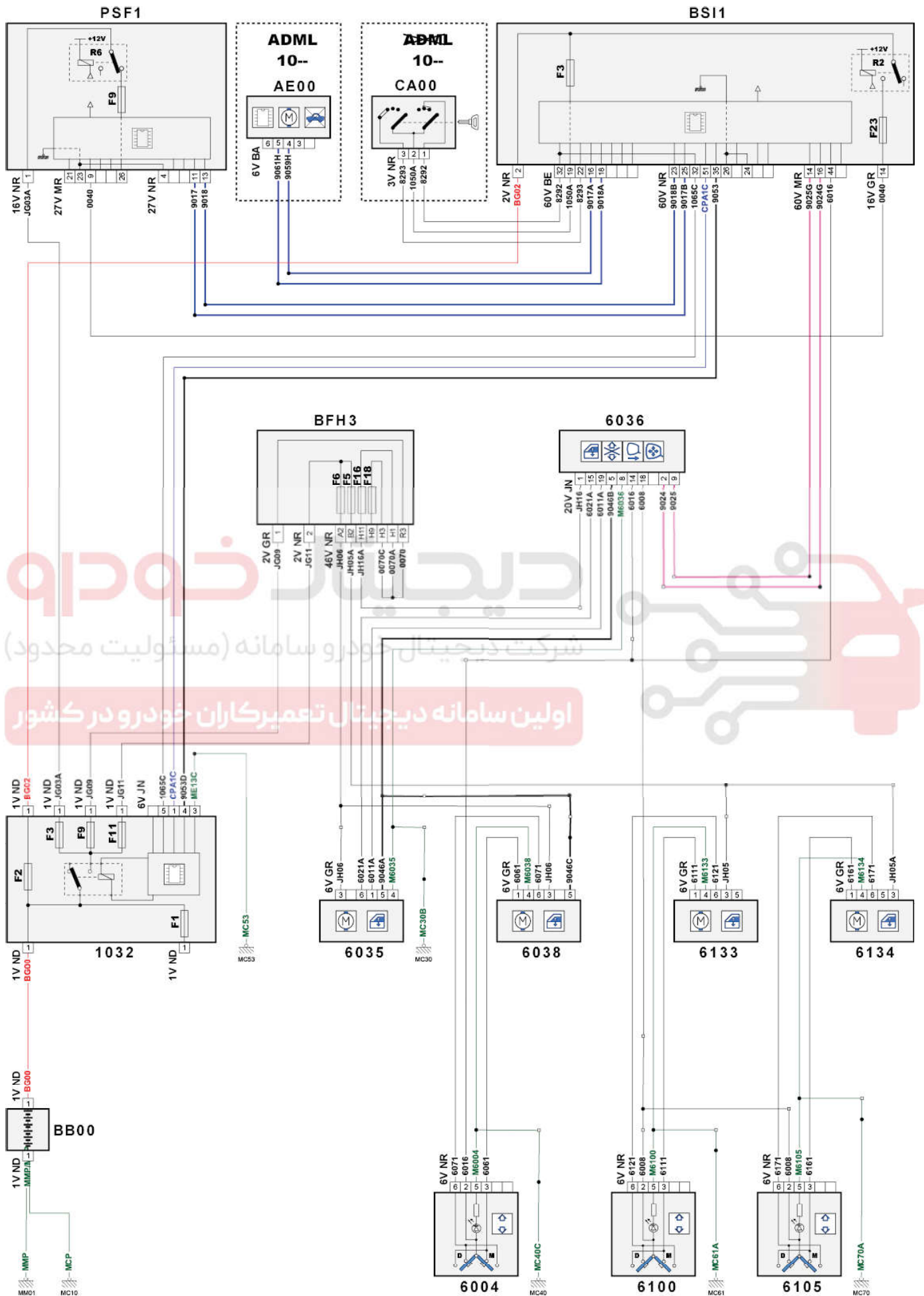
item code	description	information
1032	null	electrical supplies protection and management unit
6004	null	passenger 's electric window switch
6035	null	driver's door electric window reduction motor (with anti-pinch)
6036	null	driver's door electric windows and exterior mirrors control pad
6038	null	passenger's door electric window reduction motor (with anti-pinch)
6100	null	left rear electric window switch
6105	null	right rear electric window switch
6133	null	rear left door electric window reduction motor (with anti-pinch)
6134	null	rear right door electric window reduction motor (with anti-pinch)
AE00	null	electric steering lock
BB00	null	ancillaries battery
BFH3	null	cabin relay fusebox 1
BSI1	null	built-in systems interface
CA00	null	ignition switch
E600	null	crimp one information (or equipotential 600) wire
E601	null	crimp one information (or equipotential 601) wire
E700	null	crimp one information (or equipotential 700) wire
E904	null	crimp one information (or equipotential 904) wire
E904C	null	crimp one information (or equipotential 904C) wire
E904D	null	crimp one information (or equipotential 904D) wire
E904E	null	crimp one information (or equipotential 904E) wire
E905A	null	crimp one information (or equipotential 905A) wire
E917	null	crimp one information (or equipotential 917) wire
E917A	null	crimp one information (or equipotential 917A) wire
E918	null	crimp one information (or equipotential 918) wire
E918A	null	crimp one information (or equipotential 918A) wire
E953	null	crimp one information (or equipotential 953) wire
EB05	null	splice of a "battery +" protected by fuse no. 05
EB06	null	splice of a "battery +" protected by fuse no. 06
EM30A	null	crimp earth (earth point number 30A)
EM40C	null	crimp earth (earth point number 40C)
EM53	null	crimp earth (earth point number 53)
EM61B	null	crimp earth (earth point number 61B)
EM70	null	crimp earth (earth point number 70)
EM70A	null	crimp earth (earth point number 70A)
EM71	null	crimp earth (earth point number 71)
EM73	null	crimp earth (earth point number 73)
EM73A	null	crimp earth (earth point number 73A)
MC10	null	body earth point number 10
MC30B	null	body earth point number 30B
MC40C	null	body earth point 40C
MC53B	null	body earth point number 53B
MC61B	null	body earth point number 61B
MC70A	null	body earth point number 70A
MM01	null	engine earth point number 01
PSF1	null	engine compartment connection board-fuse box

Electric Window



Electric Window

item code	description	information
1032	null	electrical supplies protection and management unit
6004	null	passenger 's electric window switch
6035	null	driver's door electric window reduction motor (with anti-pinch)
6036	null	driver's door electric windows and exterior mirrors control pad
6038	null	passenger's door electric window reduction motor (with anti-pinch)
6100	null	left rear electric window switch
6105	null	right rear electric window switch
6133	null	rear left door electric window reduction motor (with anti-pinch)
6134	null	rear right door electric window reduction motor (with anti-pinch)
AE00	null	electric steering lock
BB00	null	ancillaries battery
BFH3	null	cabin relay fusebox 1
BSI1	null	built-in systems interface
CA00	null	ignition switch
E600	null	crimp one information (or equipotential 600) wire
E601	null	crimp one information (or equipotential 601) wire
E700	null	crimp one information (or equipotential 700) wire
E904	null	crimp one information (or equipotential 904) wire
E904C	null	crimp one information (or equipotential 904C) wire
E904D	null	crimp one information (or equipotential 904D) wire
E904E	null	crimp one information (or equipotential 904E) wire
E905A	null	crimp one information (or equipotential 905A) wire
E917	null	crimp one information (or equipotential 917) wire
E917A	null	crimp one information (or equipotential 917A) wire
E918	null	crimp one information (or equipotential 918) wire
E918A	null	crimp one information (or equipotential 918A) wire
E953	null	crimp one information (or equipotential 953) wire
EB05	null	splice of a "battery +" protected by fuse no. 05
EB06	null	splice of a "battery +" protected by fuse no. 06
EM30A	null	crimp earth (earth point number 30A)
EM40C	null	crimp earth (earth point number 40C)
EM53	null	crimp earth (earth point number 53)
EM61B	null	crimp earth (earth point number 61B)
EM70	null	crimp earth (earth point number 70)
EM70A	null	crimp earth (earth point number 70A)
EM71	null	crimp earth (earth point number 71)
EM73	null	crimp earth (earth point number 73)
EM73A	null	crimp earth (earth point number 73A)
MC10	null	body earth point number 10
MC30B	null	body earth point number 30B
MC40C	null	body earth point 40C
MC53B	null	body earth point number 53B
MC61B	null	body earth point number 61B
MC70A	null	body earth point number 70A
MM01	null	engine earth point number 01
PSF1	null	engine compartment connection board-fuse box



دیجیتال خودرو
شرکت دیجیتال خودرو سامانه (مسئولیت محدود)
اولین سامانه دیجیتال تعمیرکاران خودرو در کشور

Rear Electric Window

item code	description	information
1032	null	electrical supplies protection and management unit
6004	null	passenger´s electric window switch
6035	null	driver's door electric window reduction motor (with anti-pinch)
6036	null	driver's door electric windows and exterior mirrors control pad
6038	null	passenger's door electric window reduction motor (with anti-pinch)
6100	null	left rear electric window switch
6105	null	right rear electric window switch
6133	null	rear left door electric window reduction motor (with anti-pinch)
6134	null	rear right door electric window reduction motor (with anti-pinch)
AE00	null	electric steering lock
BB00	null	ancillaries battery
BFH3	null	cabin relay fusebox 1
BSI1	null	built-in systems interface
CA00	null	ignition switch
E600	null	crimp one information (or equipotential 600) wire
E601	null	crimp one information (or equipotential 601) wire
E700	null	crimp one information (or equipotential 700) wire
E904	null	crimp one information (or equipotential 904) wire
E904C	null	crimp one information (or equipotential 904C) wire
E904D	null	crimp one information (or equipotential 904D) wire
E904E	null	crimp one information (or equipotential 904E) wire
E905A	null	crimp one information (or equipotential 905A) wire
E917	null	crimp one information (or equipotential 917) wire
E917A	null	crimp one information (or equipotential 917A) wire
E918	null	crimp one information (or equipotential 918) wire
E918A	null	crimp one information (or equipotential 918A) wire
E953	null	crimp one information (or equipotential 953) wire
EB05	null	splice of a "battery +" protected by fuse no, 05
EB06	null	splice of a "battery +" protected by fuse no, 06
EM30A	null	crimp earth (earth point number 30A)
EM40C	null	crimp earth (earth point number 40C)
EM53	null	crimp earth (earth point number 53)
EM61B	null	crimp earth (earth point number 61B)
EM70	null	crimp earth (earth point number 70)
EM70A	null	crimp earth (earth point number 70A)
EM71	null	crimp earth (earth point number 71)
EM73	null	crimp earth (earth point number 73)
EM73A	null	crimp earth (earth point number 73A)
MC10	null	body earth point number 10
MC30B	null	body earth point number 30B
MC40C	null	body earth point 40C
MC53B	null	body earth point number 53B
MC61B	null	body earth point number 61B
MC70A	null	body earth point number 70A
MM01	null	engine earth point number 01
PSF1	null	engine compartment connection board-fuse box