

3) CONNECTOR, GROUND & SPLICE PACK INFORMATION

► CONNECTOR

| Connector Number (Pin Number, Color) | Connecting Wiring Harness | Connector Position | Remark | |
|---|---------------------------------------|---------------------------------|------------------------------|------------|
| C101 (2Pin, Colorless) | W/H Floor - Eng Room Fuse & Relay Box | Eng Room Fuse & Relay Box | | |
| C102 (20Pin, White) | W/H Floor - Eng Room Fuse & Relay Box | Eng Room Fuse & Relay Box | | |
| C103 (6Pin, Colorless) | W/H Floor - Eng Room Fuse & Relay Box | Eng Room Fuse & Relay Box | | |
| C104 (20Pin, White) | W/H Floor - Eng Room Fuse & Relay Box | Eng Room Fuse & Relay Box | | |
| C105 (22Pin, White) | W/H Floor - Eng Room Fuse & Relay Box | Eng Room Fuse & Relay Box | | |
| C106 (18Pin, White) | W/H Floor - Eng Room Fuse & Relay Box | Eng Room Fuse & Relay Box | | |
| C107 (14Pin, White) | W/H Eng - Eng Room Fuse & Relay Box | Eng Room Fuse & Relay Box | | |
| C108 (4Pin, Colorless) | W/H Eng - Eng Room Fuse & Relay Box | Eng Room Fuse & Relay Box | | |
| C109 (16Pin, White) | W/H Eng - Eng Room Fuse & Relay Box | Eng Room Fuse & Relay Box | | |
| C110 (4Pin, White) | W/H Eng - W/H Floor | Eng Room Fuse & Relay Box | PTC | |
| C110A (12Pin, Black) | W/H Eng - W/H Floor | Eng Room Fuse & Relay Box | D27DTP, D27DT(EU IV) | |
| C111 (1Pin, Gray) | W/H Eng - Starter Motor | Under the Preheating Time Relay | Solenoid | |
| C112 (12Pin, Black) | W/H Eng - W/H Eng Control | Under the Preheating Time Relay | D27DTP, D27DT(EU IV) | |
| C113 (2Pin, Black) | W/H Eng - W/H Alternator | Under the Coolant Reserve Tank | | |
| C114 (10Pin, Black) | W/H Eng - W/H FFH | Backside Coolant Reserve Tank | FFH | |
| C115 (42Pin, Black) | W/H Eng - W/H Eng Control | Right Eng Room Dash PNL | | |
| C201 (18Pin, White) | W/H Main - W/H Roof | Under the I/P Fuse Box | | |
| C202 (4Pin, White) | W/H Main - W/H Floor | Under the I/P Fuse Box | PTC | |
| C203 (2Pin, Colorless) | W/H Main - W/H Floor | Under the I/P Fuse Box | | |
| C204 (12Pin, Black) | W/H Main - W/H Floor | Driver Cowl Side C/Holder | | |
| C205 (16Pin, White) | W/H Main - W/H Floor | Driver Cowl Side C/Holder | C/Holder | |
| C206 (21Pin, Black) | W/H Main - W/H Floor | Driver Cowl Side C/Holder | C/Holder | |
| C207 (39Pin, Gray) | W/H Main - W/H Floor | Driver Cowl Side C/Holder | C/Holder | |
| C208 (20Pin, Black) | W/H Main - W/H Floor | Driver Cowl Side C/Holder | C/Holder | |
| C209 (26Pin, Black) | W/H Main - W/H Floor | Driver Cowl Side C/Holder | C/Holder | |
| C210 | (6Pin, Yellow) | W/H Air Bag - W/H Air Bag EXTN | Driver Cowl Side C/Holder | Side A/Bag |
| | (2Pin, Yellow) | W/H Air Bag - W/H Air Bag EXTN | Driver Cowl Side C/Holder | |
| C213 (16Pin, White) | W/H Main - W/H A/Con | Backside the A/V Head Unit | | |
| C213A (13Pin, White) | W/H A/Con - W/H Blower | Backside the Glove Box | | |
| C214 (20Pin, Black) | W/H Main - W/H Floor | Lower the Console Box | | |
| C215 | (6Pin, Yellow) | W/H Air Bag - W/H Air Bag EXTN | Passenger Cowl Side C/Holder | Side A/Bag |
| | (2Pin, Yellow) | W/H Air Bag - W/H Air Bag EXTN | Passenger Cowl Side C/Holder | |
| C216 (26Pin, White) | W/H Main - W/H Eng | Passenger Cowl Side C/Holder | C/Holder | |

| | |
|--------------------|--|
| Modification basis | |
| Application basis | |
| Affected VIN | |

| Connector Number (Pin Number, Color) | Connecting Wiring Harness | Connector Position | Remark | |
|---|------------------------------------|------------------------------------|--------------------------|--------------|
| C217 (16Pin, White) | W/H Main - W/H Eng | Passenger Cowl Side C/Holder | C/Holder | |
| C218 (21Pin, White) | W/H Main - W/H Eng | Passenger Cowl Side C/Holder | C/Holder | |
| C219 (39Pin, Gray) | W/H Main - W/H Floor | Passenger Cowl Side C/Holder | C/Holder | |
| C220 (20Pin, Black) | W/H Main - W/H Floor | Passenger Cowl Side C/Holder | C/Holder | |
| C301 | (20Pin, White) | W/H Floor - W/H Driver Seat | Under the Driver Seat | Memory/Power |
| | (20Pin, White) | W/H Floor - W/H Driver Seat | Under the Driver Seat | W/O Memory |
| C302 (21Pin, Black) | W/H Floor - W/H Driver Seat | Under the Driver Seat | Memory/Power | |
| C303 (6Pin, White) | W/H Driver Seat - W/H Seat Back | Under the Driver Seat | Memory/Power | |
| C304 | (16Pin, White) | W/H Floor - W/H Passenger Seat | Under the Passenger Seat | Memory/Power |
| | (6Pin, White) | W/H Floor - W/H Passenger Seat | Under the Passenger Seat | W/O Memory |
| C305 (4Pin, White) | W/H Passenger Seat - W/H Seat Back | Under the Passenger Seat | Memory/Power | |
| C306 (4Pin, Colorless) | W/H Floor - W/H RR A/Con | Inside the 3RD Seat RH Trim | Dual A/Con | |
| C351 (21Pin, Black) | W/H Main - W/H Driver DR | Inside the Driver Cowl Side PNL | | |
| C352 (21Pin, White) | W/H Main - W/H Driver DR | Inside the Driver Cowl Side PNL | | |
| C361 (21Pin, White) | W/H Main - W/H Passenger DR | Inside the Passenger Cowl Side PNL | | |
| C362 (21Pin, Black) | W/H Main - W/H Passenger DR | Inside the Passenger Cowl Side PNL | | |
| C371 (21Pin, White) | W/H Floor - W/H RR LH DR | Under the Left "B" PLR | | |
| C372 (4Pin, Black) | W/H RR LH DR - W/H DR EXTN | Inside the RR LH DR | | |
| C381 (21Pin, White) | W/H Floor - W/H RR RH DR | Under the Right "B" PLR | | |
| C382 (4Pin, Black) | W/H RR RH DR - W/H DR EXTN | Inside the RR RH DR | | |
| C391 (12Pin, White) | W/H Floor - W/H Tail Gate | Inside the Tail Gate | | |
| C392 (4Pin, White) | W/H Floor - W/H Tail Gate | Inside the Tail Gate | | |
| C393 (4Pin, Colorless) | W/H Floor - W/H Tail Gate | Inside the RR RH Upper QTR Trim | | |
| C394 (6Pin, Black) | W/H Floor - W/H Trailer | Under the RR Bumper (RH) | Trailer | |
| C901 | (12Pin, Black) | W/H Floor - W/H T/M | Upper the T/M | A/T |
| | (4Pin, Black) | W/H Floor - W/H T/M | Upper the T/M | M/T |
| C902 (4Pin, Black) | W/H Floor - W/H Fuel Sender | Upper the T/M | | |
| C904 (8Pin, Black) | W/H Floor - W/H PAS | Under the RR Bumper (LH) | | |
| C905 (8Pin, Black) | W/H Floor - W/H EPB | Under the RR Bumper (LH) | | |
| C906 (4Pin, Black) | W/H Floor - W/H EPB | Under the RR Bumper (LH) | | |

| | |
|--------------------|--|
| Modification basis | |
| Application basis | |
| Affected VIN | |

CONNECTORS/GROUNDS

REXTON 2010.01

02-8

8201-00

► SPLICE PACK

| Connector Number (Pin Number, Color) | Connecting Wiring Harness | Connector Position | Remark |
|---|------------------------------|--|--------|
| S201 (20Pin) | W/H Main | Upper the I/P Relay Box (Inside Protector) | |
| S202 (20Pin) | W/H Main | Upper the I/P Relay Box (Inside Protector) | CAN |
| S203 (20Pin) | W/H Main | Backside A/V Head Unit (Inside LH Protector) | GND |
| S204 (20Pin) | W/H Main | Backside A/V Head Unit (Inside LH Protector) | |
| S205 (20Pin) | W/H Main | Backside A/V Head Unit (Inside RH Protector) | |
| S301 (20Pin) | W/H Floor | Under the Driver Seat | |

► GROUND

| Connector Number | Connecting Wiring Harness | Connector Position | Remark |
|---------------------|------------------------------|------------------------------------|----------|
| G101 | W/H Eng | Center the Eng Room Fuse Box | |
| G102 | W/H Eng | Center the Eng BATT | |
| G103 | W/H Eng | Backside LH Head Lamp | PWM |
| G104 | W/H Eng | Backside RH Head Lamp | |
| G105 | W/H Eng | Beside Coolant Reserve Tank | ABS/ESP |
| G201 | W/H Main | Under the Driver Cowl Side PNL | |
| G202 | W/H Main | Lower the Console Box | |
| G203 | W/H Main | Inside the Passenger Cowl Side PNL | DSL, GSL |
| G204 | W/H Main | Beside Eng ECU | DSL, GSL |
| G205 | W/H Main | Beside Eng ECU | GSL |
| G301 | W/H Floor | Under the Driver Seat | |
| G302 | W/H Floor | Under the Passenger Seat | |
| G303 | W/H Floor | Under the LH "B" PLR | |
| G304 | W/H Floor | Inside the LH QTR GLS Lower | |
| G305 | W/H Floor | Inside the RH QTR GLS Lower | |
| G401 | W/H Tail Gate | Center the Tail Gate | |
| G402 | W/H Tail Gate | LH The Tail Gate | |

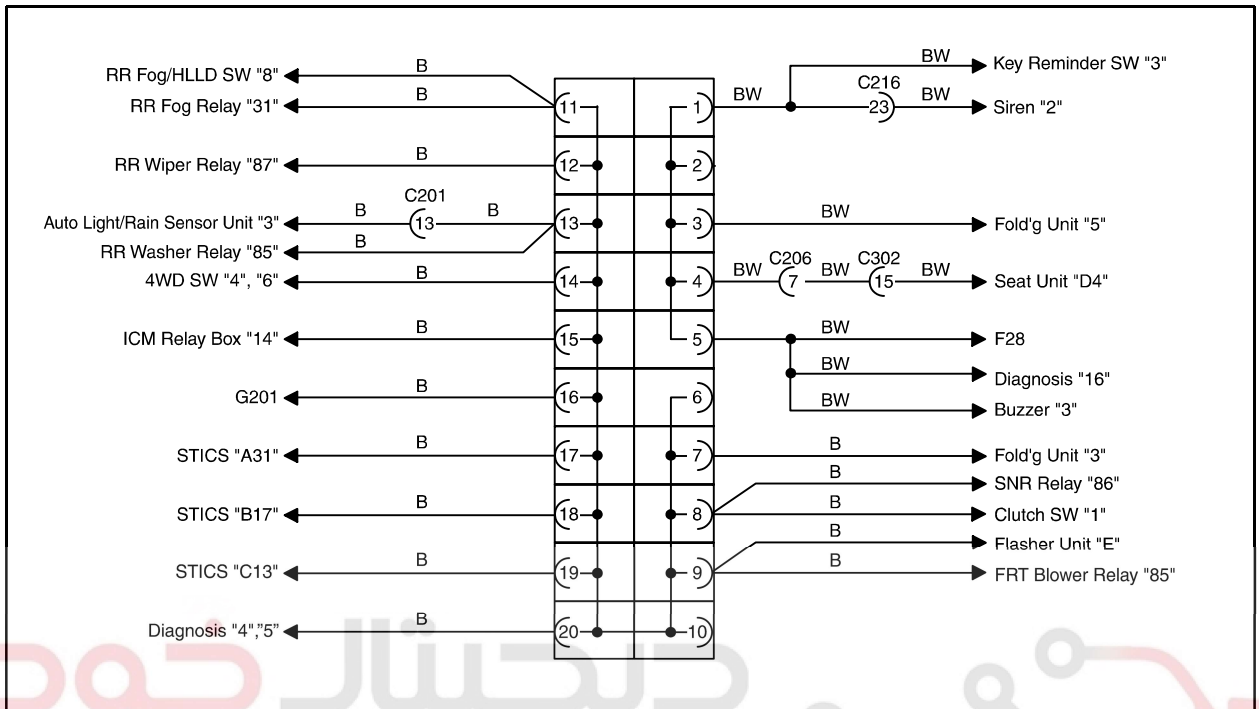
CONNECTORS/GROUNDS

REXTON 2010.01

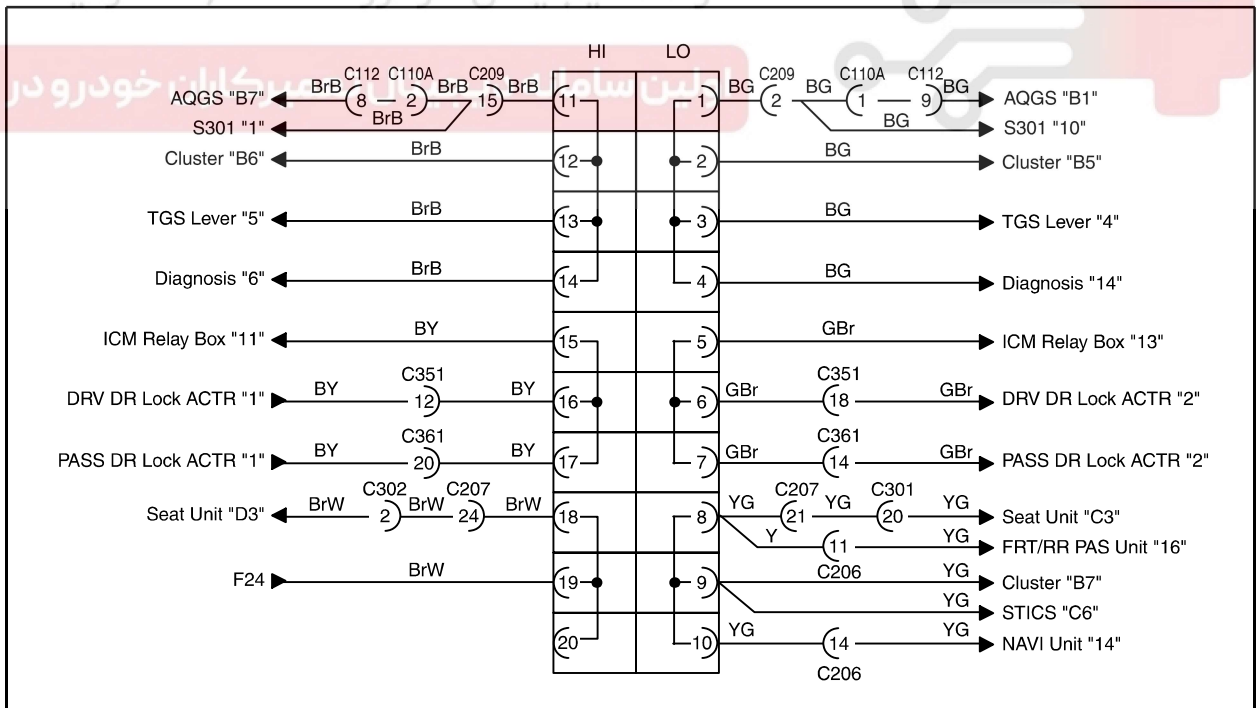
| | |
|--------------------|--|
| Modification basis | |
| Application basis | |
| Affected VIN | |

4) SPLICE PACK CIRCUIT

► S201

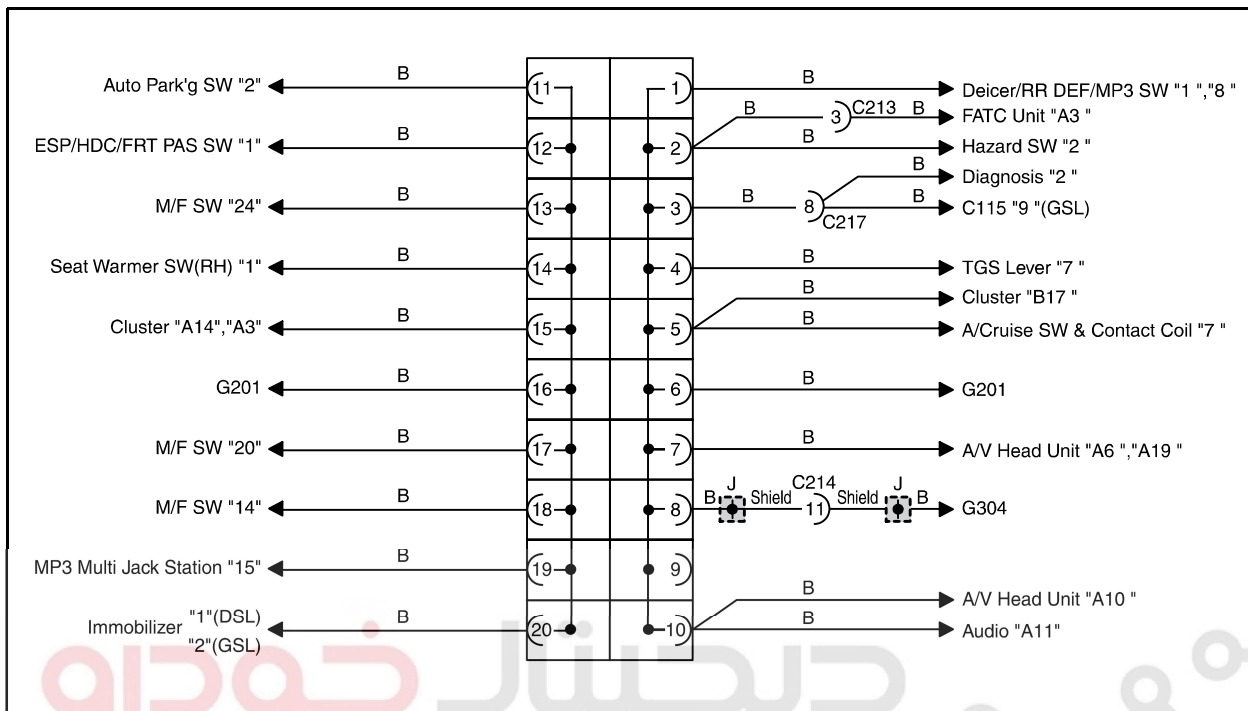


► S202 (CAN)

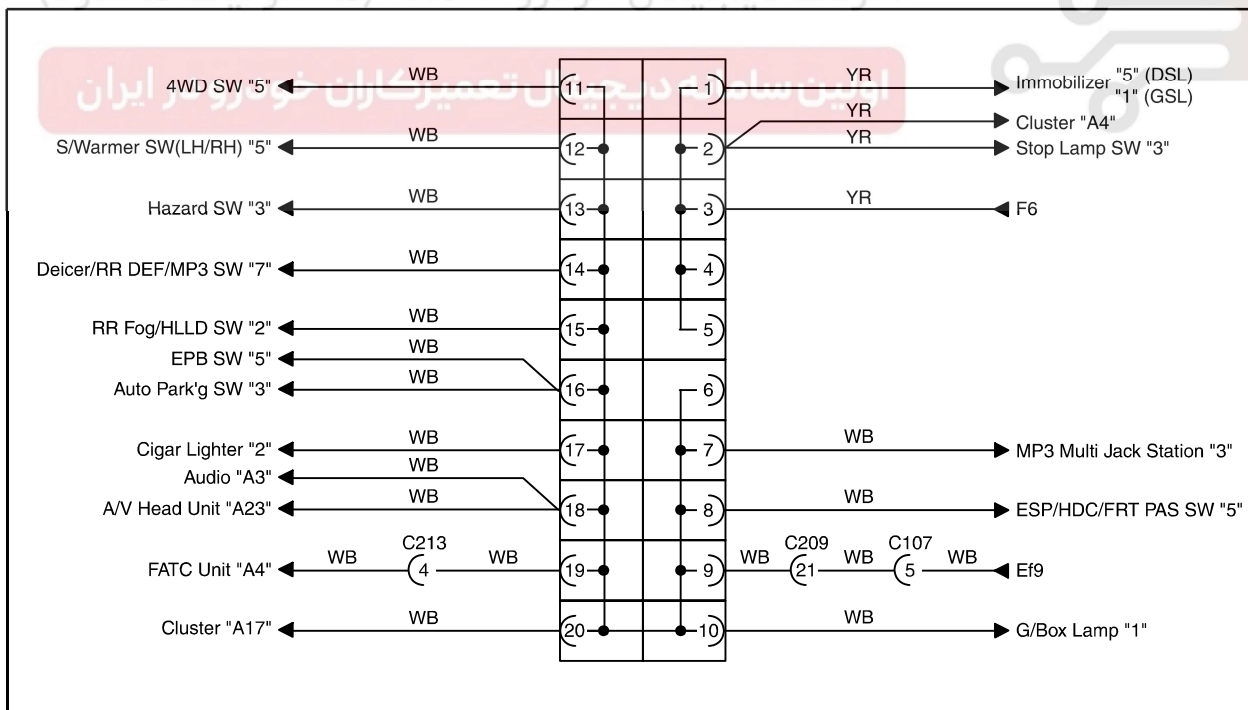


| | |
|--------------------|--|
| Modification basis | |
| Application basis | |
| Affected VIN | |

► S203 (GND)

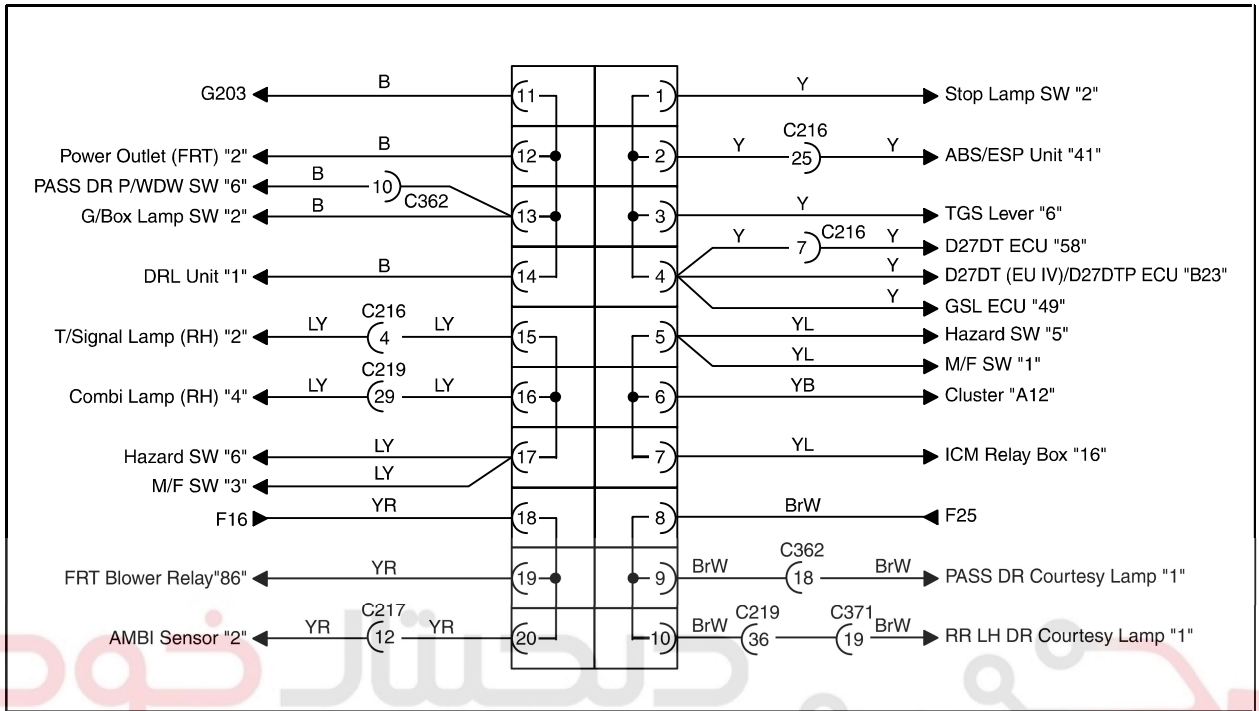


► S204

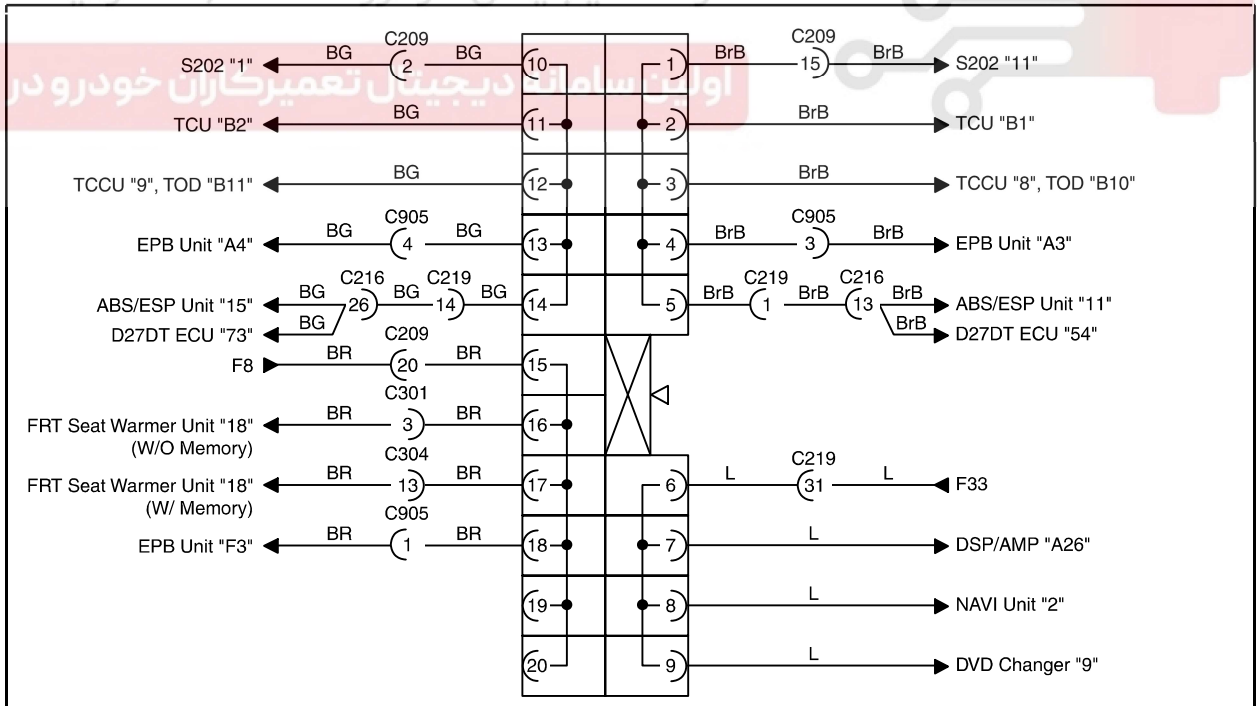


| | |
|--------------------|--|
| Modification basis | |
| Application basis | |
| Affected VIN | |

► S205

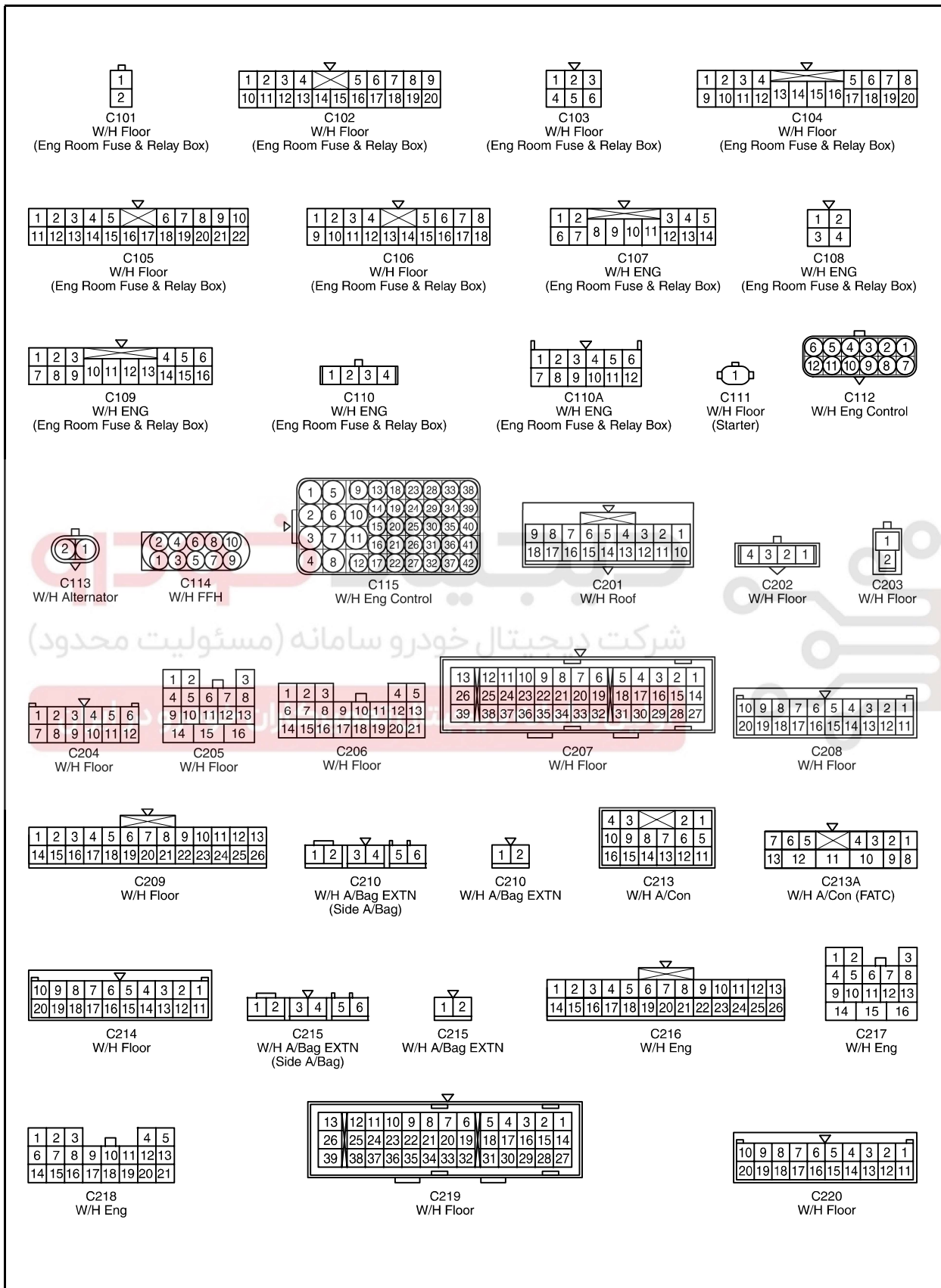


► S301

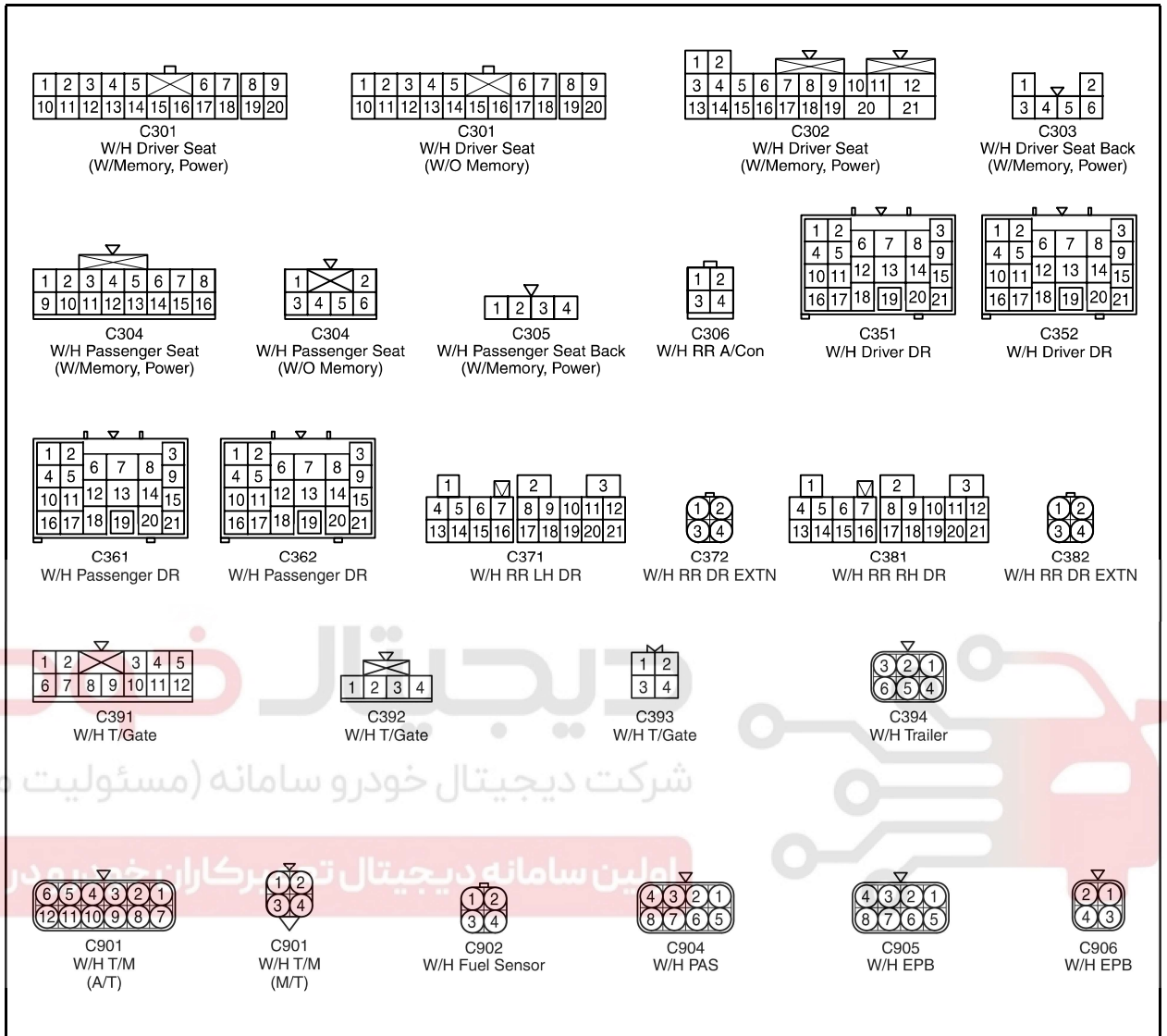


| | |
|--------------------|--|
| Modification basis | |
| Application basis | |
| Affected VIN | |

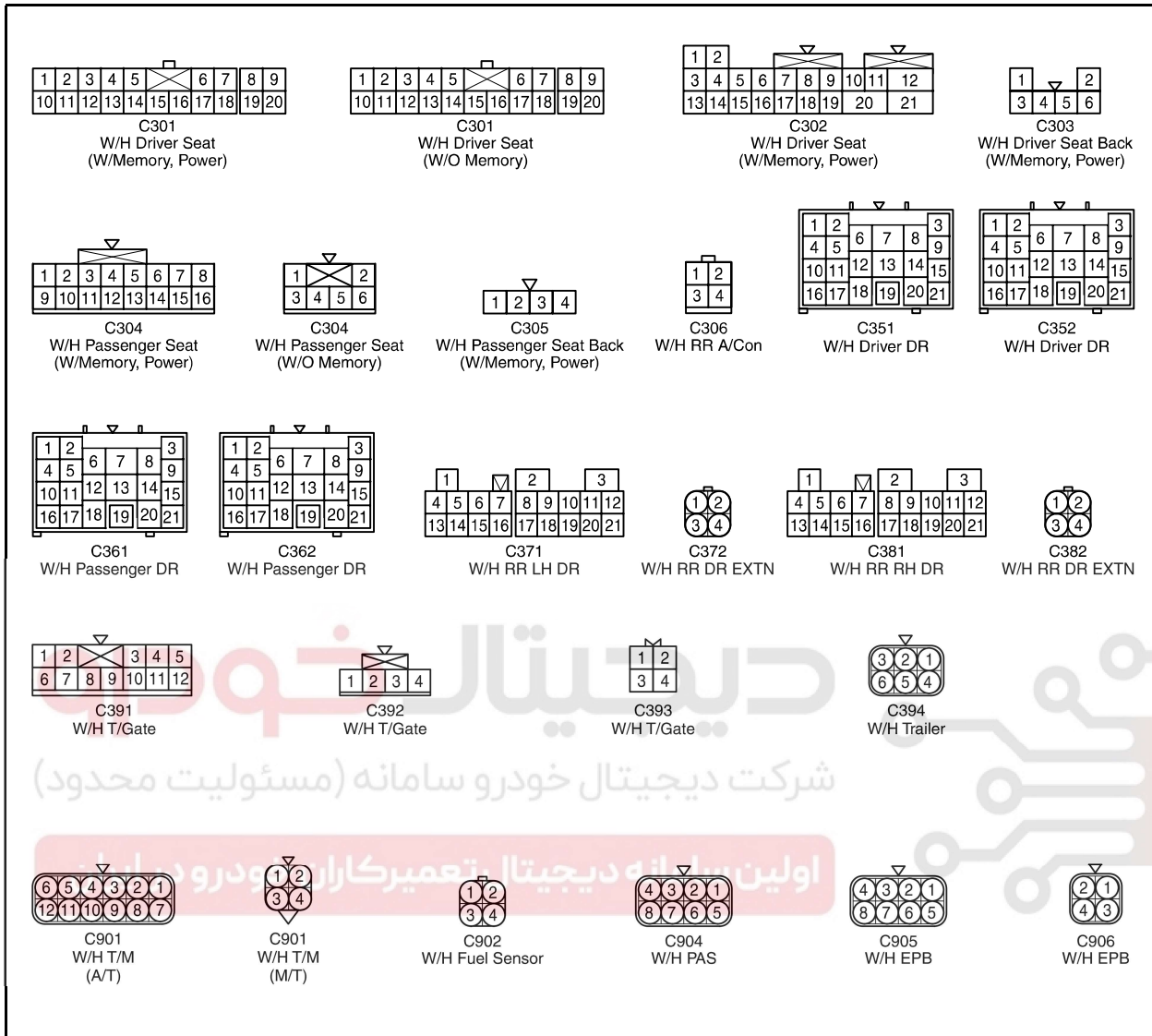
5) WIRING CONNECTOR



| | |
|--------------------|--|
| Modification basis | |
| Application basis | |
| Affected VIN | |



| | |
|--------------------|--|
| Modification basis | |
| Application basis | |
| Affected VIN | |

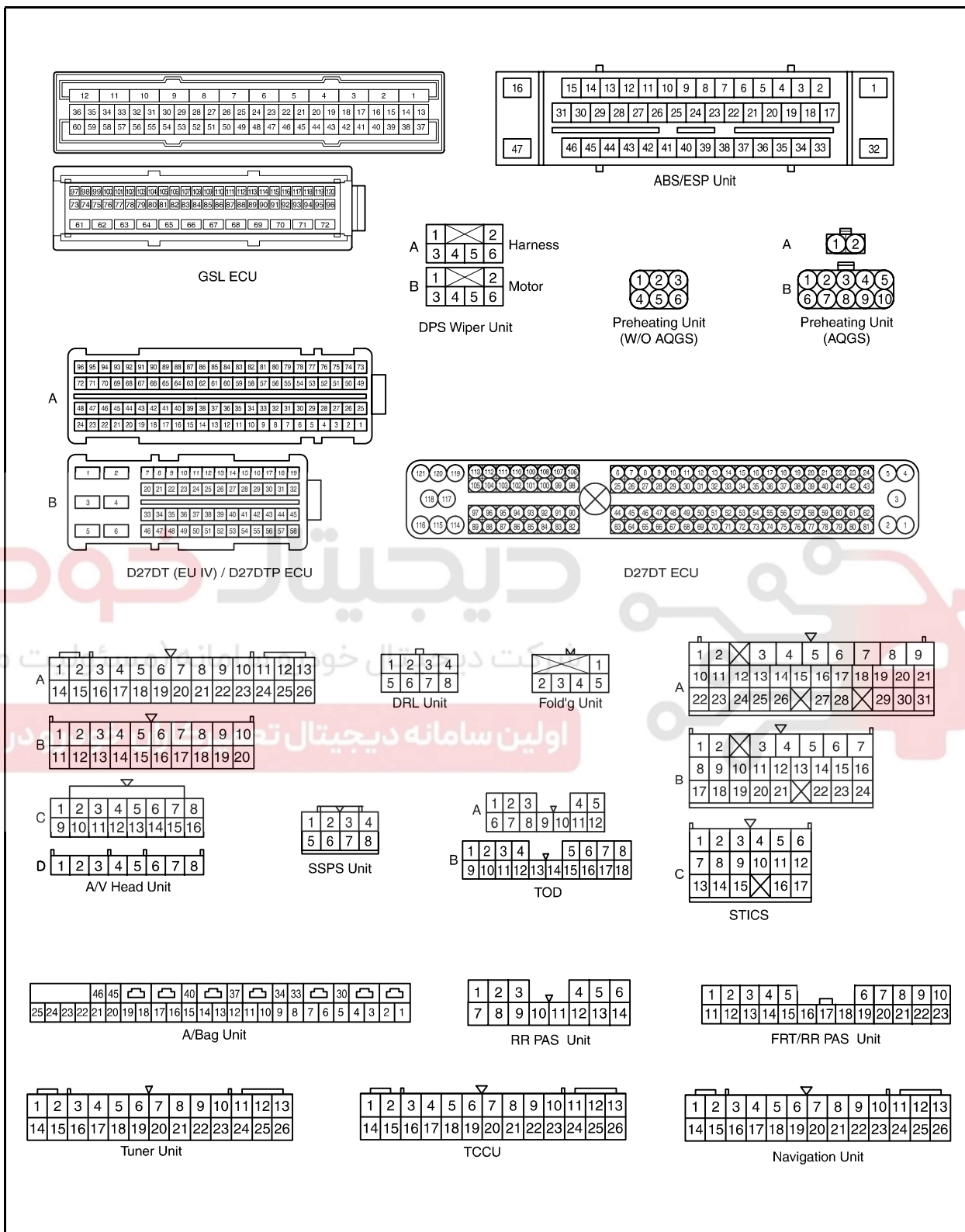


CONNECTORS/GROUNDS

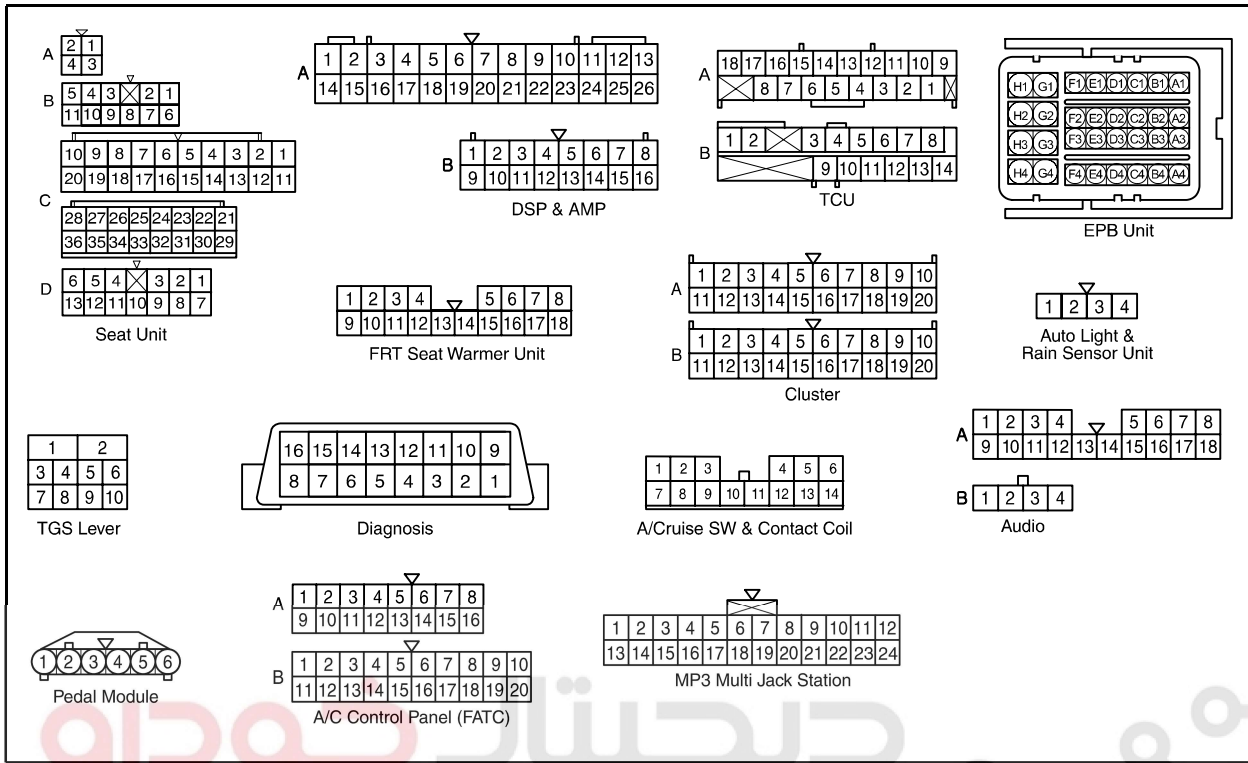
REXTON 2010.01

| | |
|--------------------|--|
| Modification basis | |
| Application basis | |
| Affected VIN | |

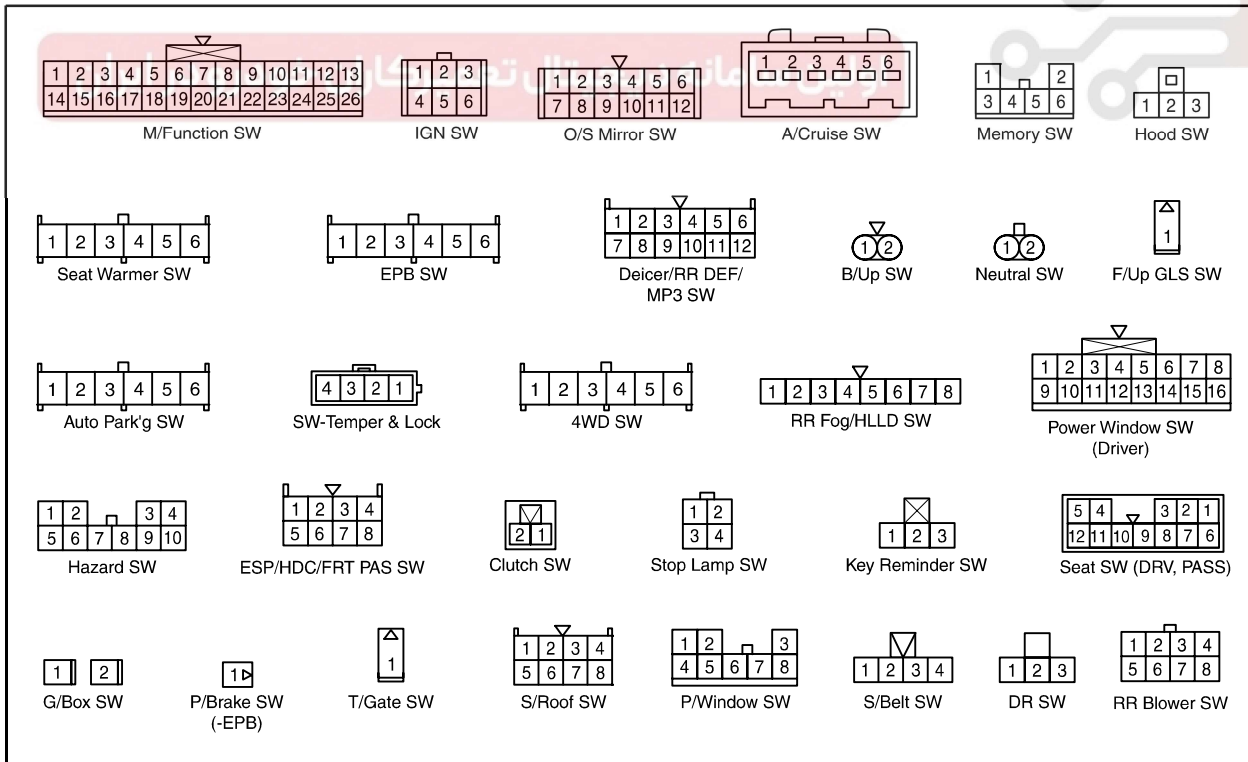
► UNIT CONNECTOR



| | |
|--------------------|--|
| Modification basis | |
| Application basis | |
| Affected VIN | |

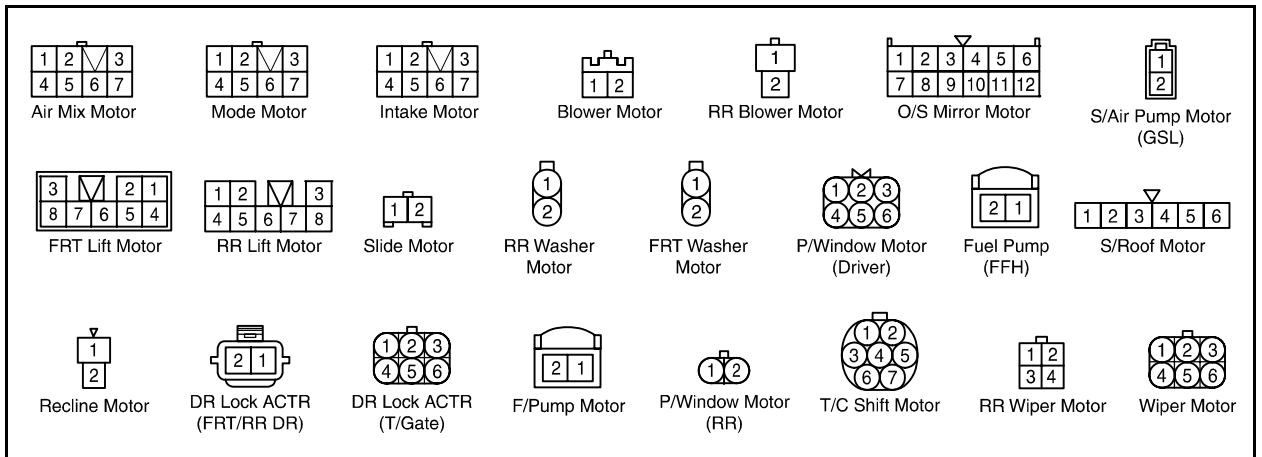


► SWITCH CONNECTOR

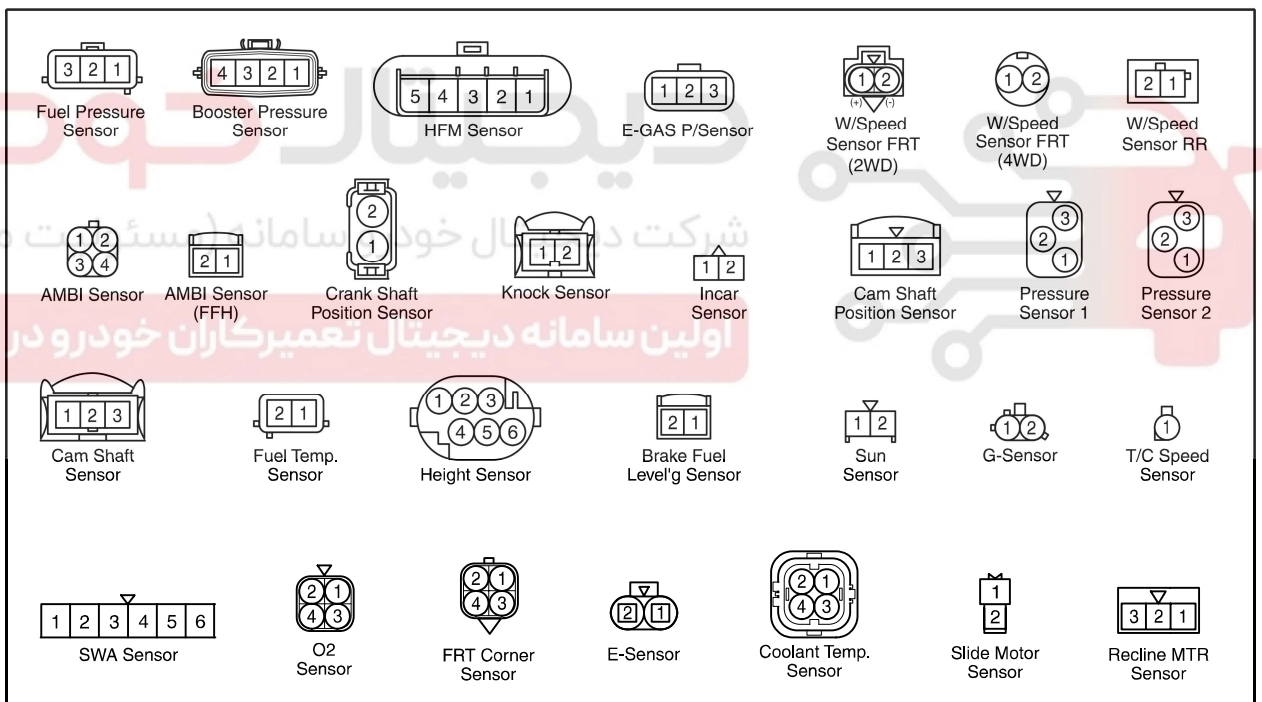


| | |
|--------------------|--|
| Modification basis | |
| Application basis | |
| Affected VIN | |

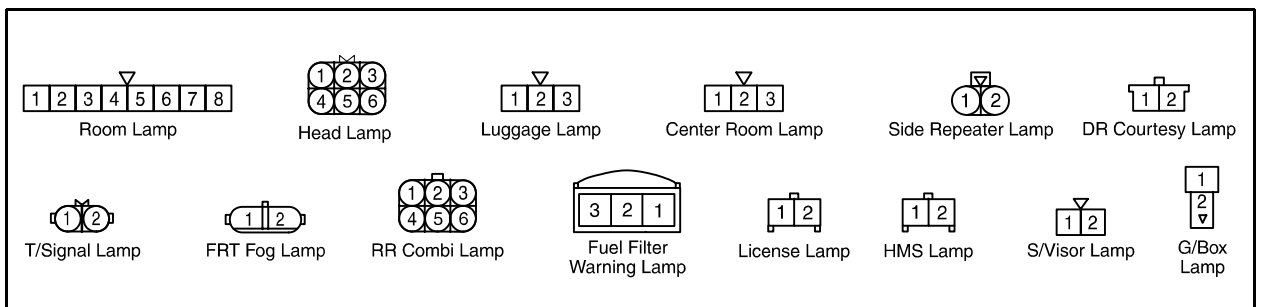
► **MODE CONNECTOR**



► **SENSOR CONNECTOR**

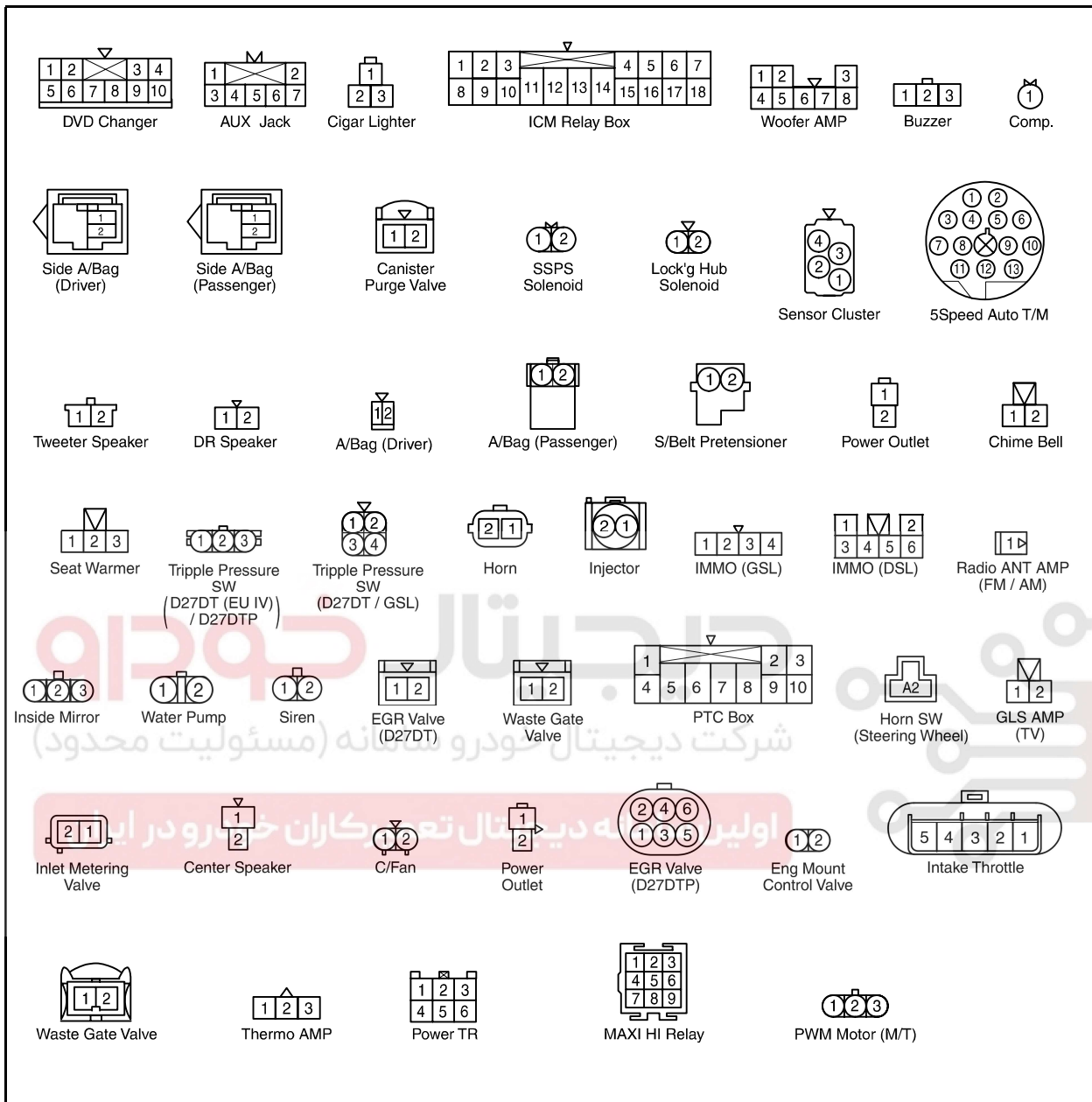


► **LAMP CONNECTOR**



| | |
|--------------------|--|
| Modification basis | |
| Application basis | |
| Affected VIN | |

► ETC.



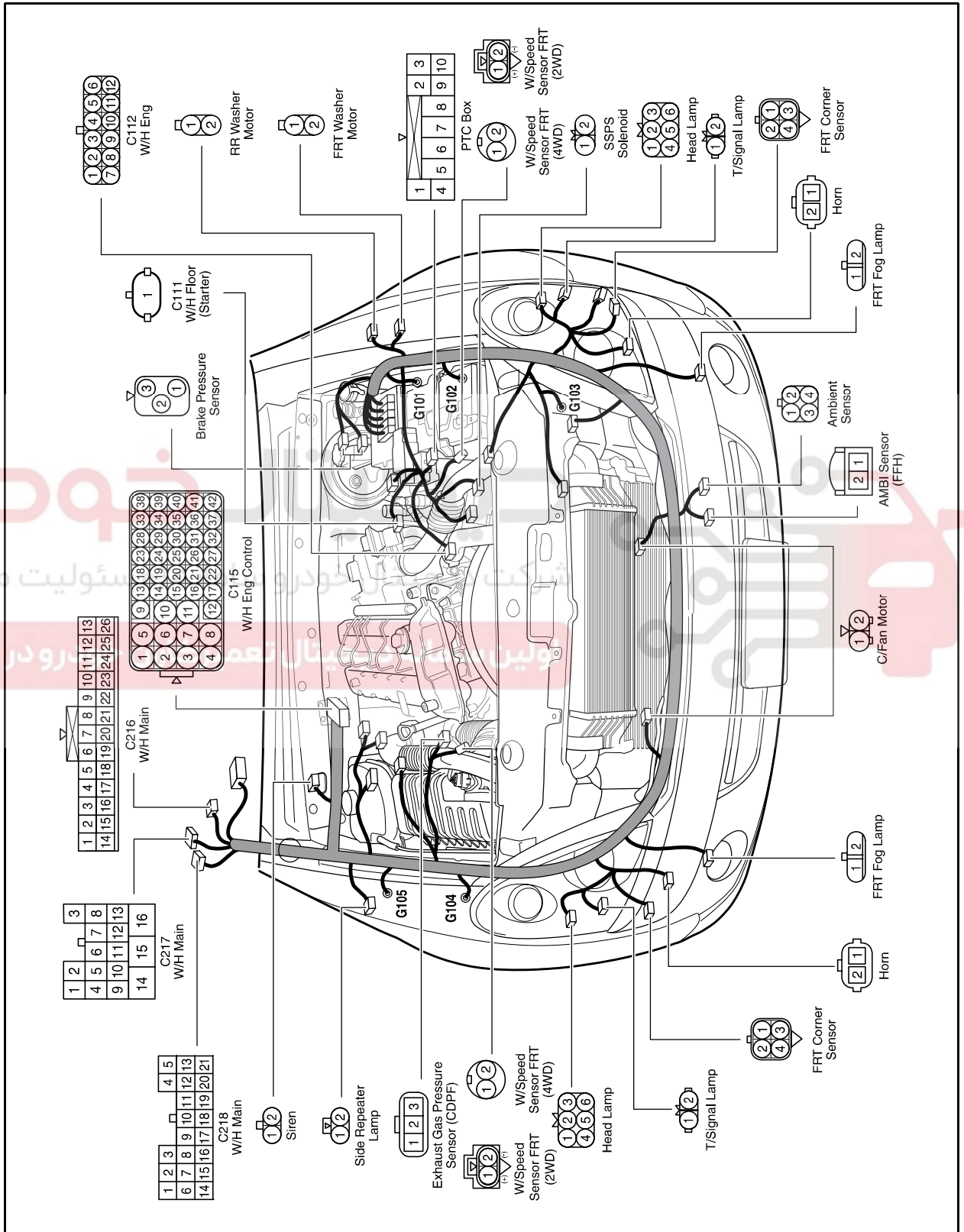
CONNECTORS/GROUNDS

REXTON 2010.01

| | |
|--------------------|--|
| Modification basis | |
| Application basis | |
| Affected VIN | |

CONNECTOR

8210-00 W/H ENGINE ROOM

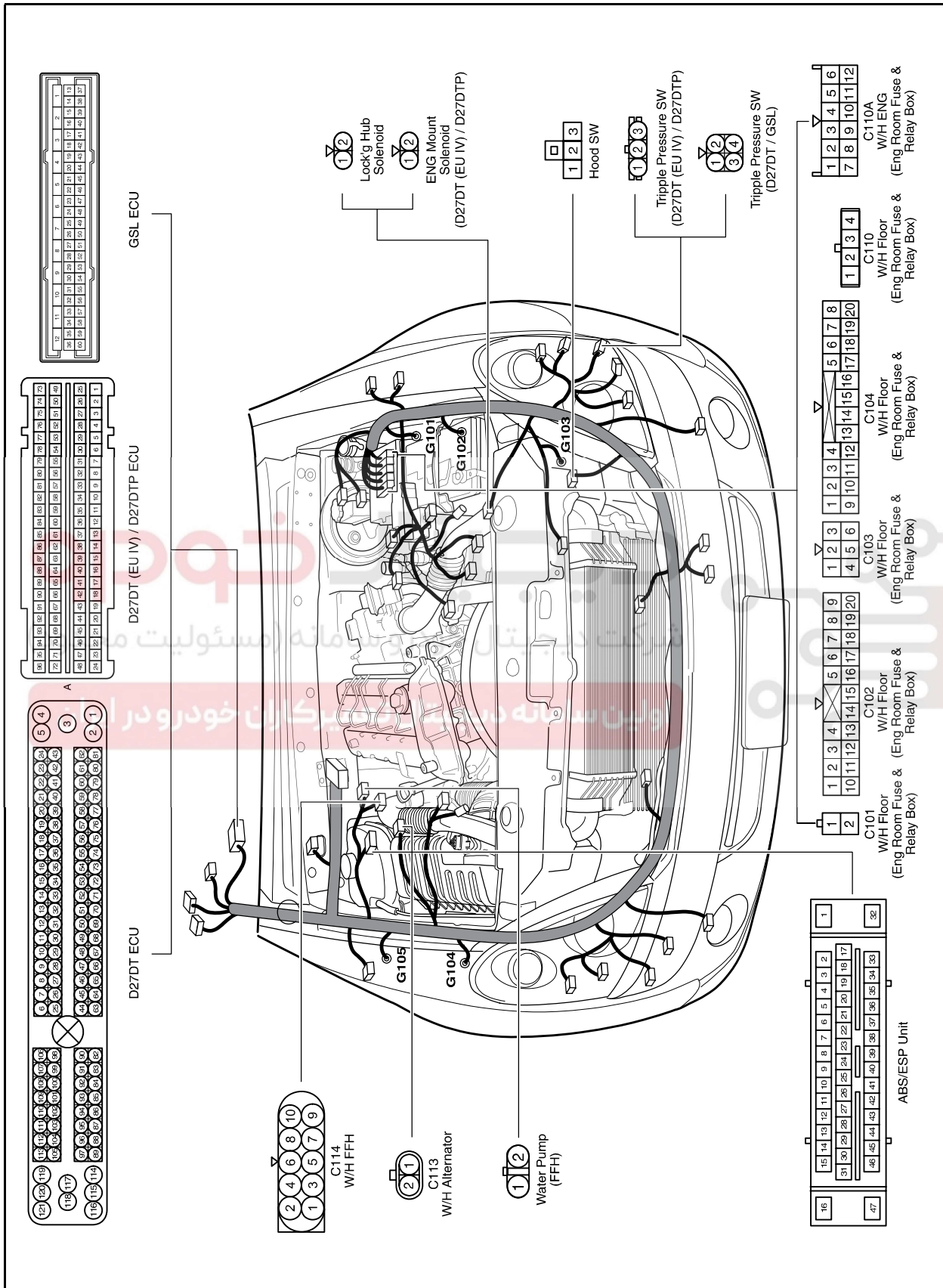


CONNECTOR/WIRING

| | |
|--------------------|--|
| Modification basis | |
| Application basis | |
| Affected VIN | |

CONNECTORS/GROUNDS

REXTON 2010.01



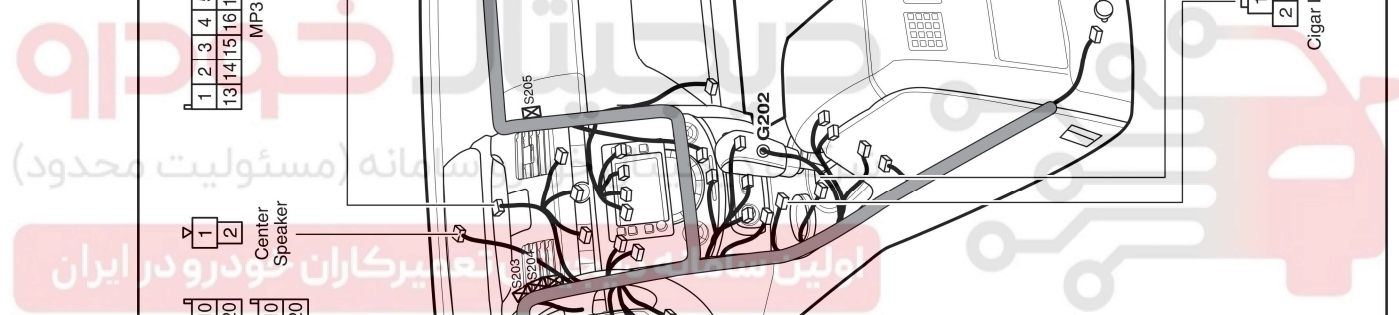
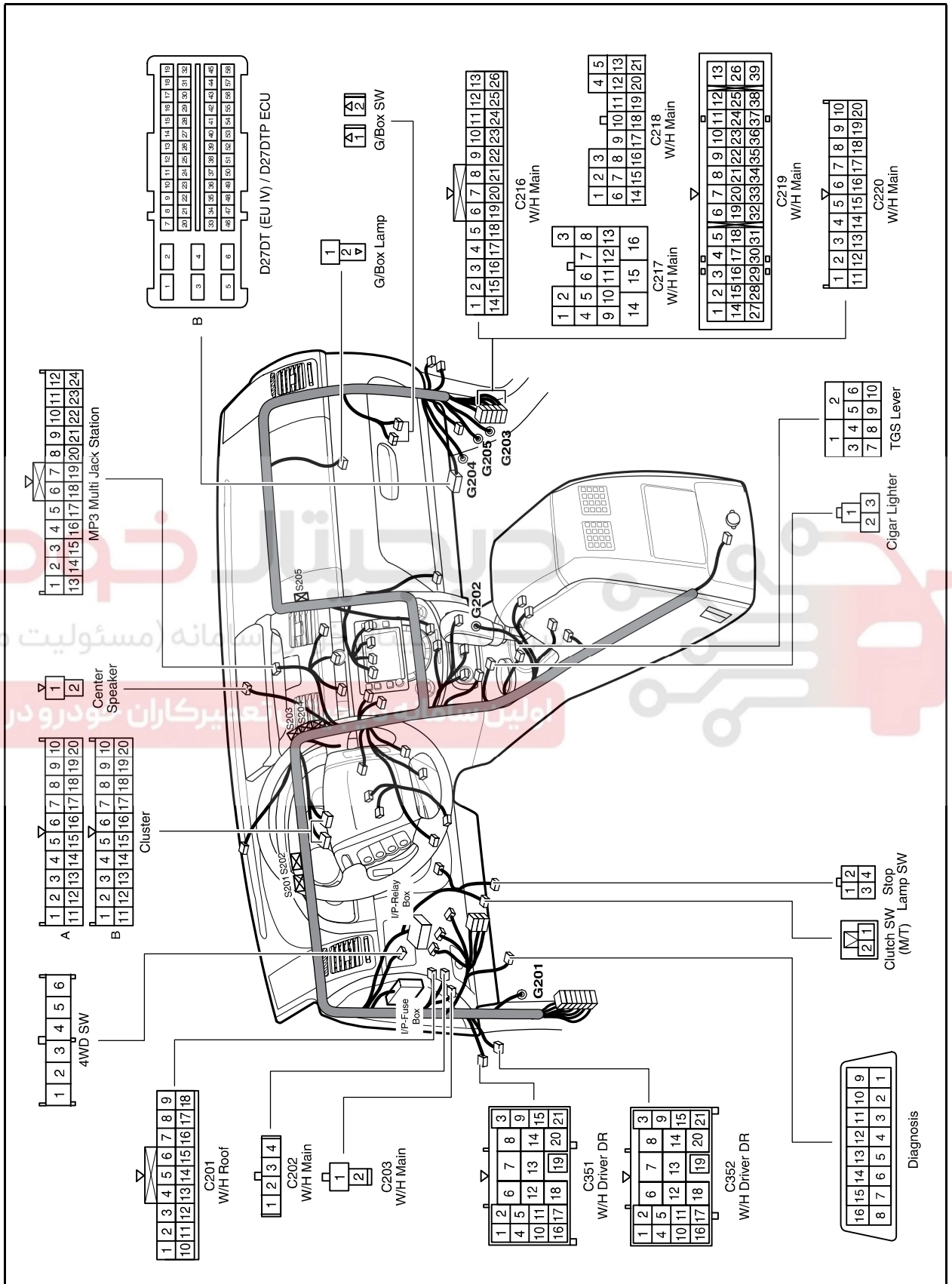
CONNECTORS/GROUNDS

REXTON 2010.01

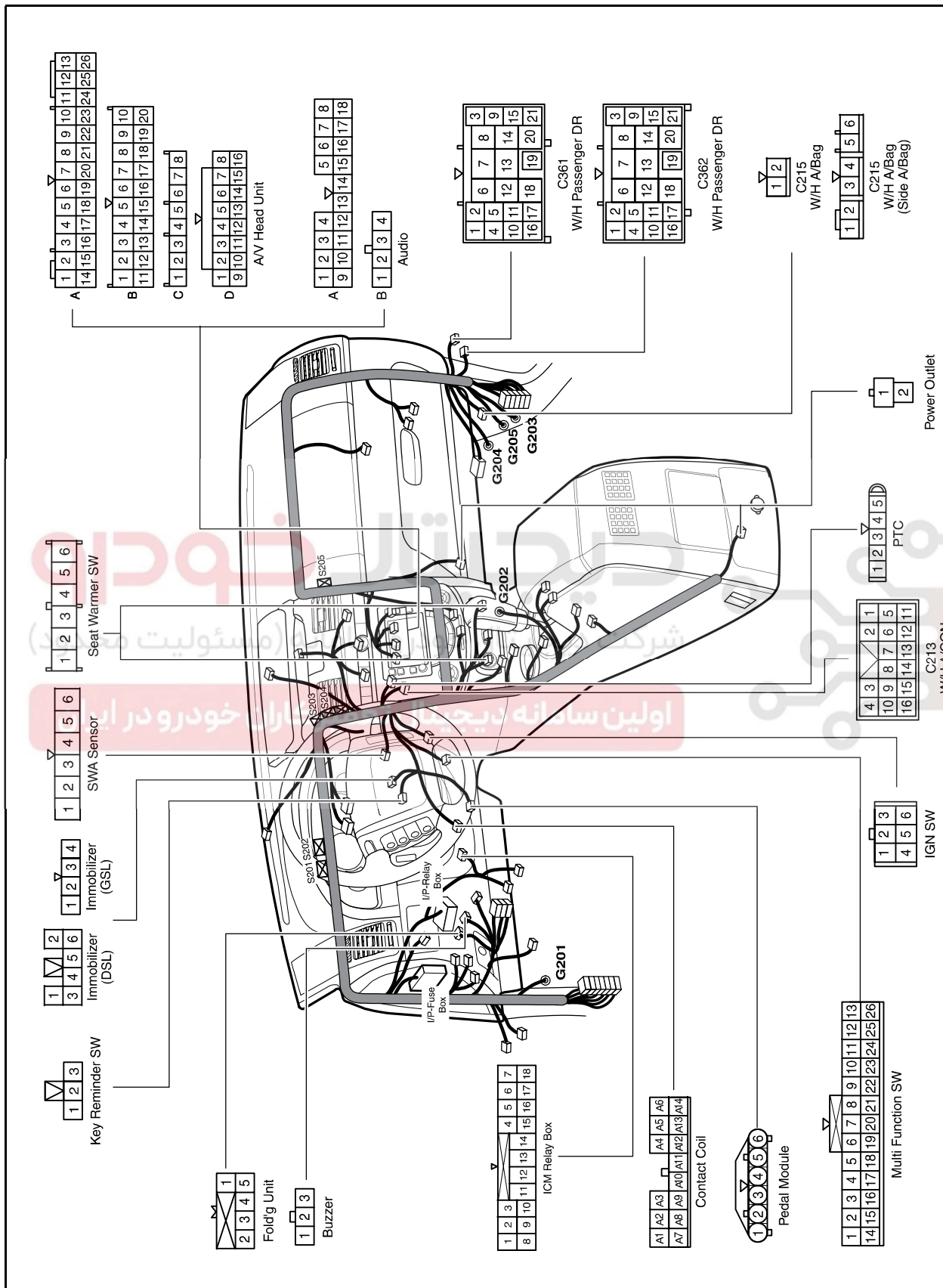
| | |
|--------------------|--|
| Modification basis | |
| Application basis | |
| Affected VIN | |

S.C.N Z
8210-02 W/H MAIN

WIRING
CONNEC
TOR/GR



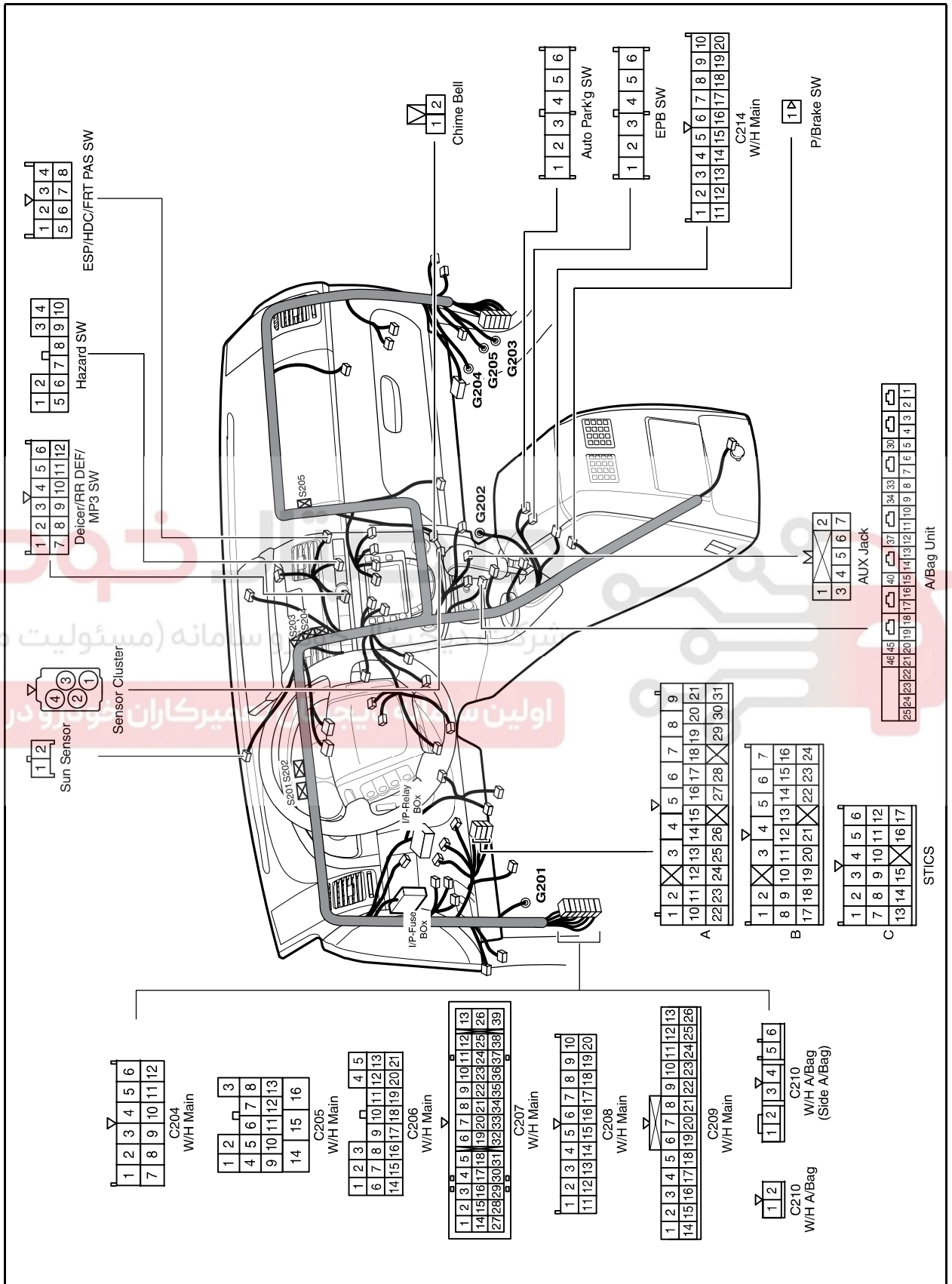
| | |
|--------------------|--|
| Modification basis | |
| Application basis | |
| Affected VIN | |



CONNECTORS/GROUNDS

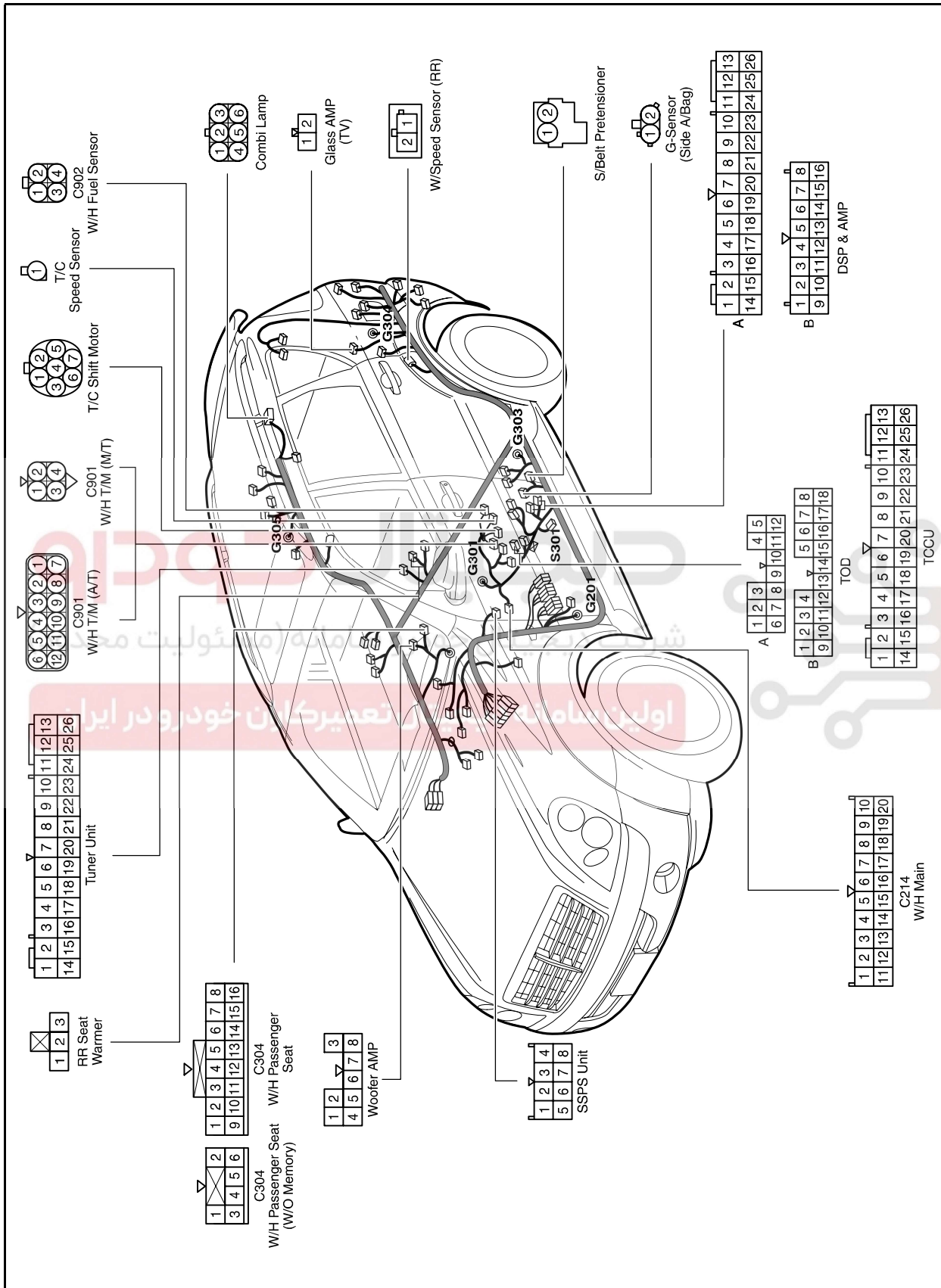
REXTON 2010.01

| | |
|--------------------|--|
| Modification basis | |
| Application basis | |
| Affected VIN | |



| | |
|--------------------|--|
| Modification basis | |
| Application basis | |
| Affected VIN | |

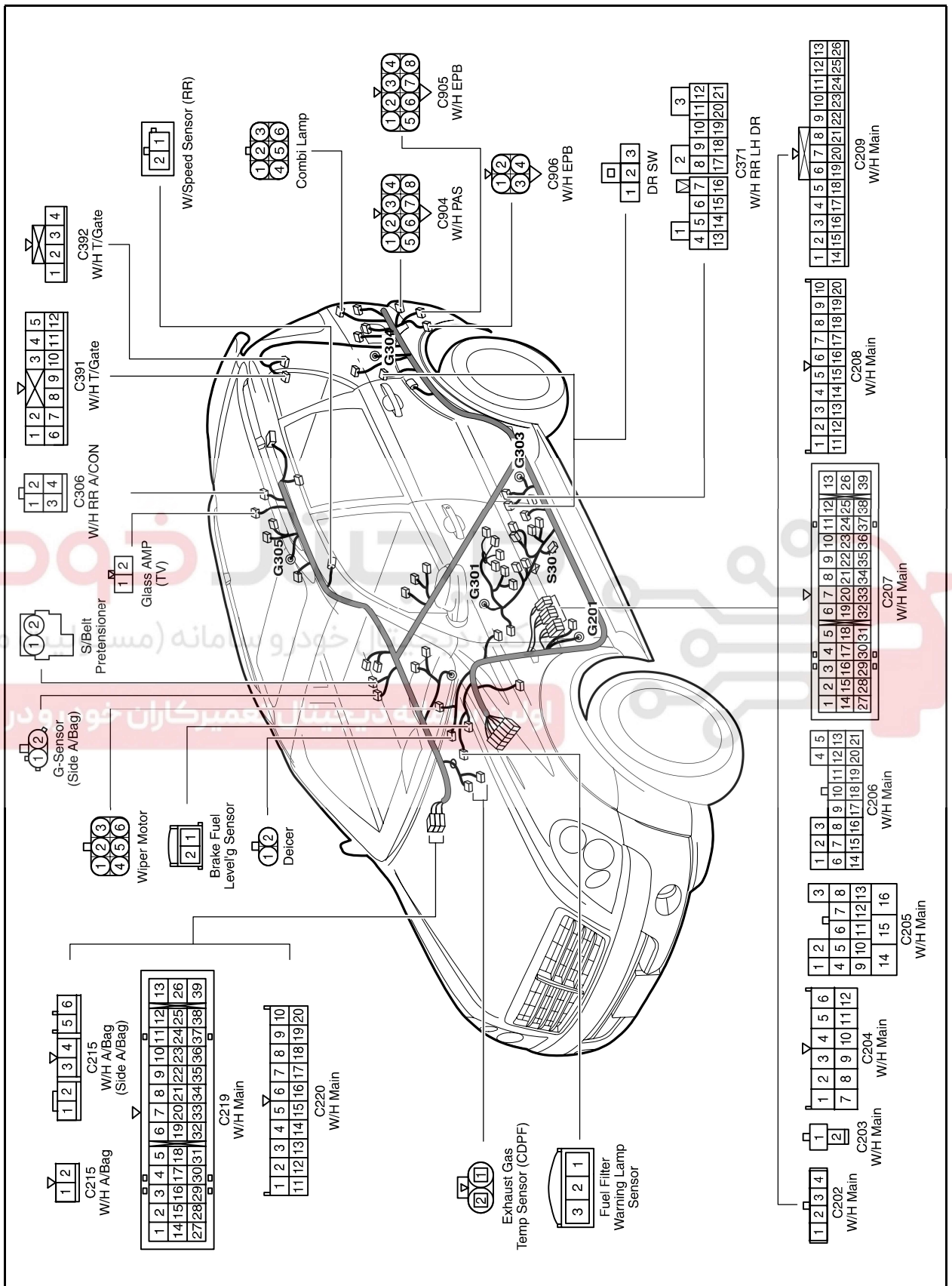
8210-02 W/H FLOOR



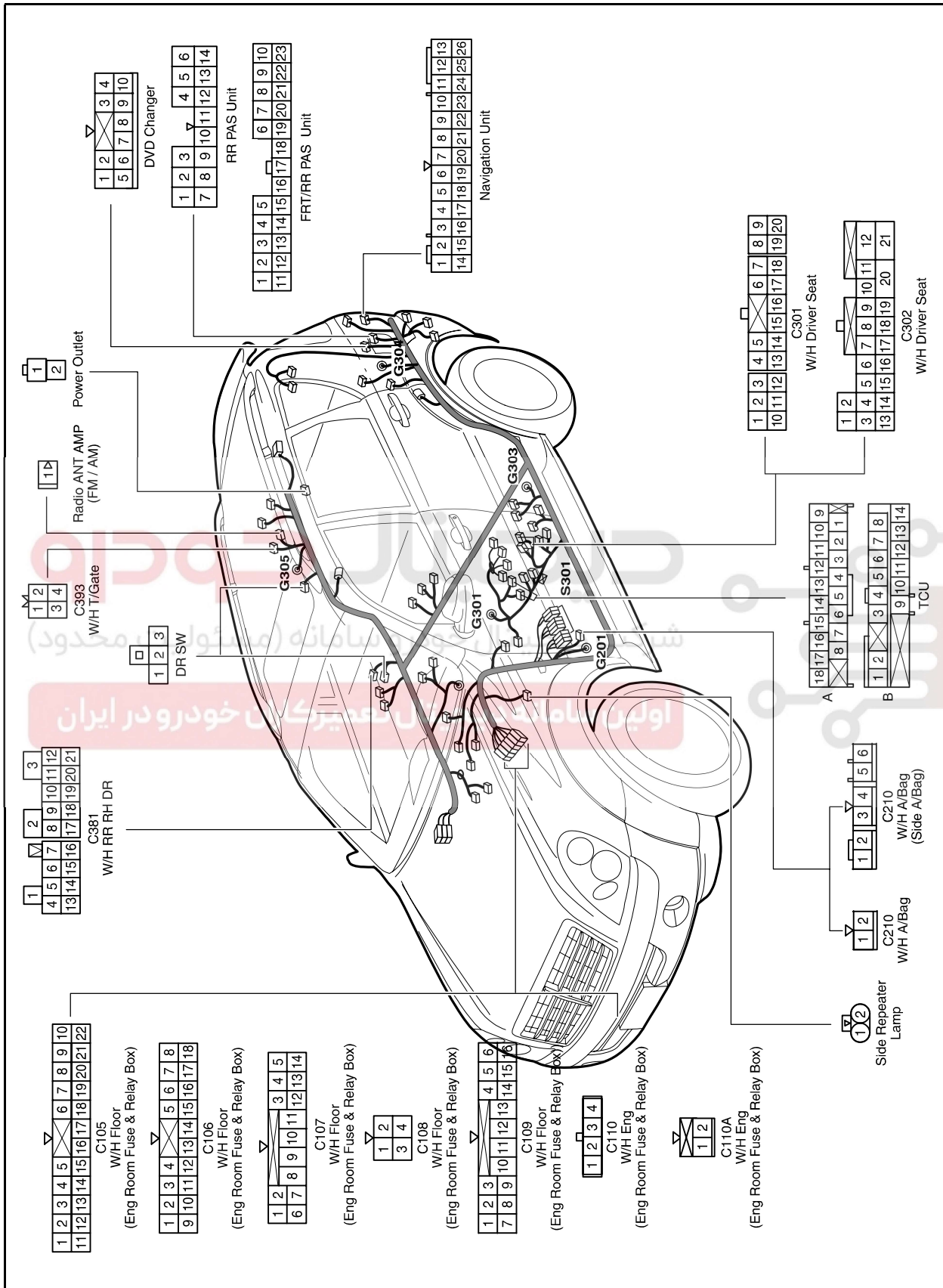
CONNECTORS/GROUNDS

REXTON 2010.01

| | |
|--------------------|--|
| Modification basis | |
| Application basis | |
| Affected VIN | |



| | |
|--------------------|--|
| Modification basis | |
| Application basis | |
| Affected VIN | |



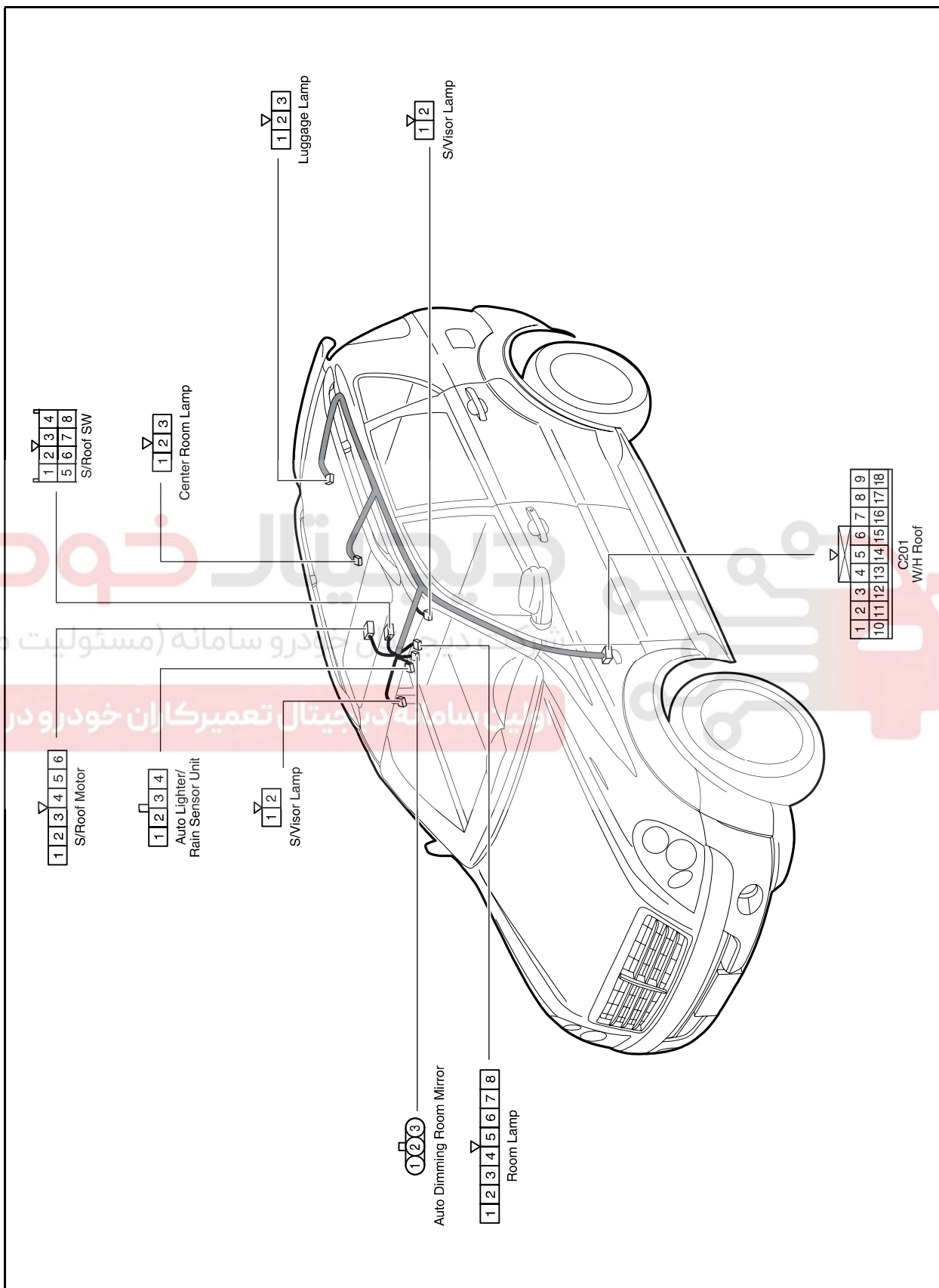
CONNECTORS/GROUNDS

REXTON 2010.01

| | |
|--------------------|--|
| Modification basis | |
| Application basis | |
| Affected VIN | |

S.C.N Z
8210-03 W/H ROOF

WIRING
CONNEC
TOR/GR

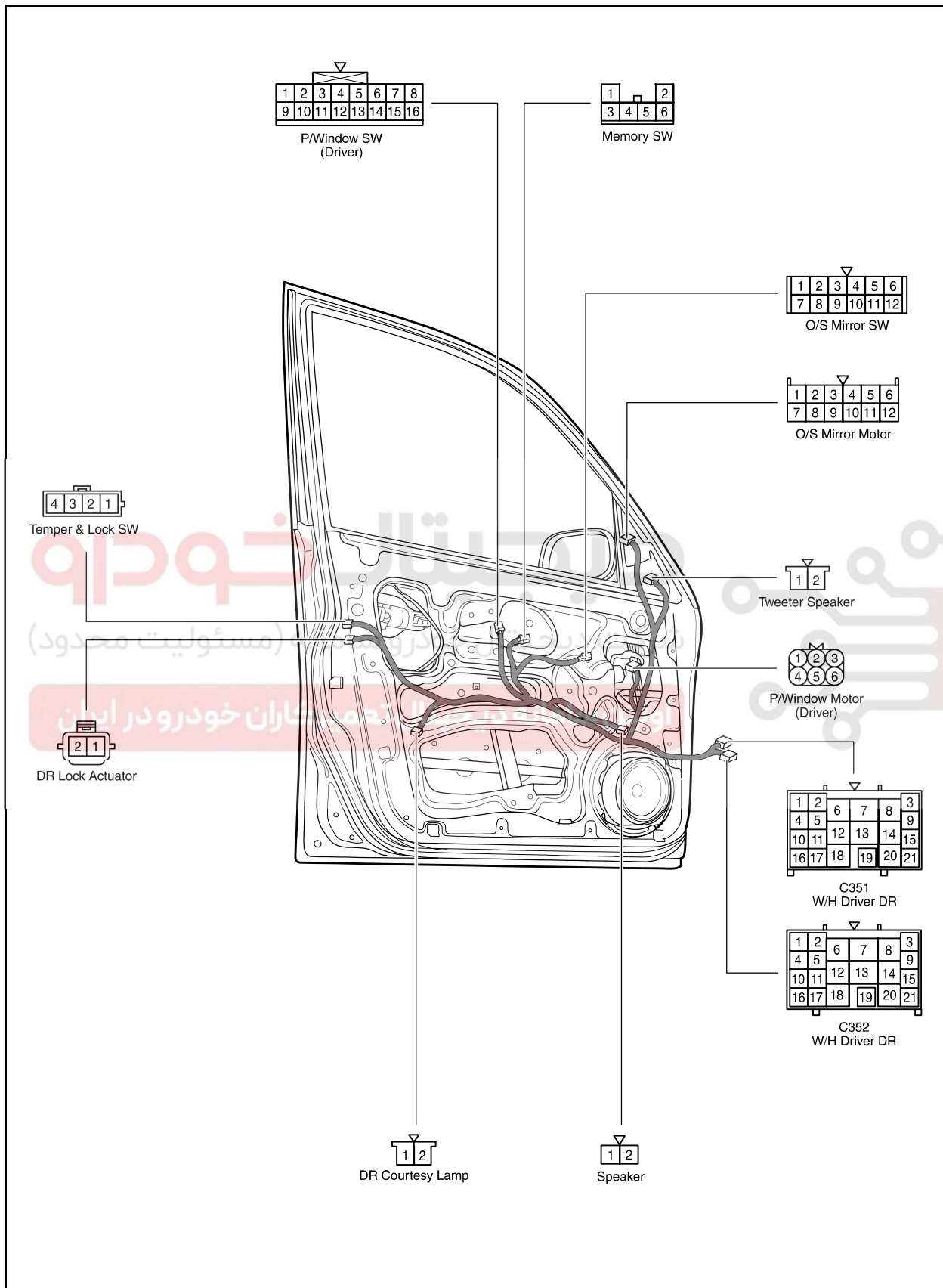


دیجیتال خودرو (مستولبت محدود)
 تعمیر سامانه دیجیتال خودرو در ایران

| | |
|--------------------|--|
| Modification basis | |
| Application basis | |
| Affected VIN | |

CONNECTORS/GROUNDS
REXTON 2010.01

8210-03 PASSENGER DOOR

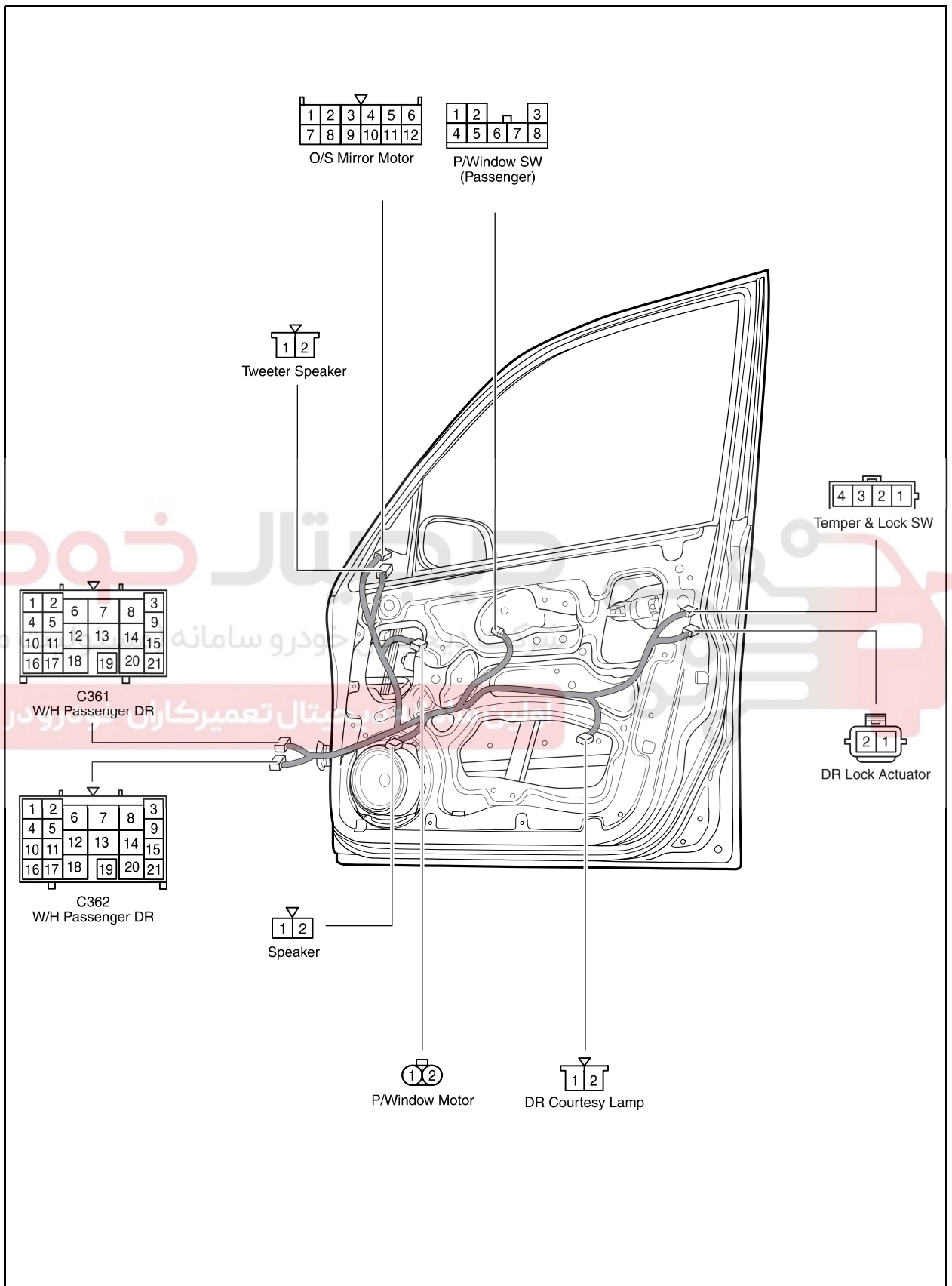


CONNECTORS/GROUNDS

REXTON 2010.01

| | |
|--------------------|--|
| Modification basis | |
| Application basis | |
| Affected VIN | |

S.G.N
8210-03 PASSENGER DOOR

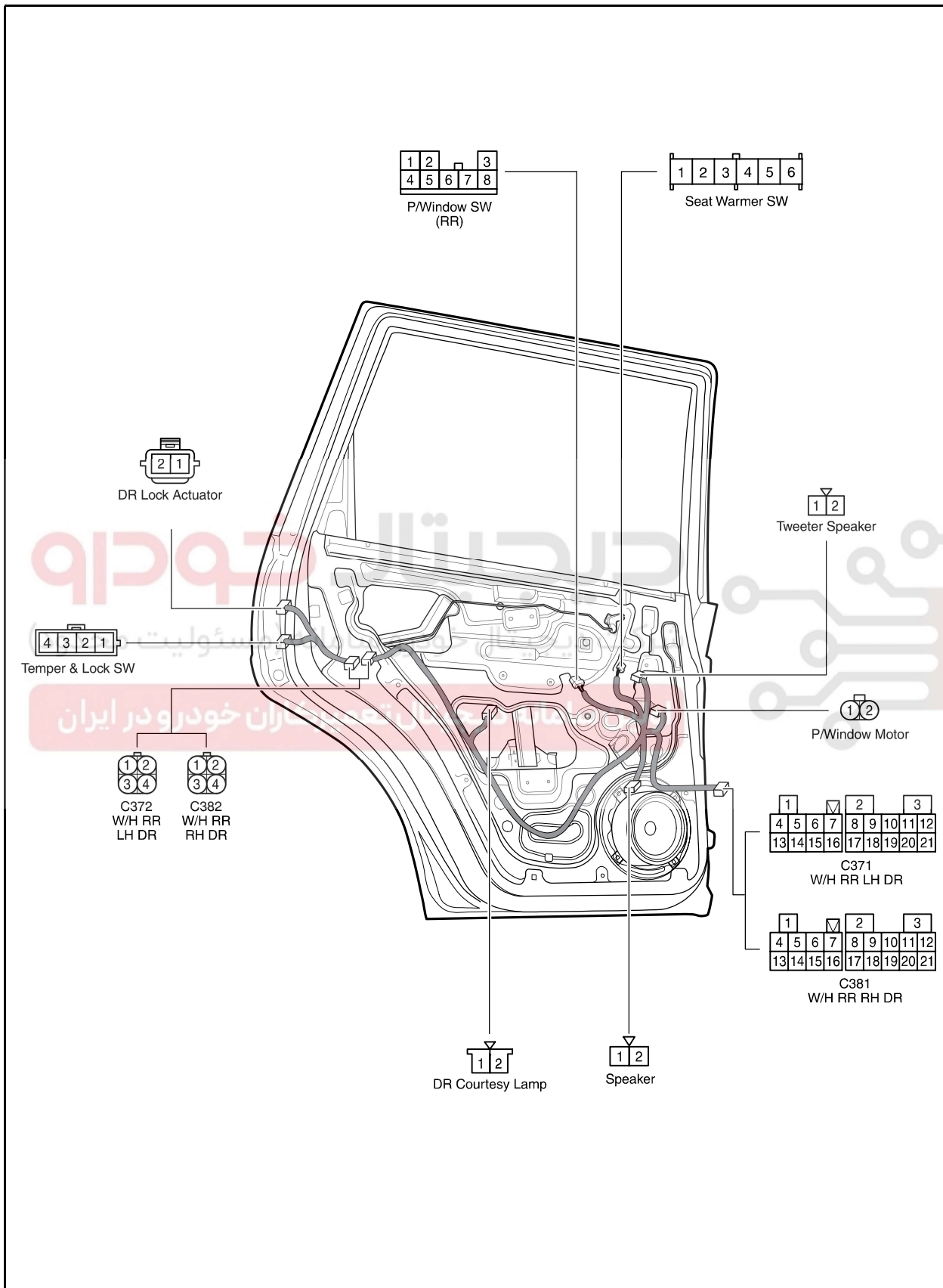


| | |
|--------------------|--|
| Modification basis | |
| Application basis | |
| Affected VIN | |

CONNECTORS/GROUNDS
REXTON 2010.01

02-30 8210-10

S.G.N
8210-03 W/H RR DOOR



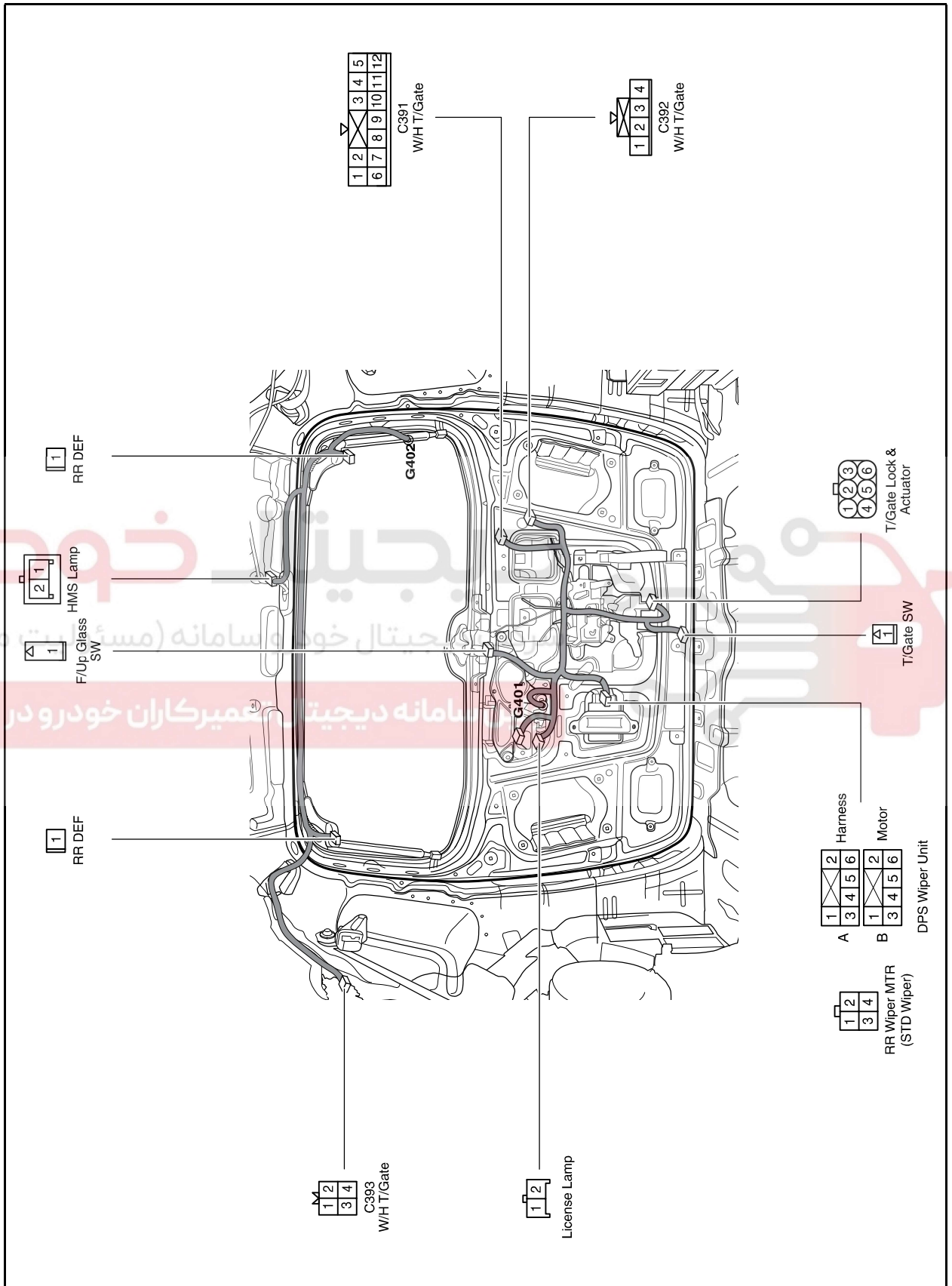
CONNECTORS/GROUNDS

REXTON 2010.01

| | |
|--------------------|--|
| Modification basis | |
| Application basis | |
| Affected VIN | |

S.C.N

8210-09 W/H TAIL GATE



WIRING

CONNECTOR/GR

| | |
|--------------------|--|
| Modification basis | |
| Application basis | |
| Affected VIN | |

CONNECTORS/GROUNDS

REXTON 2010.01