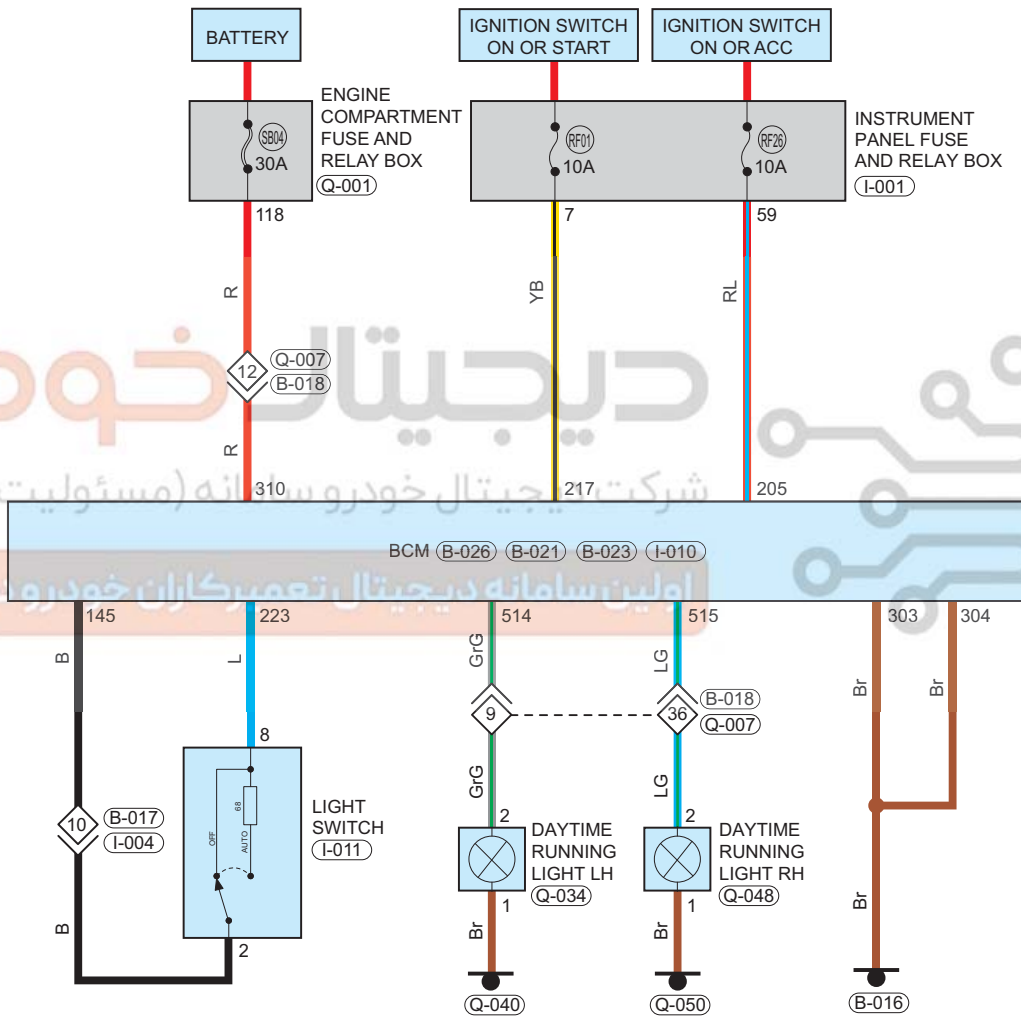


Daytime Running Light

Circuit Diagram (Page 1 of 1)



09

LIE005001