

0501 Interior Trim

1 Trim and Sound Baffle.....	764
2 Occupant Protections.....	796
3 Interior Equipment.....	821
4 Seat.....	833

دیجیتال خودرو

شرکت دیجیتال خودرو سامانه (مسئولیت محدود)

اولین سامانه دیجیتال تعمیرکاران خودرو در ایران



www.digitalkhodro.com

**1 Trim and Sound Baffle**

1.1 Door interior trim.....764  
 1.2 Pillar trim.....771  
 1.3 Luggage compartment and trunk lid trim.....783  
 1.4 Roof interior trim.....791  
 1.5 Carpet.....793

**1.1 Door interior trim**

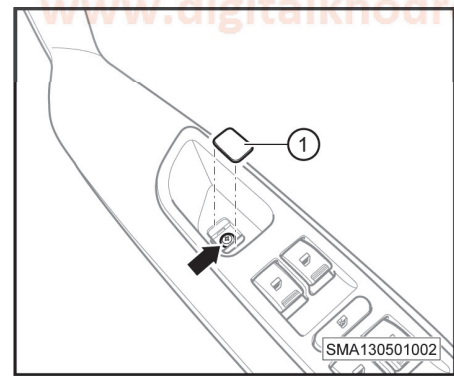
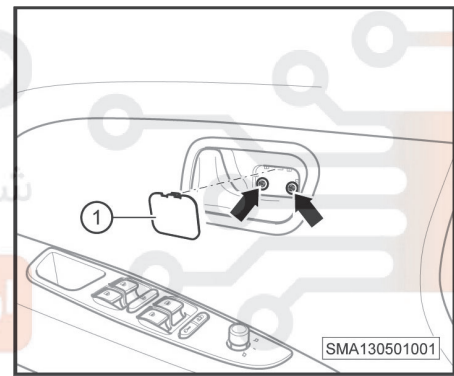
**1.1.1 Removing and installing the driver's side door trim**

**Caution**

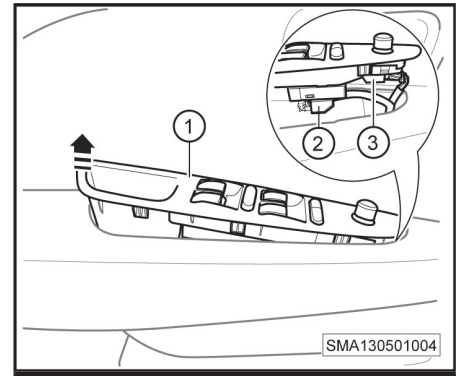
- Please wear protective gloves during repair.
- Remove the door interior trim with an interior trim remover or a similar tool.
- The interior trims and the body paint must never be scratched.
- Replace damaged trim fixing clips.

**Removal**

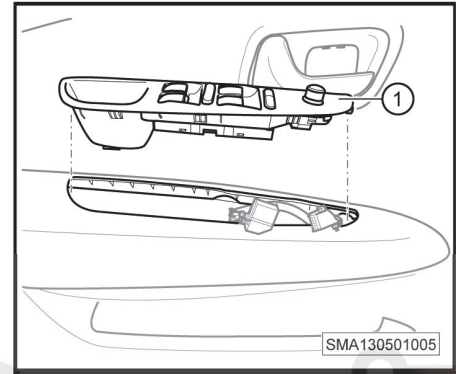
1. Switch off all electrical equipment and the ignition switch, and pull out the key.
2. Lever out the driver's side inner pull handle lid (-1-) and unscrew the inner pull handle fixing screws (-arrow-).
3. Lever out the power window main switch lid (-1-) and unscrew the fixing screw of the power window main switch (-arrow-).



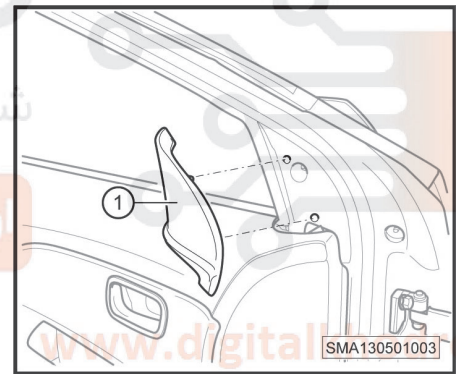
4. Lever out the power window main switch (-1-) in the (-arrow-) direction.
5. Disconnect the power window main switch connectors (-2-) and (-3-).



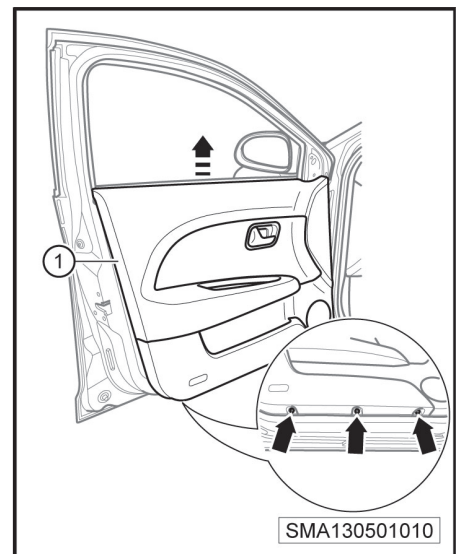
6. Remove the power window main switch (-1-).



7. Remove the triangle block (-1-) inside the driver's side door.

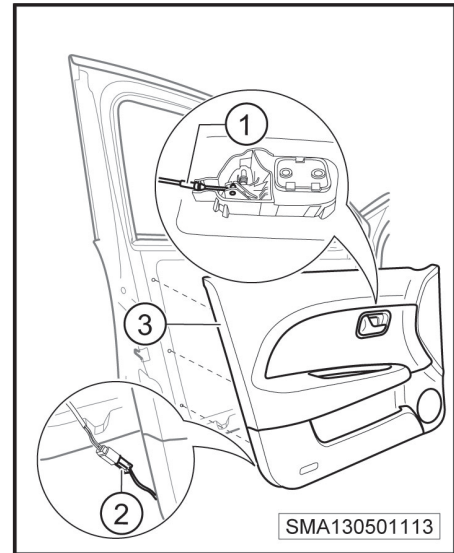


8. Unscrew the lower fixing screws (-arrow-) from the driver's side door trim.
9. Remove the driver's side door trim (-1-) in the (-arrow-) direction.



05 - Body

10. Disengage the front door inner pull handle guy cable (-1-).
11. Disconnect the courtesy light connector (-2-).
12. Remove the driver's side door trim (-3-).



Installation

Installation shall follow the reverse sequence of the removal procedure.

1.1.2 Removing and installing the front passenger's side door trim

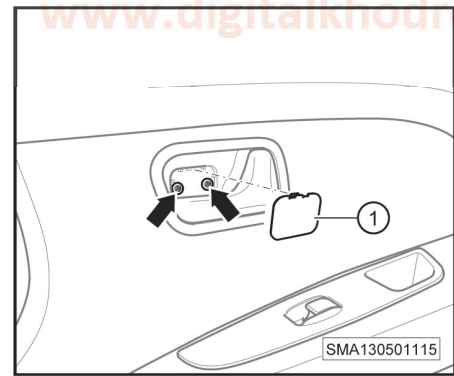
**Caution**

- Please wear protective gloves during repair.
- Remove the door interior trim with an interior trim remover or a similar tool.
- The interior trims and the body paint must never be scratched.
- Replace damaged trim fixing clips.

Removal

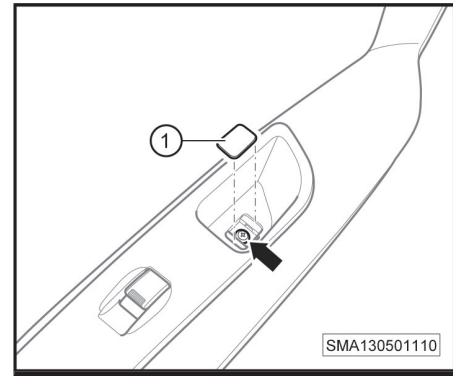
05

1. Switch off all electrical equipment and the ignition switch, and pull out the key.
2. Lever out the front passenger's side inner pull handle lid (-1-) and unscrew the inner pull handle fixing screws (-arrow-).

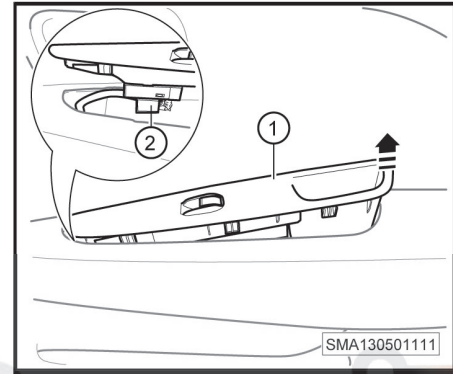




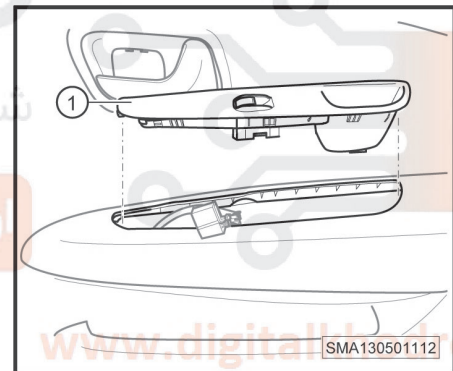
3. Lever out the front passenger's side window switch panel lid (-1-) and unscrew the fixing screw of the front passenger's side window switch panel (-arrow-).



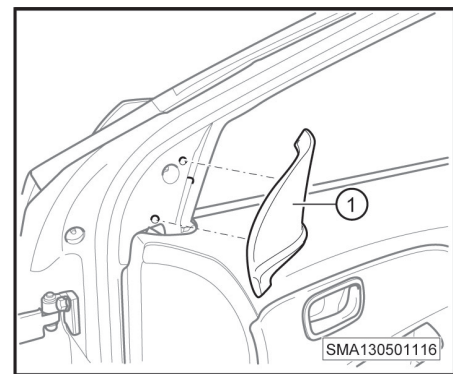
4. Lever out the central switch panel (-1-) in the (-arrow-) direction.  
5. Disconnect the front passenger's side window switch panel connector (-2-).



6. Remove the front passenger's side window switch panel (-1-).

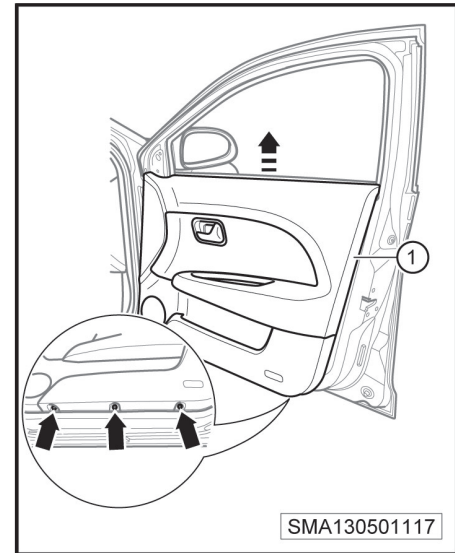


7. Remove the triangle block (-1-) inside the front passenger's side door.

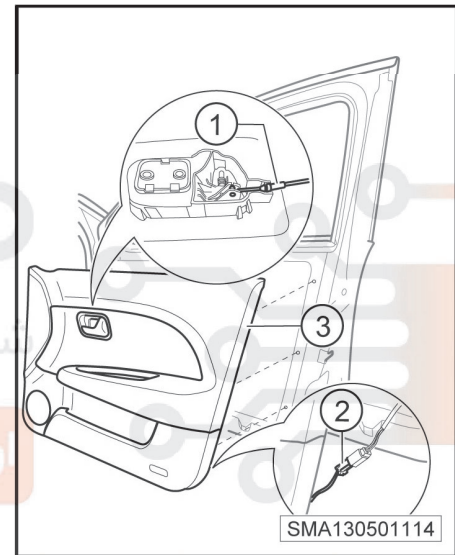


## 05 - Body

8. Unscrew the lower fixing screws of the front passenger's side door trim (-arrow-).
9. Remove the front passenger's side door trim (-1-) in the (-arrow-) direction.



10. Disengage the inner pull handle guy cable (-1-) of the front passenger's side door.
11. Disconnect the courtesy light connector (-2-).
12. Remove the front passenger's side door trim (-3-).



## 05 Installation

Installation shall follow the reverse sequence of the removal procedure.

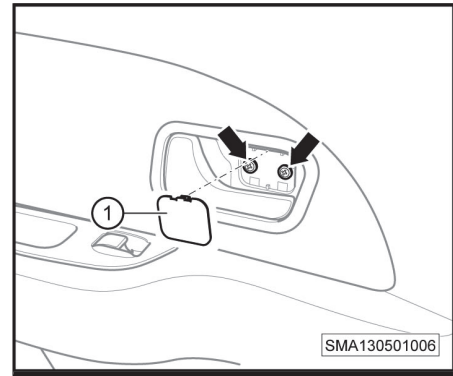
## 1.1.3 Removing and installing the rear door trim

## Caution

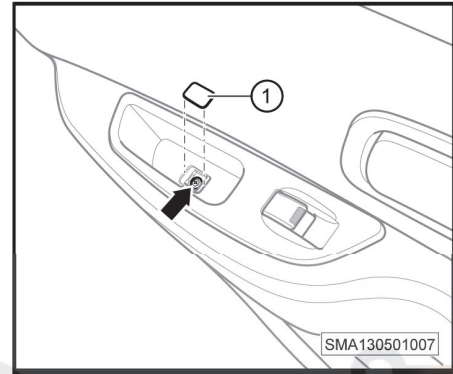
- Please wear protective gloves during repair.
- Remove the door interior trim with an interior trim remover or a similar tool.
- The interior trims and the body paint must never be scratched.
- Replace damaged trim fixing clips.
- The removal and installation procedures of the rear left door trim are the same as that of the rear right one.

**Removal**

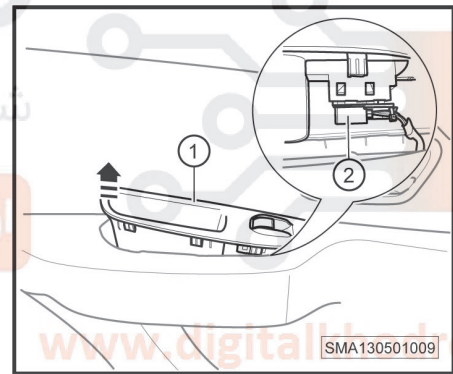
1. Switch off all electrical equipment and the ignition switch, and pull out the key.
2. Lever out the rear door inner pull handle lid (-1-) and unscrew the inner pull handle fixing screws (-arrow-).



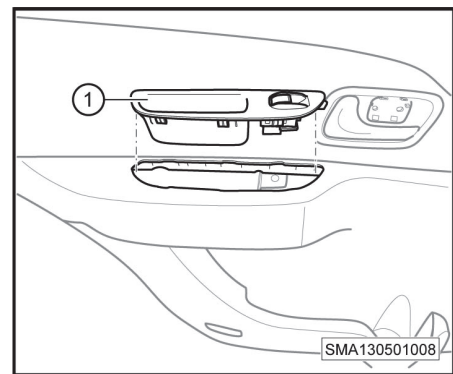
3. Lever out the rear window switch panel lid (-1-) and unscrew the fixing screws of the rear window switch panel (-arrow-).



4. Lever out the central switch panel (-1-) in the (-arrow-) direction.
5. Disconnect the rear window switch panel connector (-2-).

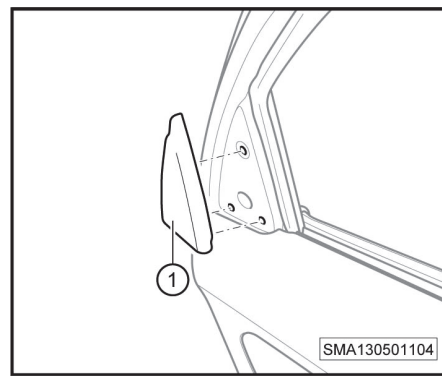


6. Remove the rear window switch panel (-1-).



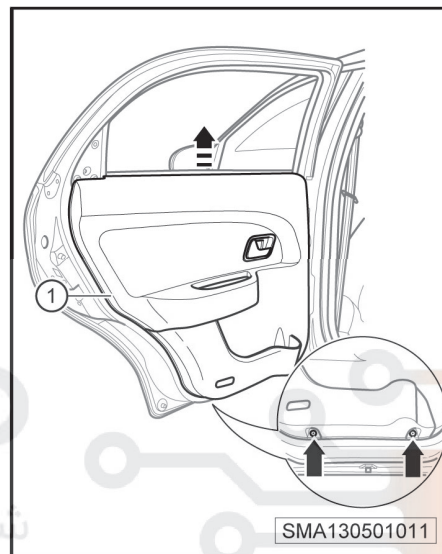
## 05 - Body

7. Remove the triangle block (-1-) inside the rear door.



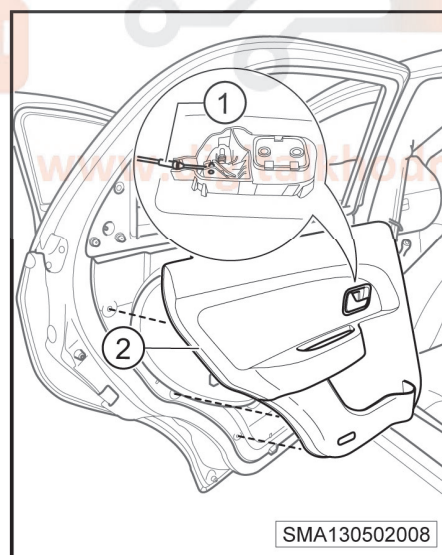
8. Unscrew the lower fixing screws of the rear door trim (-arrow-).

9. Remove the rear door trim (-1-) in the (-arrow-) direction.



10. Disengage the rear door inner pull handle guy cable (-1-).

11. Remove the rear door trim (-2-).

**Installation**

Installation shall follow the reverse sequence of the removal procedure.

## 1.2 Pillar trim

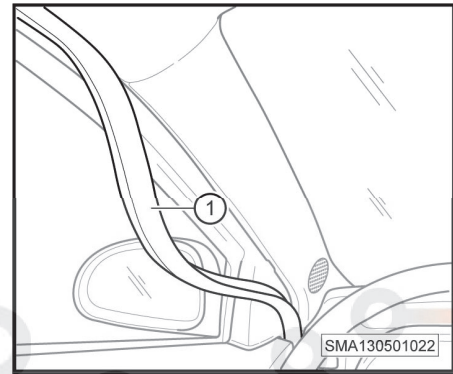
### 1.2.1 Removing and installing the A pillar trim

#### Caution

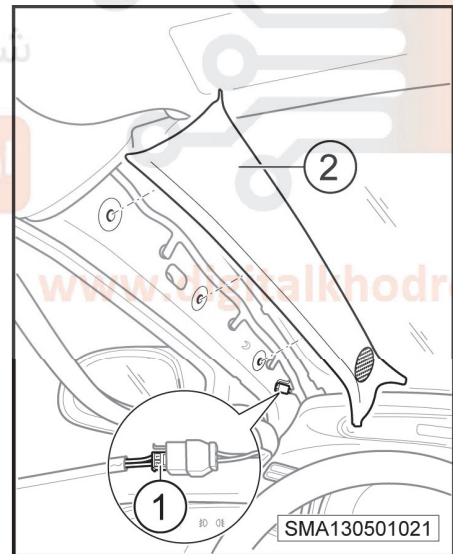
- Please wear protective gloves during repair.
- Remove the A pillar trim with an interior trim remover or a similar tool.
- The interior trims and the body paint must never be scratched.
- Replace damaged trim fixing clips.
- The removal and installation procedures of the left A pillar trim are the same as that of the right one.

#### Removal

1. Switch off all electrical equipment and the ignition switch, and pull out the key.
2. Remove the door seal (-1-).



3. Remove the A pillar trim (-2-) and disconnect the treble horn connector (-1-).
4. Remove the A pillar trim.



#### Installation

Installation shall follow the reverse sequence of the removal procedure.

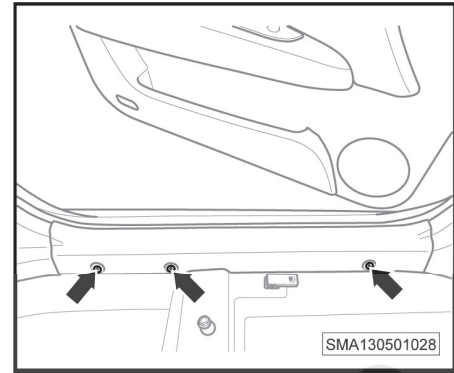
## 1.2.2 Removing and installing the B pillar trim

### Caution

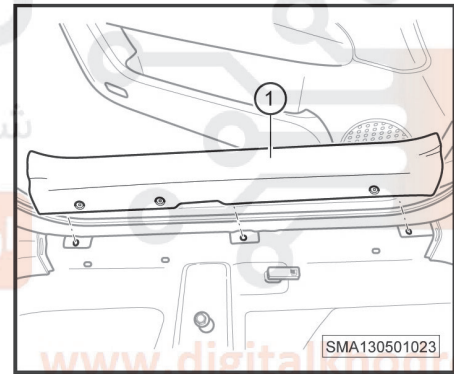
- Please wear protective gloves during repair.
- Remove the B pillar trim with an interior trim remover or a similar tool.
- The interior trims and the body paint must never be scratched.
- Replace the damaged trim fixing clips.
- The removal and installation procedures of the left B pillar trim are the same as that of the right one.

### Removal

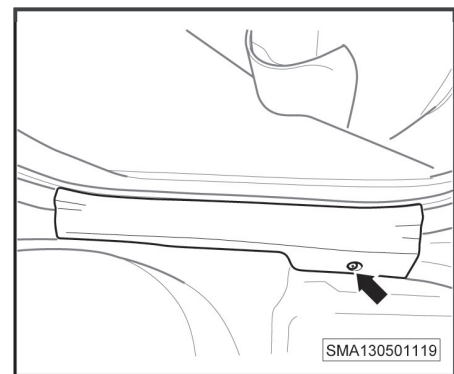
1. Switch off all electrical equipment and the ignition switch, and pull out the key.
2. Unscrew the fixing screws of the front door sill guard plate (-arrow-).



3. Remove the front door sill guard plate (-1-).

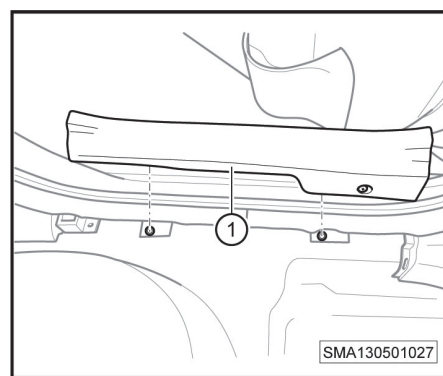


4. Unscrew the fixing screws of the rear door sill guard plate (-arrow-).

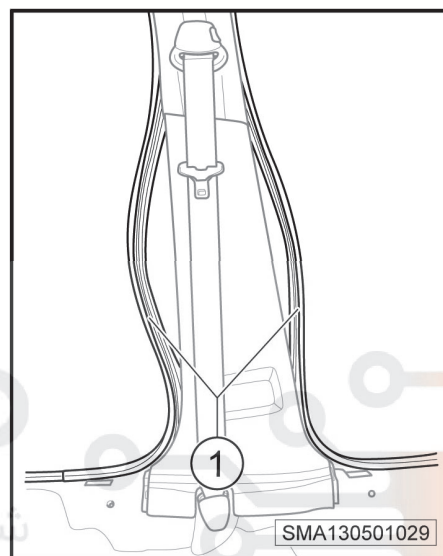




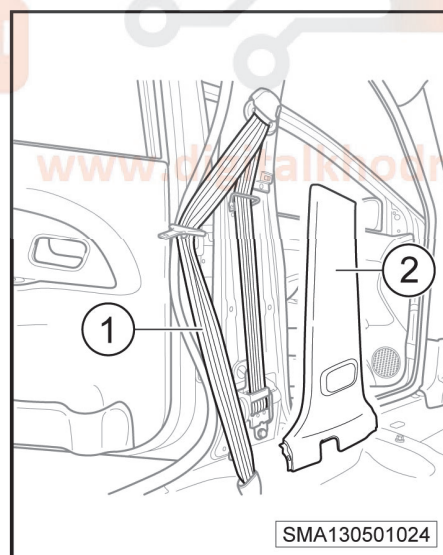
5. Remove the rear door sill guard plate (-1-).



6. Remove the door seal (-1-).



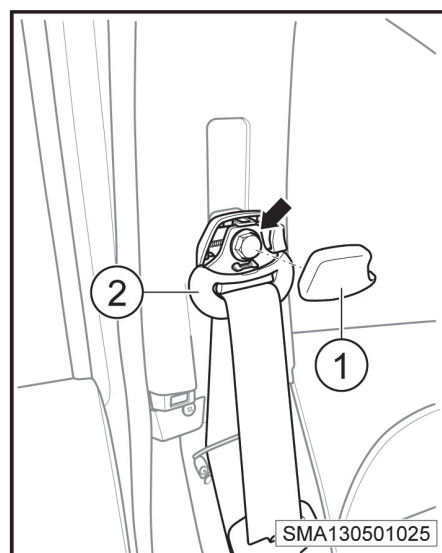
7. Move away the seat belt (-1-) and remove the B pillar lower trim (-2-).



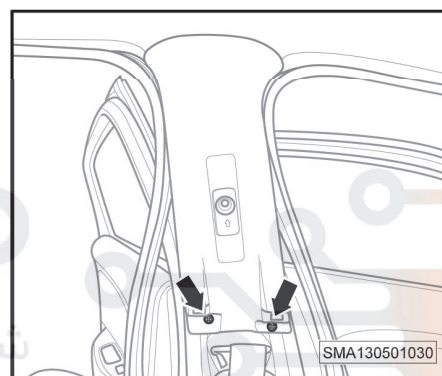


## 05 - Body

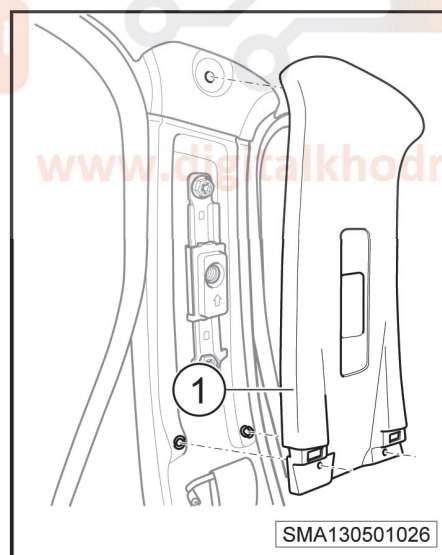
8. Remove the seat belt upper bolt cap (-1-).
9. Unscrew the seat belt upper bolt (-arrow-) and remove the seat belt upper retainer (-2-).



10. Unscrew the fixing screws of the B pillar upper trim (-arrow-).



11. Remove the B pillar upper trim (-1-).

**Installation**

Installation shall follow the reverse sequence of the removal procedure.

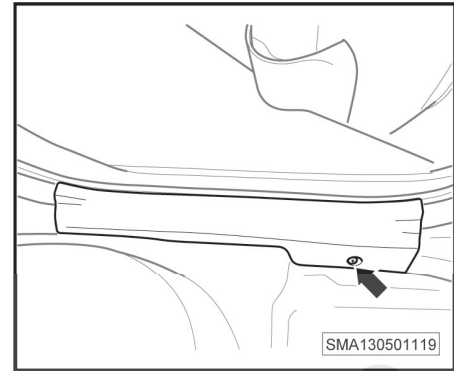
### 1.2.3 Removing and installing the C pillar trim (Model A13)

#### Caution

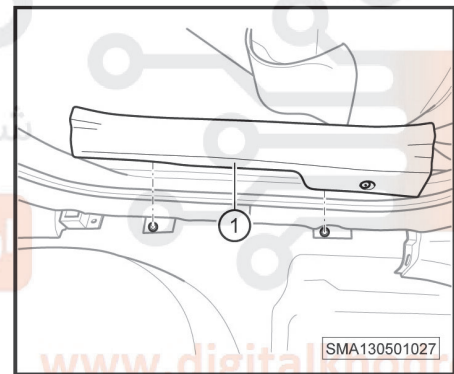
- Please wear protective gloves during repair.
- Remove the C pillar trim with an interior trim remover or a similar tool.
- The interior trims and the body paint must never be scratched.
- Replace damaged trim fixing clips.
- The removal and installation procedures of the left C pillar trim are the same as that of the right one.

#### Removal

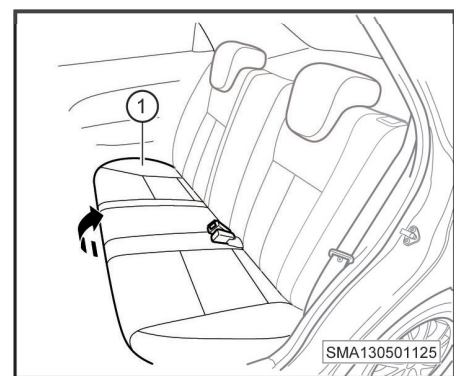
1. Switch off all electrical equipment and the ignition switch, and pull out the key.
2. Remove the rear window shelf .
3. Unscrew the fixing screws of the rear door sill guard plate (-arrow-).



4. Remove the rear door sill guard plate (-1-).

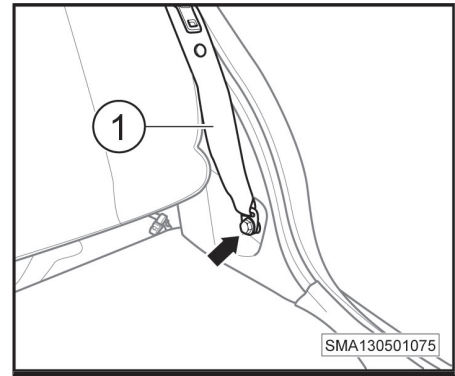


5. Uncover the rear seat cushion (-1-) in the (-arrow-) direction.

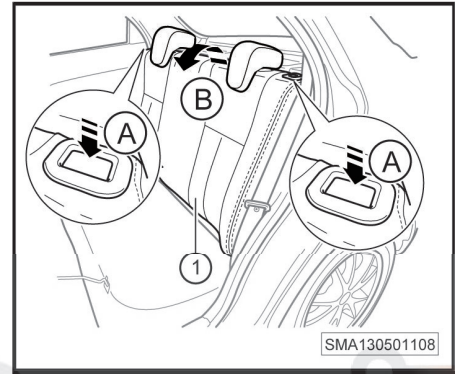


05 - Body

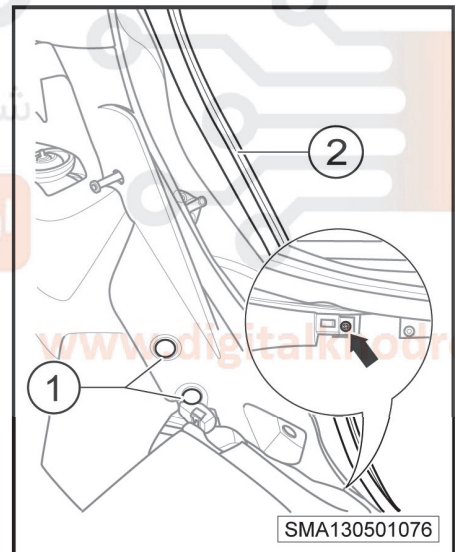
- 6. Unscrew the lower fixing bolts of the rear seat belt (-arrow-).
- 7. Remove the rear seat belt (-1-).



- 8. Press the rear seat backrest buttons in the (-arrow A-) direction.
- 9. Fold down the rear seat backrest (-1-) in the (-arrow B-) direction.



- 10. Remove the fixing cover of the C pillar lower trim (-1-).
- 11. Unscrew the fixing screws of the C pillar lower trim (-arrow-).
- 12. Remove the rear door seal (-2-).

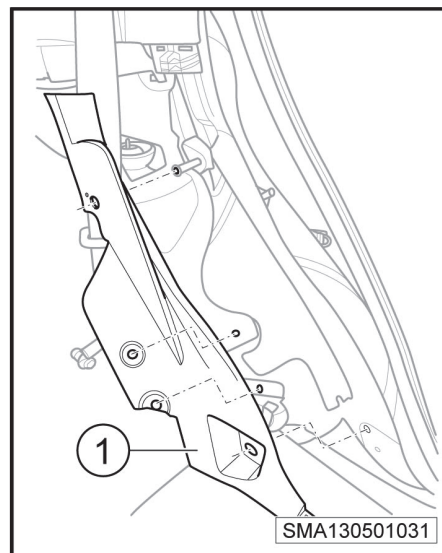


دیجیتال خودرو  
 شرکت دیجیتال خودرو سامانه (مسئله محدود)  
 اولین سامانه دیجیتال تعمیرکاران خودرو در ایران

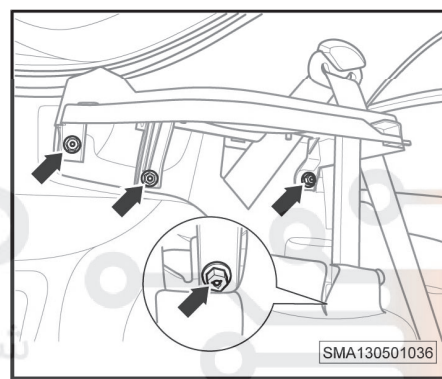
021 62 99 92 92

www.digitalkhodro.com

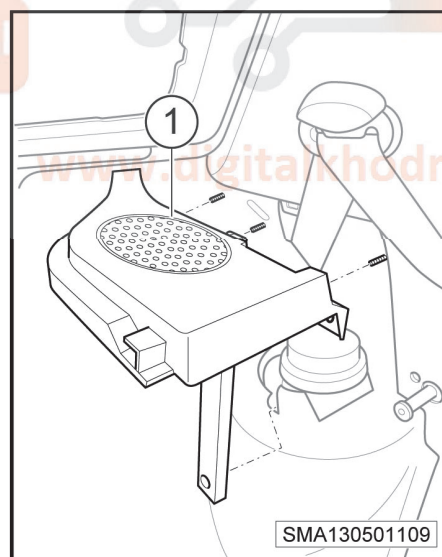
13. Remove the C pillar lower trim (-1-).



14. Unscrew the fixing bolts of the rear window shelf trim (-arrow-).

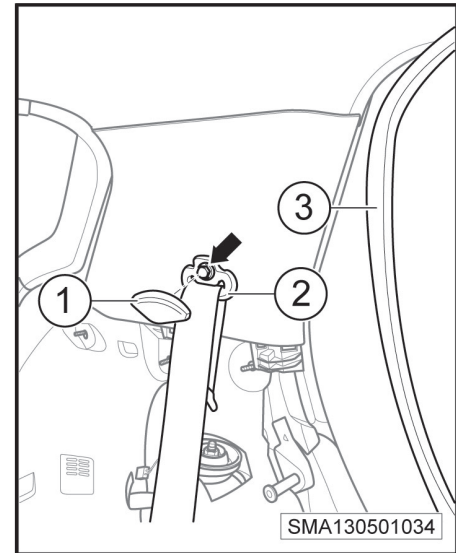


15. Remove the rear window shelf trim (-1-).

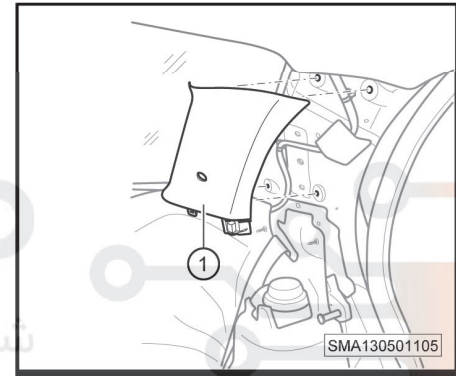


## 05 - Body

16. Remove the rear seat belt fixing bolt cap (-1-).
17. Unscrew the rear seat belt fixing bolts (-arrow-) and remove the rear seat belt (-2-).
18. Remove the rear door seal (-3-).



19. Remove the C pillar trim (-1-).

**Installation**

Installation shall follow the reverse sequence of the removal procedure.

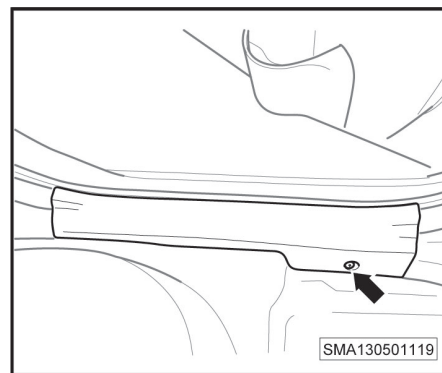
## 05 1.2.4 Removing and installing the C pillar trim (Model A13A)

**Caution**

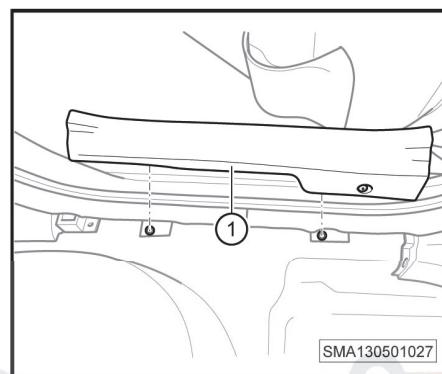
- Please wear protective gloves during repair.
- Remove the C pillar trim with an interior trim remover or a similar tool.
- The interior trims and the body paint must never be scratched.
- Replace damaged trim fixing clips.
- The removal and installation procedures of the left C pillar trim are the same as that of the right one.

**Removal**

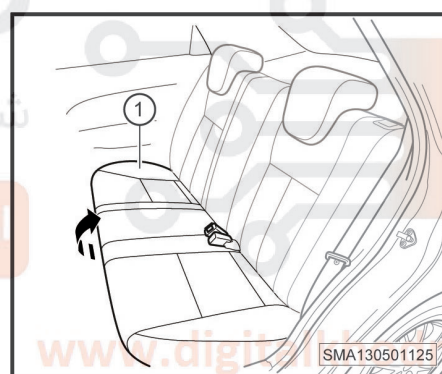
1. Switch off all electrical equipment and the ignition switch, and pull out the key.
2. Remove the rear window shelf .
3. Unscrew the fixing screws of the rear door sill guard plate (-arrow-).



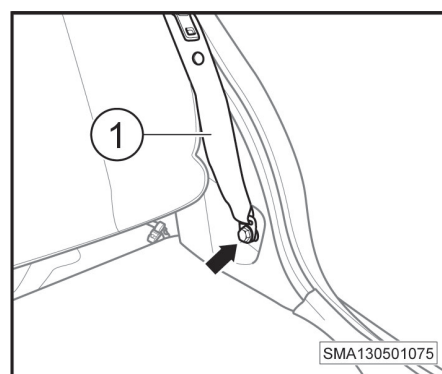
4. Remove the rear door sill guard plate (-1-).



5. Uncover the rear seat cushion (-1-) in the (-arrow-) direction.



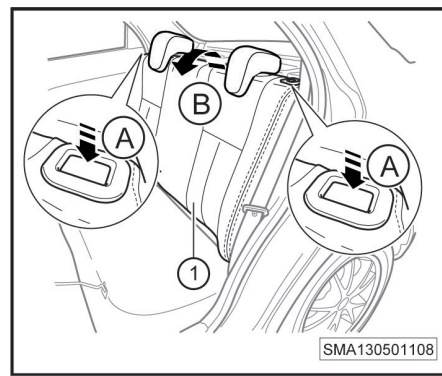
6. Unscrew the lower fixing bolts of the rear seat belt (-arrow-).
7. Remove the rear seat belt (-1-).



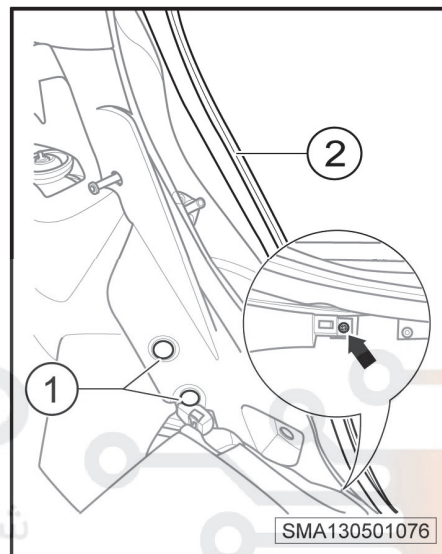


05 - Body

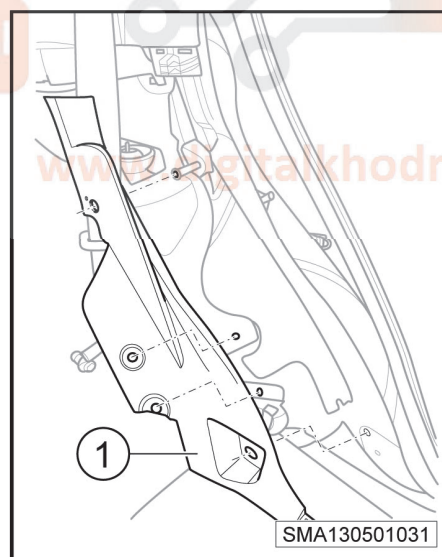
- 8. Press the rear seat backrest buttons in the (-arrow A-) direction.
- 9. Fold down the rear seat backrest (-1-) in the (-arrow B-) direction.



- 10. Remove the fixing cover of the C pillar lower trim (-1-).
- 11. Unscrew the fixing screws of the C pillar lower trim (-arrow-).
- 12. Remove the rear door seal (-2-).



- 13. Remove the C pillar lower trim (-1-).



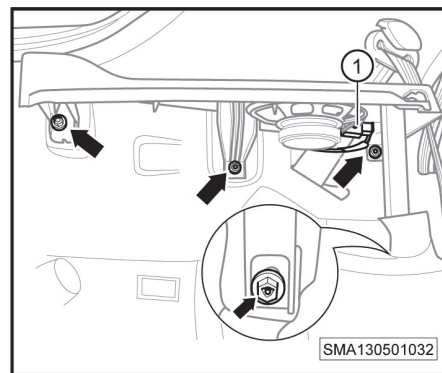
دیجیتال خودرو  
 شرکت دیجیتال خودرو سامانه (مسئولیت محدود)  
 اولین سامانه دیجیتال تعمیرکاران خودرو در ایران

021 62 99 92 92

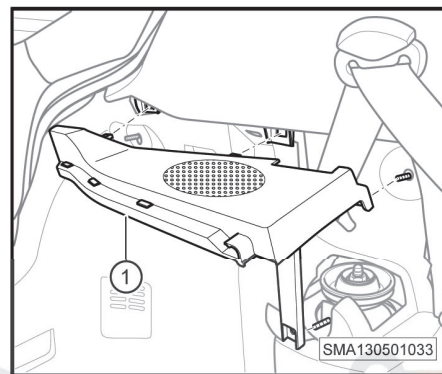
www.digitalkhodro.com



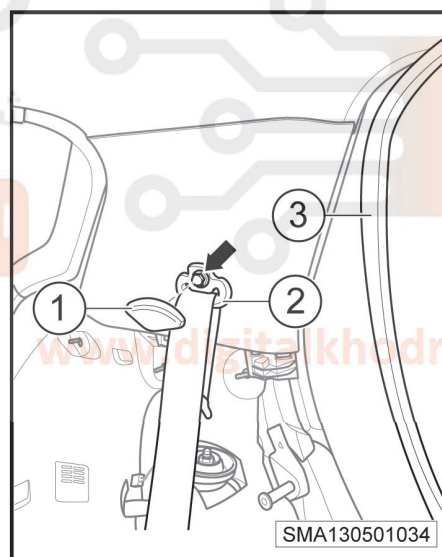
14. Disconnect the horn connector (-1-).
15. Unscrew the fixing bolts of the rear window shelf trim (-arrow-).



16. Remove the rear window shelf trim (-1-).

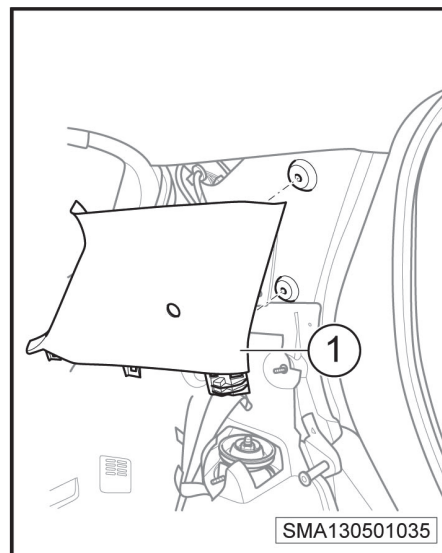


17. Remove the rear seat belt fixing bolt cap (-1-).
18. Unscrew the rear seat belt fixing bolts (-arrow-) and remove the rear seat belt (-2-).
19. Remove the rear door seal (-3-).



05 - Body

20. Remove the C pillar trim (-1-).



Installation

Installation shall follow the reverse sequence of the removal procedure.

دیجیتال خودرو

شرکت دیجیتال خودرو سامانه (مسئولیت محدود)

اولین سامانه دیجیتال تعمیرکاران خودرو در ایران



www.digitalkhodro.com

021 62 99 92 92

## 1.3 Luggage compartment and trunk lid trim

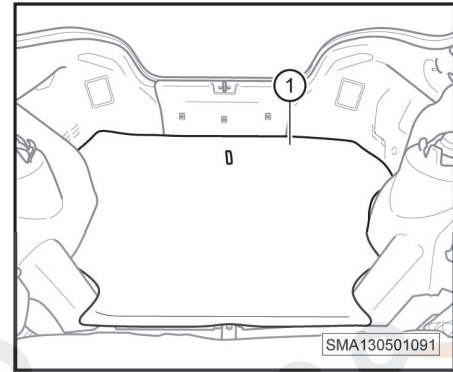
### 1.3.1 Removing and installing the luggage compartment trim (Model A13)

#### Caution

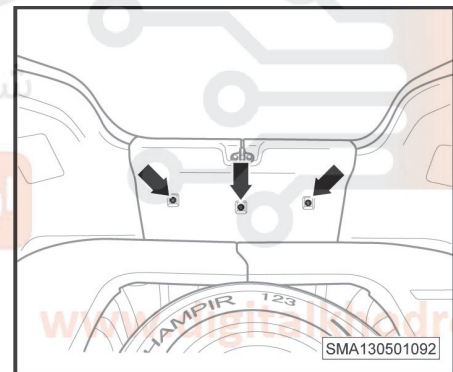
- Please wear protective gloves during repair.
- Remove the luggage compartment trim with an interior trim remover or a similar tool.
- The interior trims and the body paint must never be scratched.
- Replace damaged trim fixing clips.

#### Removal

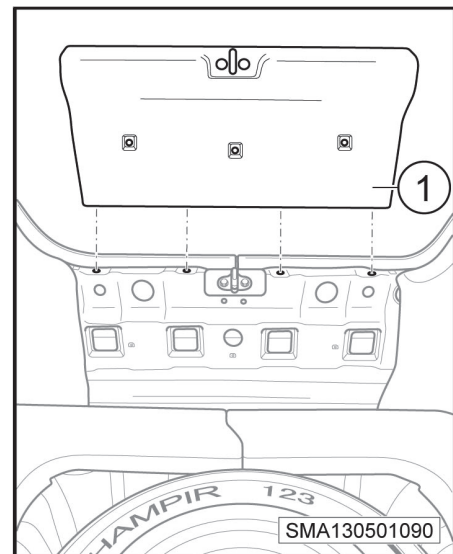
1. Switch off all electrical equipment and the ignition switch, and pull out the key.
2. Remove the C pillar trim (Model A13) => refer to page 775.
3. Remove the luggage compartment lights .
4. Remove the luggage compartment floor (-1-).



5. Unscrew the fixing screws of the luggage compartment rear trim (-arrow-).

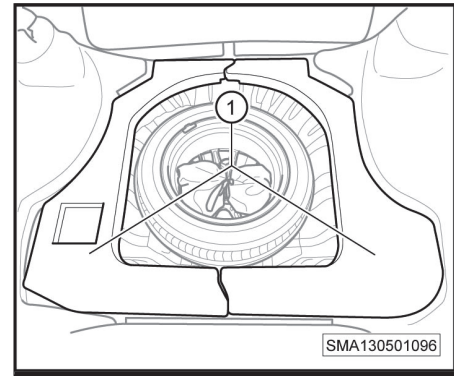


6. Remove the luggage compartment rear trim (-1-).



## 05 - Body

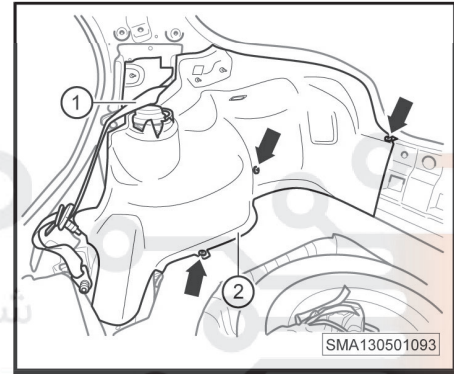
7. Remove the luggage compartment mat (-1-).



**i** Note

- The removal and installation procedures of the left luggage compartment trim are the same as that of the right one.

8. Remove the rear seat belt (-1-).  
 9. Unscrew the fixing screws of the luggage compartment side trim (-arrow-).  
 10. Remove the luggage compartment side trim (-2-).



**Installation**

Installation shall follow the reverse sequence of the removal procedure.

05

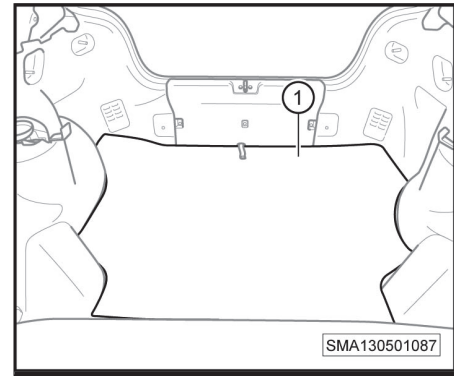
**1.3.2 Removing and installing the luggage compartment trim (Model A13A)**

**👁 Caution**

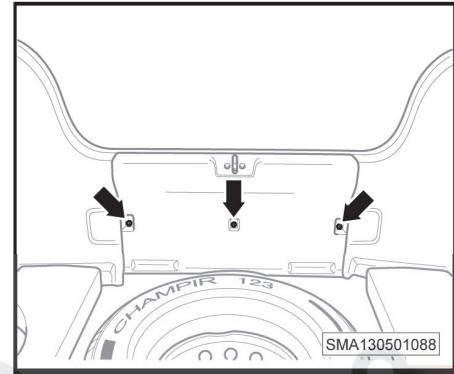
- Please wear protective gloves during repair.
- Remove the luggage compartment trim with an interior trim remover or a similar tool.
- The interior trims and the body paint must never be scratched.
- Replace damaged trim fixing clips.

**Removal**

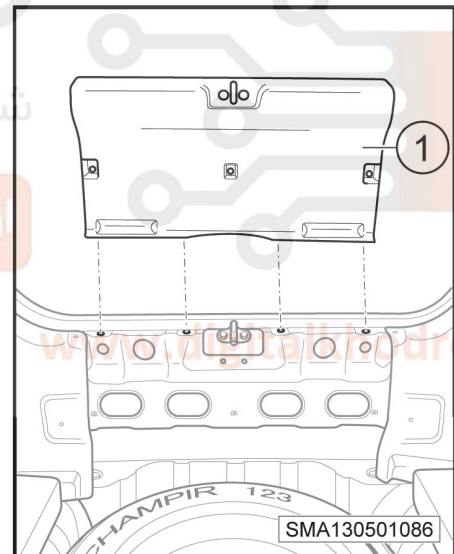
1. Switch off all electrical equipment and the ignition switch, and pull out the key.
2. Remove the C pillar trim (Model A13A) => refer to page 778.
3. Remove the luggage compartment trim lights .
4. Remove the luggage compartment floor (-1-).



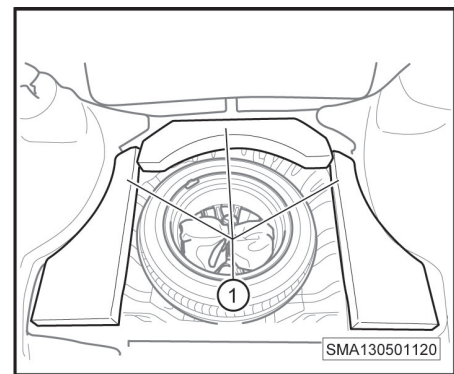
5. Unscrew the fixing screws of the luggage compartment rear trim (-arrow-).



6. Remove the luggage compartment rear trim (-1-).



7. Remove the luggage compartment mat (-1-).

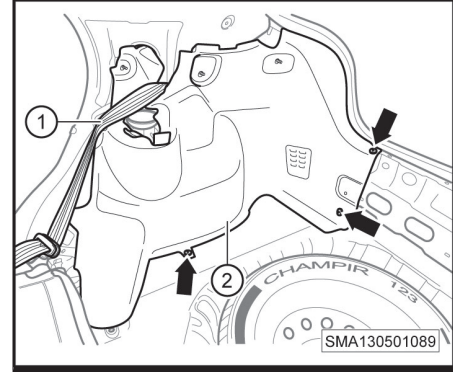


## 05 - Body

**i** Note

- The removal and installation procedures of the left luggage compartment trim are the same as that of the right one.

- Remove the rear seat belt (-1-).
- Unscrew the fixing screws of the luggage compartment side trim (-arrow-).
- Remove the luggage compartment side trim (-2-).

**Installation**

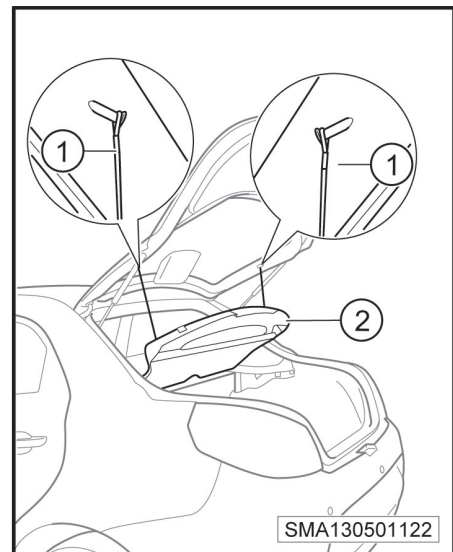
Installation shall follow the reverse sequence of the removal procedure.

**1.3.3 Removing and installing the trunk lid trim (Model A13)****Caution**

- Please wear protective gloves during repair.
- Remove the trunk lid trim with an interior trim remover or a similar tool.
- The interior trims and the body paint must never be scratched.
- Replace damaged trim fixing clips.

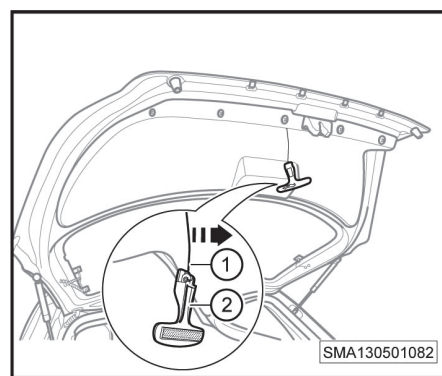
**Removal**

- Switch off all electrical equipment and the ignition switch, and pull out the key.
- Remove the rear window shelf trim hooks on both sides (-1-).
- Remove the rear window shelf trim (-2-).

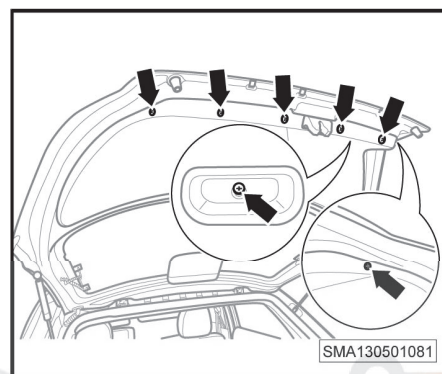




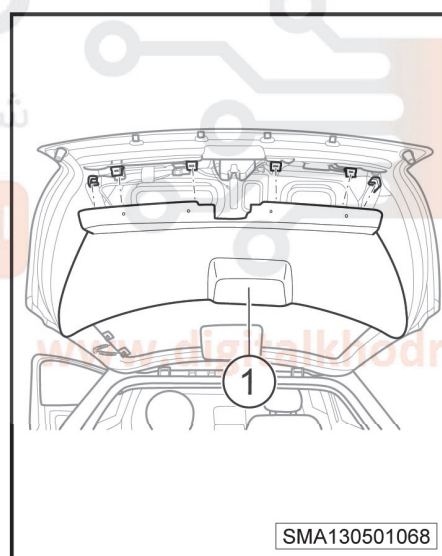
4. Remove the cable (-1-) in the (-arrow-) direction.
5. Remove the emergency escape pull handle (-2-).



6. Unscrew the fixing screws of the trunk lid trim (-arrow-).



7. Remove the trunk lid trim (-1-).



### Installation

Installation shall follow the reverse sequence of the removal procedure.



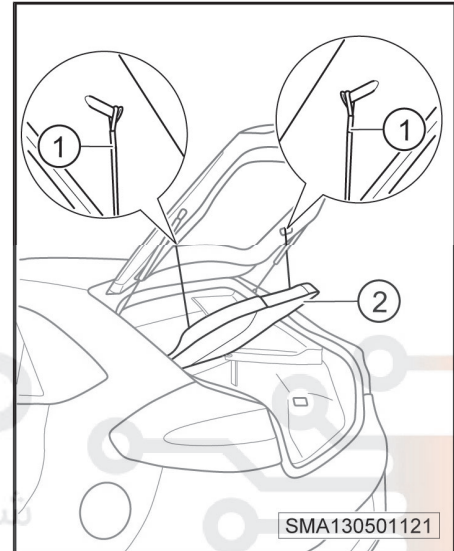
### 1.3.4 Removing and installing the trunk lid trim (Model A13A)

#### Caution

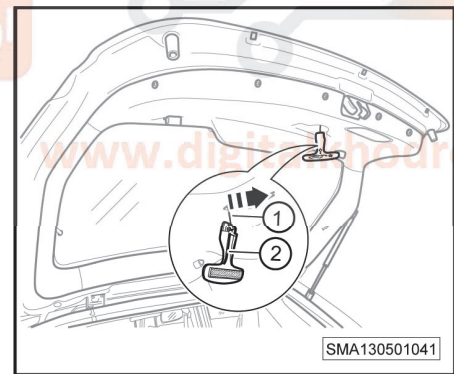
- Please wear protective gloves during repair.
- Remove the trunk lid trim with an interior trim remover or a similar tool.
- The interior trims and the body paint must never be scratched.
- Replace damaged trim fixing clips.

#### Removal

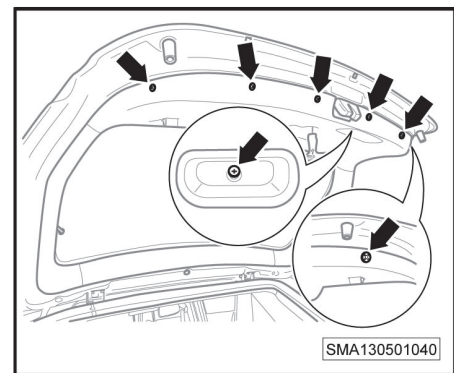
1. Switch off all electrical equipment and the ignition switch, and pull out the key.
2. Remove the rear window shelf trim hooks on both sides (-1-).
3. Remove the rear window shelf trim (-2-).



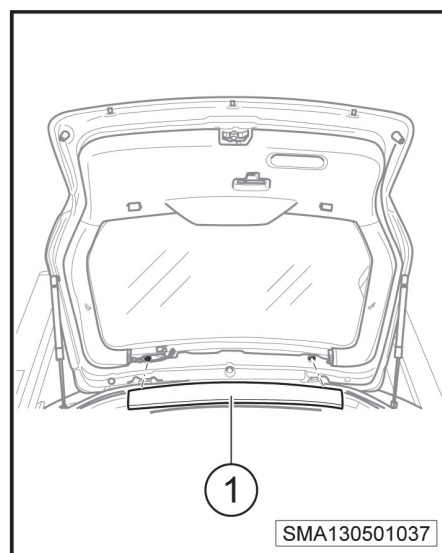
4. Remove the cable (-1-) in the (-arrow-) direction.
5. Remove the emergency escape pull handle (-2-).



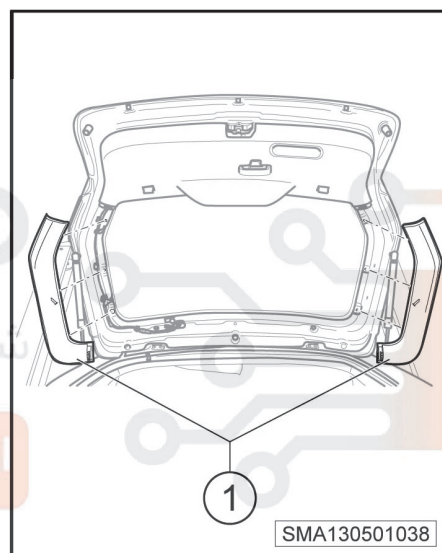
6. Unscrew the fixing screws of the trunk lid trim (-arrow-).



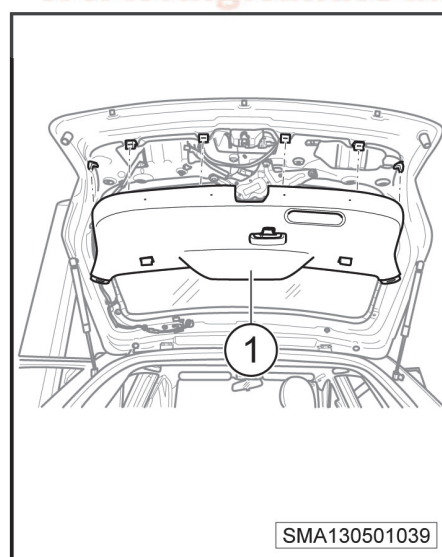
7. Remove the trunk lid side trim (-1-).



8. Remove the trunk lid trim (-1-).



9. Remove the trunk lid upper trim (-1-).



Installation

05 - Body

---

Installation shall follow the reverse sequence of the removal procedure.

دیجیتال خودرو

شرکت دیجیتال خودرو سامانه (مسئولیت محدود)

اولین سامانه دیجیتال تعمیرکاران خودرو در ایران



021 62 99 92 92

www.digitalkhodro.com

## 1.4 Roof interior trim

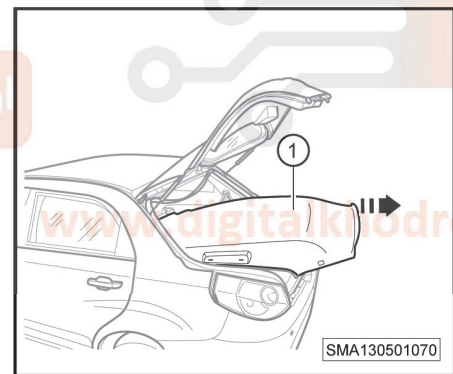
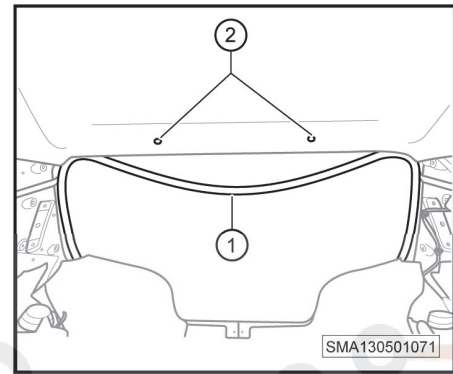
### 1.4.1 Removing and installing the roof interior trim (Model A13)

#### Caution

- Please wear protective gloves during repair.
- Remove the roof interior trim with an interior trim remover or a similar tool.
- The interior trims and the body paint must never be scratched.
- Replace damaged trim fixing clips.

#### Removal

1. Switch off all electrical equipment and the ignition switch, and pull out the key.
2. Remove the A pillar trim => refer to page 771.
3. Remove the B pillar trim => refer to page 772.
4. Remove the C pillar trim (Model A13) => refer to page 775.
5. Remove the ceiling pull handle => refer to page 824.
6. Remove the sun visor => refer to page 823.
7. Remove the interior light assembly .=> refer to page 1125
8. Remove the luggage compartment seal (-1-).
9. Remove the fixing cover of the roof interior trim (-2-).
10. Remove the roof interior trim (-1-) in the (-arrow-) direction.



#### Installation

Installation shall follow the reverse sequence of the removal procedure.

### 1.4.2 Removing and installing the roof interior trim (Model A13A)

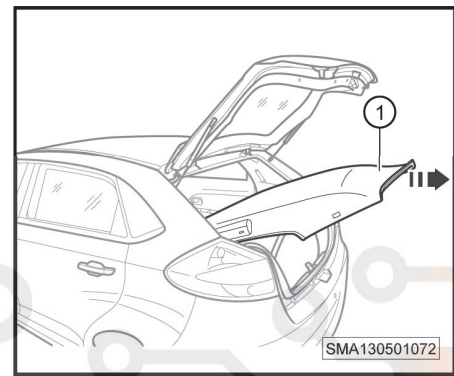
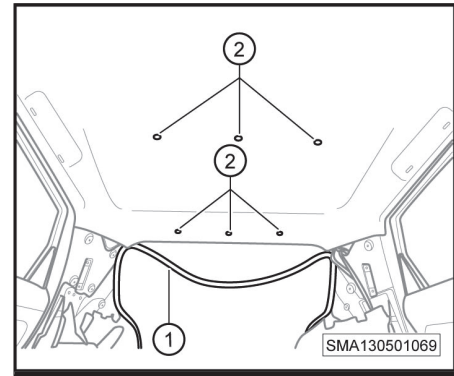
#### Caution

- Please wear protective gloves during repair.
- Remove the roof interior trim with an interior trim remover or a similar tool.
- The interior trims and the body paint must never be scratched.
- Replace damaged trim fixing clips.

## 05 - Body

## Removal

1. Switch off all electrical equipment and the ignition switch, and pull out the key.
2. Remove the A pillar trim => refer to page 771.
3. Remove the B pillar trim => refer to page 772.
4. Remove the C pillar trim (Model A131) => refer to page 778.
5. Remove the ceiling pull handle => refer to page 824.
6. Remove the sun visor => refer to page 823.
7. Remove the interior light assembly .=> refer to page 1125
8. Remove the luggage compartment seal (-1-).
9. Remove the fixing cover of the roof interior trim (-2-).
10. Remove the roof interior trim (-1-) in the (-arrow-) direction.



## Installation

Installation shall follow the reverse sequence of the removal procedure.

## 1.5 Carpet

### 1.5.1 Removing and installing the carpet

#### Caution

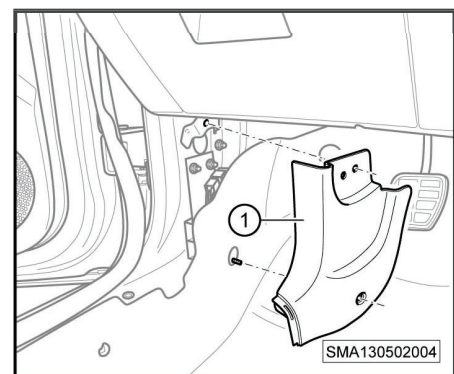
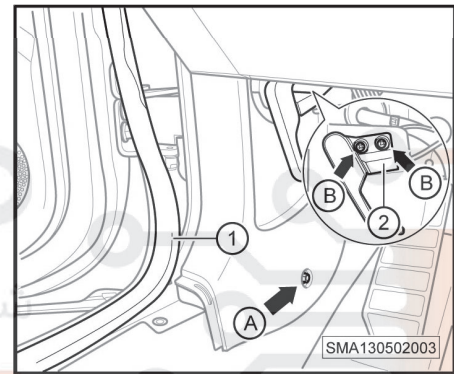
- Please wear protective gloves during repair.
- Remove the roof interior trim with an interior trim remover or a similar tool.
- The interior trims and the body paint must never be scratched.
- Replace damaged trim fixing clips.

#### Note

- The right front door inner sill trim is not equipped with an engine hood opening handle. The removal and installation procedures of the left trim are the same as that of the right one.

#### Removal

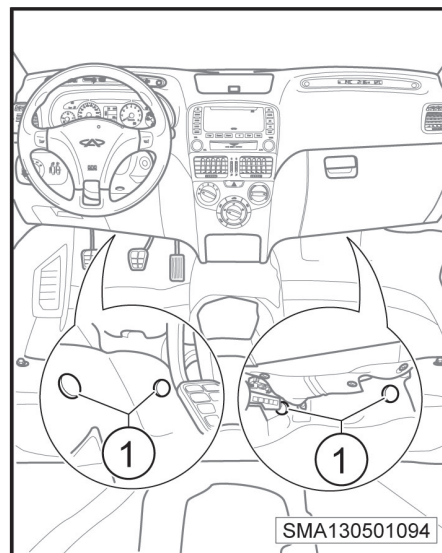
1. Remove the B pillar trim => refer to page 772.
2. Remove the C pillar trim (Model A13) => refer to page 775.
3. Remove the C pillar trim (Model A13A) => refer to page 778.
4. Remove the front seat => refer to page 833.
5. Remove the rear seat cushion => refer to page 835.
6. Remove the instrument console => refer to page 825.
7. Remove the front door seal (-1-).
8. Fixing screw of the front door inner sill trim (-arrow A-).
9. Fixing screws of the engine hood opening handle (-arrow B-).
10. Remove the engine hood opening handle (-2-).
11. Remove the front door inner sill trim (-1-).





05 - Body

12. Remove the carpet fixing covers (-1-).

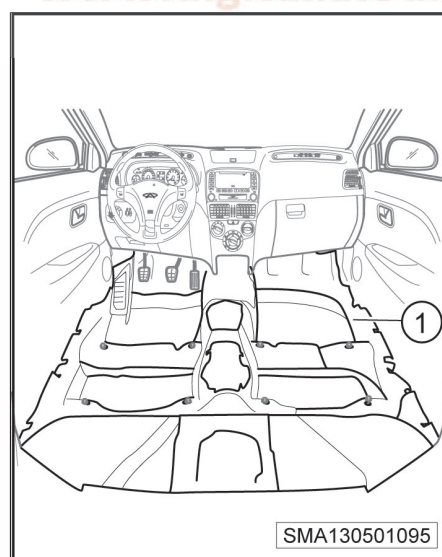


13. Unscrew the fixing screws (-arrow-).

14. Remove the passenger's side lower baffle (-1-).



15. Remove the carpet (-1-).



Installation



Installation shall follow the reverse sequence of the removal procedure.

دیجیتال خودرو

شرکت دیجیتال خودرو سامانه (مسئولیت محدود)

اولین سامانه دیجیتال تعمیرکاران خودرو در ایران



021 62 99 92 92

www.digitalkhodro.com

## 2 Occupant Protections

2.1 Seat belt.....	796
2.2 Airbag.....	801
2.3 SRS fault diagnosis.....	806

### 2.1 Seat belt

#### 2.1.1 Removing and installing the front seat belt retractor

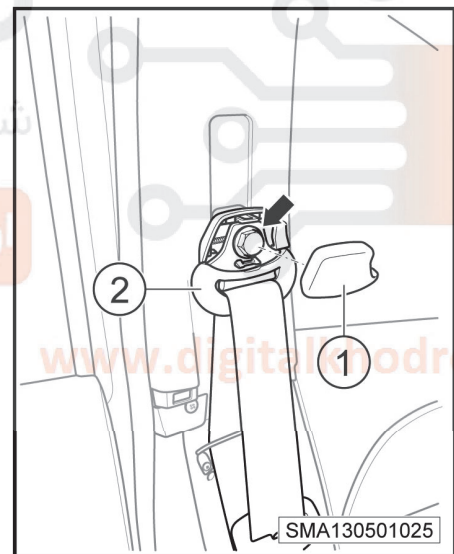
##### Caution

- Please wear protective gloves during repair.
- The interior trims and the body paint must never be scratched.
- Keep the seat belt clean and check for damage.
- All fixing bolts must be tightened with the specified tightening torque.
- The removal and installation procedures of the front left seat belt retractor are the same as that of the front right one.

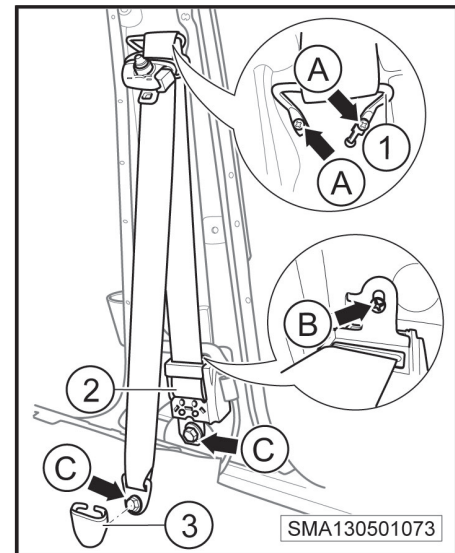
##### Removal

1. Switch off all electrical equipment and the ignition switch, and pull out the key.
2. Remove the pillar lower trim => refer to page 772.
3. Remove the seat belt upper bolt cap (-1-).
4. Unscrew the seat belt upper bolt (-arrow-) and remove the seat belt upper retainer (-2-).

– Tightening torque of the bolt:  $50 \pm 5 \text{ N} \cdot \text{m}$



5. Unscrew the belt guide loop fixing screws (-arrow A-) and remove the belt guide loop (-1-).
  6. Unscrew the locating screws of the front seat belt retractor (-arrow B-).
  7. Remove the seat belt retractor lower cap (-3-).
  8. Unscrew the fixing bolts (-arrow C-) of the seat belt retractor (-2-) and remove the front seat belt retractor (-2-).
- Tightening torque of bolt :  $50 \pm 5 \text{ N} \cdot \text{m}$



### Installation

Installation shall follow the reverse sequence of the removal procedure. Please pay attention to the following notes:

- Tighten the fixing bolts with the specified tightening torque.
- Confirm the front seat belt retractor works properly.

#### 2.1.2 Removing and installing the front seat belt height adjuster

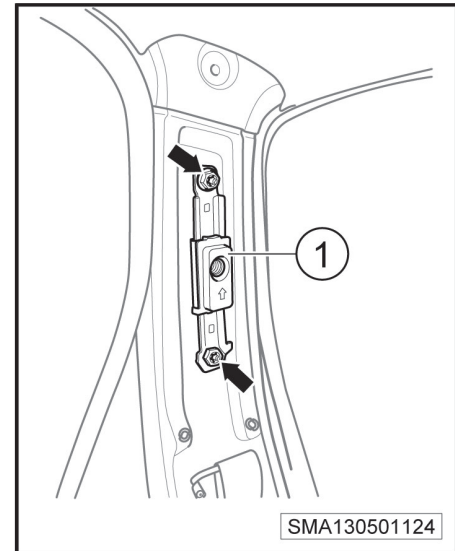
##### Caution

- Please wear protective gloves during repair.
- The removal and installation procedures of the front left seat belt height adjuster are the same as that of the front right one.
- Check if the front seat belt height adjuster is damaged and if it can be adjusted up and down freely.
- All fixing bolts must be tightened with the specified tightening torque.
- The removal and installation procedures of the left seat belt height adjuster are the same as that of the right one.

## 05 - Body

## Removal

1. Remove the pillar trim => refer to page 772.
2. Unscrew the fixing bolts of the installed front seat belt height adjuster (-arrow-).
3. Remove the installed front seat belt height adjuster (-1-).
  - Tightening torque of bolt :  $50\pm 5$  N\*m



## Installation

Installation shall follow the reverse sequence of the removal procedure. Please pay attention to the following notes:

- Tighten the fixing bolts with the specified tightening torque.
- When installing the front seat belt height adjuster, face the indicating arrow upward.
- Confirm the front seat belt height adjuster works properly.

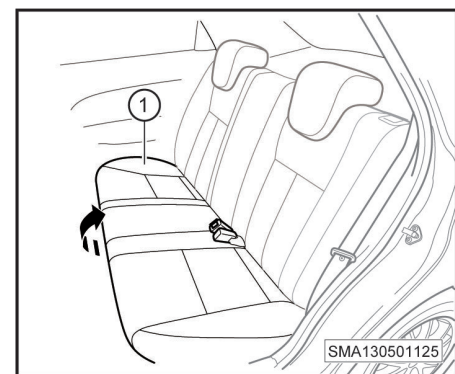
### 2.1.3 Removing and installing the middle rear seat belt retractor

#### Caution

- Please wear protective gloves during repair.
- Keep the seat belt clean and check for damage.
- The removal and installation procedures of the left middle seat belt retractor are the same as that of the right one.
- All fixing bolts must be tightened with the specified tightening torque.

## Removal

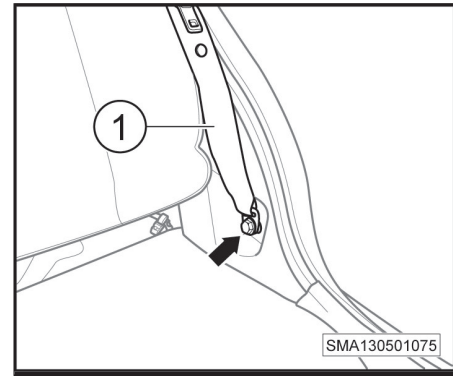
1. Remove the luggage compartment side trim (Model A13) => refer to page 783.
2. Remove the luggage compartment side trim (Model A13A) => refer to page 784.
3. Uncover the rear seat cushion (-1-) in the (-arrow-) direction.



4. Unscrew the lower fixing bolts of the rear seat belt (-arrow-).

- Tightening torque of bolt :  $50 \pm 5 \text{ N}\cdot\text{m}$

5. Remove the rear seat belt (-1-).

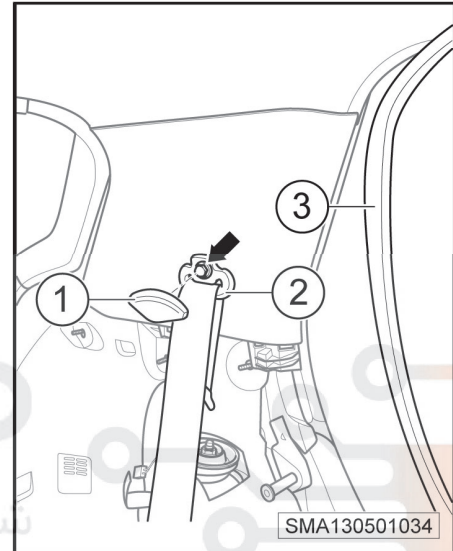


6. Remove the rear seat belt fixing bolt cap (-1-).

7. Unscrew the rear seat belt fixing bolts (-arrow-) and remove the rear seat belt (-2-).

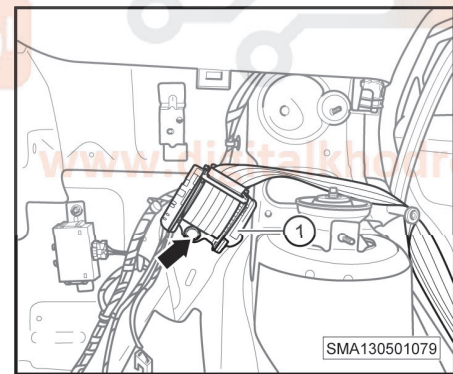
- Tightening torque of bolt:  $50 \pm 5 \text{ N}\cdot\text{m}$

8. Remove the rear door seal (-3-).



9. Unscrew the fixing bolts (-arrow-) and remove the rear seat belt retractor (-1-).

- Tightening torque of bolt :  $50 \pm 5 \text{ N}\cdot\text{m}$



### Installation

Installation shall follow the reverse sequence of the removal procedure. Please pay attention to the following notes:

- Tighten the fixing bolts with the specified tightening torque.
- Confirm the rear seat belt retractor works properly.

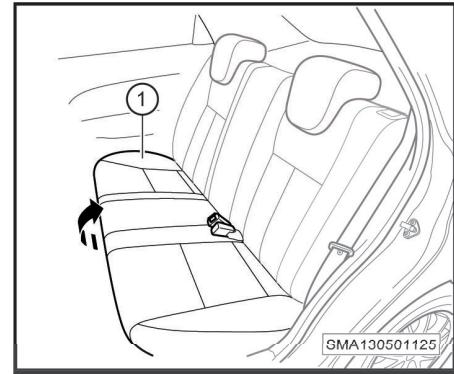
### 2.1.4 Removing and installing the middle rear belt buckle

#### Caution

- Please wear protective gloves during repair.
- Keep the seat belt clean and check for damage.
- All fixing bolts must be tightened with the specified tightening torque.

#### Removal

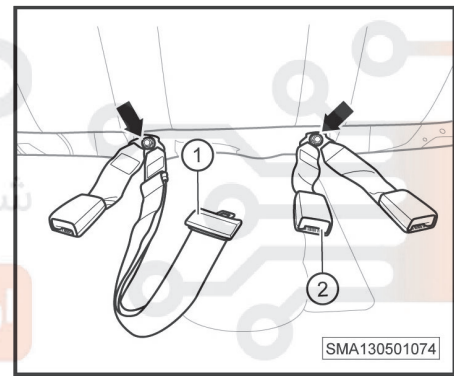
1. Uncover the rear seat cushion (-1-) in the (-arrow-) direction.



2. Unscrew the middle rear belt buckle fixing bolts (-arrow-).

- Tightening torque of bolt:  $50 \pm 5 \text{ N} \cdot \text{m}$

3. Remove the middle rear belt buckles (-1-) and (-2-).



#### Installation

05

Installation shall follow the reverse sequence of the removal procedure. Please pay attention to the following notes:

- Tighten the fixing bolts with the specified tightening torque.
- Confirm the middle rear belt buckles work properly.



## 2.2 Airbag

### 2.2.1 System instructions

#### Passive safety protection

- The passive safety protection can protect the occupant(s) inside a vehicle after a car crash.
- The passive safety protection device consists of two parts. One is seat belt, which can fasten the occupant(s) inside a vehicle to a safe position in case of a car crash. The other is airbag, which can assure occupant safety by buffering and absorbing the force of impact when the occupant inside a vehicle is crashed.

#### Airbag functions and components

- Airbags must work with seat belts. Airbags cannot take the place of seat belts. Driver and passengers must always fasten their belts and adjust them to the most proper position according to their body size.
- A slight crash would not trigger the airbag system. In case of grave front crash accidents, the airbag would inflate at a very rapid speed to protect the driver and front passenger.
- Airbag system consists of:
  - a. Driver frontal airbag
  - b. Front passenger frontal airbag
  - c. Airbag control unit
  - d. Airbag malfunction indicator
- The driver frontal airbag, installed in the steering wheel, would inflate to protect the driver in the event of a grave car crash.
- The front passenger frontal airbag, installed in the dashboard, would inflate to protect the front passenger in the event of a grave car crash.
- The airbag control unit, equipped with an impact sensor and installed on the body floor inside the console, would control the airbag to inflate to protect the driver and the front passenger in the event of a grave car crash.
- The airbag malfunction indicator, installed on the instrument cluster, would inform the driver of whether the airbag system is working properly. If the indicator stays lit after the engine starts, it indicates SRS faults, which need testing and repairing.

### 2.2.2 Notes

- The battery negative should keep disconnected from any airbag components for at least one minute before they are removed. Remove the airbag and the spiral coil and well preserve them before repairing the steering system.
- Keep the airbag facing upward and store it in a room. When triggered unexpectedly, the airbag will burst in the room. Otherwise, the airbag will burst toward bodies or objects, leading to injuries.
- The airbag, an expendable component, must be replaced after burst and refrain from reuse.

#### Diagnostic tips

- Use the X-431 diagnostic device and the connector to test the vehicle data.
- Fault confirmation is the currently selected diagnostic inspection and maintenance procedure.
- If the DTC fails to be deleted, then it will be a current fault.
- Use a digital multimeter to measure the electronic system voltage.
- Visually check the related wiring harness for damage.
- Check and clear the latest DTC causes about respective content of all fault codes.

#### Diagnosis and inspection of sporadic DTC faults

If the sporadic DTC faults occur, please check the following items:

- Check if the connector of the DTC-related actuator or sensor is properly installed.
- Check the connector pins of the actuator or sensor for leakage and corrosion.

## 05 - Body

- The scan tool monitors data based on this circuit.
- Check the leads for bending or squeezing.
- Check the sensor for dirt or damage.
- Consult materials and change or reset the DTC in the swing test.
- Check if the routing of wire harness is correct and proper.

**Checking earth connection**

A good earth connection is prerequisite for ensuring the normal operation of the circuit. If the earth terminal of the circuit is always exposed to the wet and dusty environment, the metal of the earth terminal will corrode and affect the circuit smoothness, thus causing various electrical system malfunctions. As the control circuit is very sensitive, the loosened or corroded wires may significantly affect the transmission of various signals in the electronic control circuit. Therefore, please note the followings when inspecting:

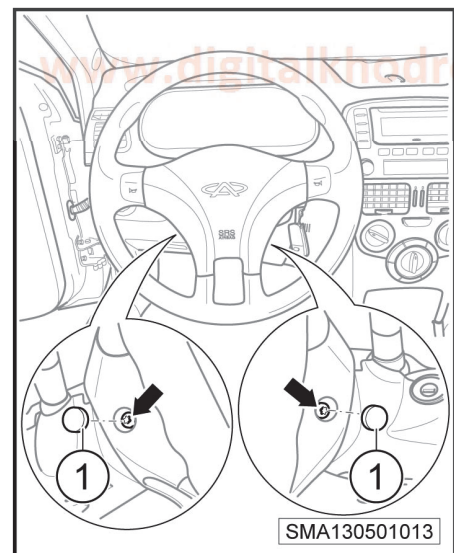
- Replace the earth bolts or nuts.
- Check the earth terminal and coil for corrosion.
- Clean them to assure sound contact.
- Clean and polish the earth terminal and coil when necessary to ensure good contact.
- Check if there is any accessory interfering with the earth circuit.

**2.2.3 Removing and installing the driver's side airbag****Caution**

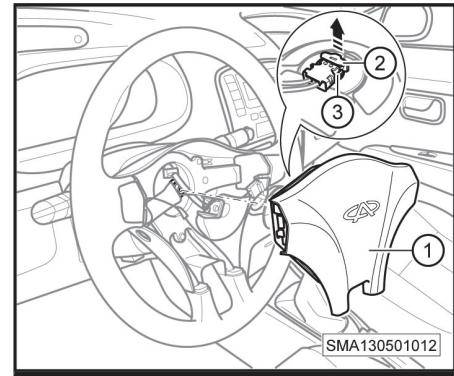
- Please wear protective gloves during repair.
- Replace damaged trim fixing clips.
- The battery negative should keep disconnected from the airbag components for at least one minute before they are removed.

**Removal** اولین سامانه دیجیتالی تعمیرکاران خود ایران

1. Switch off all electrical equipment and the ignition switch, and pull out the key.
2. Remove the bolt caps (-1-) on both sides.
3. Unscrew the fixing bolts of the driver's side airbags on both sides (-arrow-).
  - Tightening torque of bolt :  $15\pm 3 \text{ N}\cdot\text{m}$



4. Remove the driver's side airbag (-1-).
5. Pull out the connector clips (-2-) in the (-arrow-) direction and disconnect the driver's side airbag connector (-3-).



### Installation

Installation shall follow the reverse sequence of the removal procedure. Please pay attention to the following notes:

- Tighten the fixing bolts with the specified tightening torque.
- Check if the airbag is properly installed.
- Use the vehicle diagnostic equipment to check the airbag system.

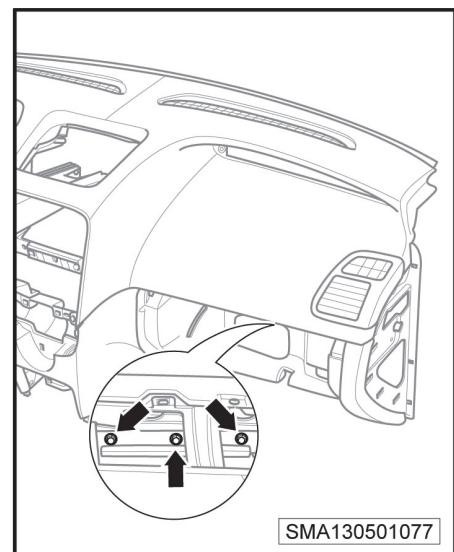
### 2.2.4 Removing and installing the front passenger's side airbag

#### Caution

- Please wear protective gloves during repair.
- Remove the door interior trim with an interior trim remover or a similar tool.
- The interior trims and the body paint must never be scratched.
- Replace damaged trim fixing clips.
- The battery negative should keep disconnected from the airbag components for at least one minute before they are removed.

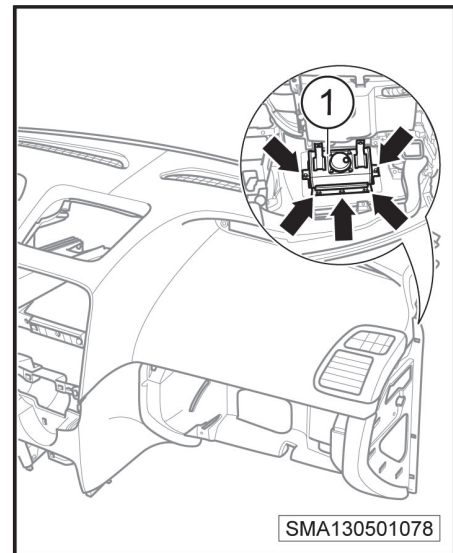
### Removal

1. Switch off all electrical equipment and the ignition switch, and pull out the key.
2. Remove the instrument console.
3. Unscrew the fixing bolts of the front passenger's side airbag (-arrow-).
  - Tightening torque of bolt :  $5\pm 0.5 \text{ N}\cdot\text{m}$



## 05 - Body

4. Unscrew the fixing bolts of the front passenger's side airbag (-arrow-).
  - Tightening torque of bolt:  $5\pm 0.5 \text{ N}\cdot\text{m}$
5. Remove the front passenger's side airbag (-1-).



## Installation

Installation shall follow the reverse sequence of the removal procedure. Please pay attention to the following notes:

- Tighten the fixing bolts with the specified tightening torque.
- Check if the airbag is properly installed.
- Use the vehicle diagnostic equipment to check the airbag system.

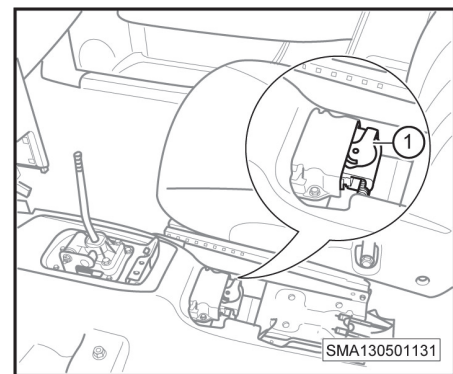
## 2.2.5 Removing and installing the airbag control module

## Caution

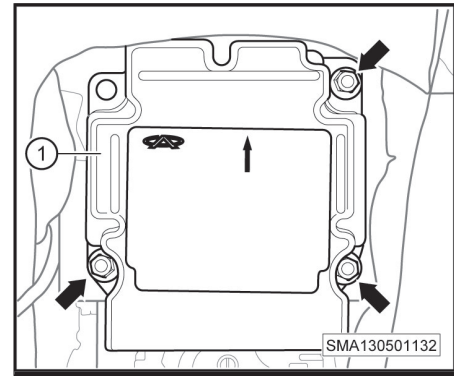
- Please wear protective gloves during repair.
- Remove the door interior trim with an interior trim remover or a similar tool.
- The interior trims and the body paint must never be scratched.
- Replace damaged trim fixing clips.
- The battery negative should keep disconnected from the airbag components for at least one minute before they are removed.

## Removal

1. Switch off all electrical equipment and the ignition switch, and pull out the key.
2. Remove the console. => refer to page 825
3. Remove the parking brake. => refer to page 747
4. Disconnect the connector of the airbag control module (-1-).



5. Unscrew the fixing bolts of the airbag control module (-arrow-).
  - Tightening torque of bolt :  $10\pm 1$  N\*m
6. Remove the airbag control module (-1-).



### Installation

Installation shall follow the reverse sequence of the removal procedure. Please pay attention to the following notes:

- Tighten the fixing bolts with the specified tightening torque.
- Install the airbag toward the vehicle front in the arrow direction indicated on the control module.
- It is impermissible to install the airbag onto other vehicles after it is removed.
- Check if the airbag is properly installed.
- Use the vehicle diagnostic equipment to check the airbag system.

دیجیتال خودرو  
شرکت دیجیتال خودرو سامانه (مسئولیت محدود)



اولین سامانه دیجیتال تعمیرکاران خودرو در ایران

021 62 99 92 92

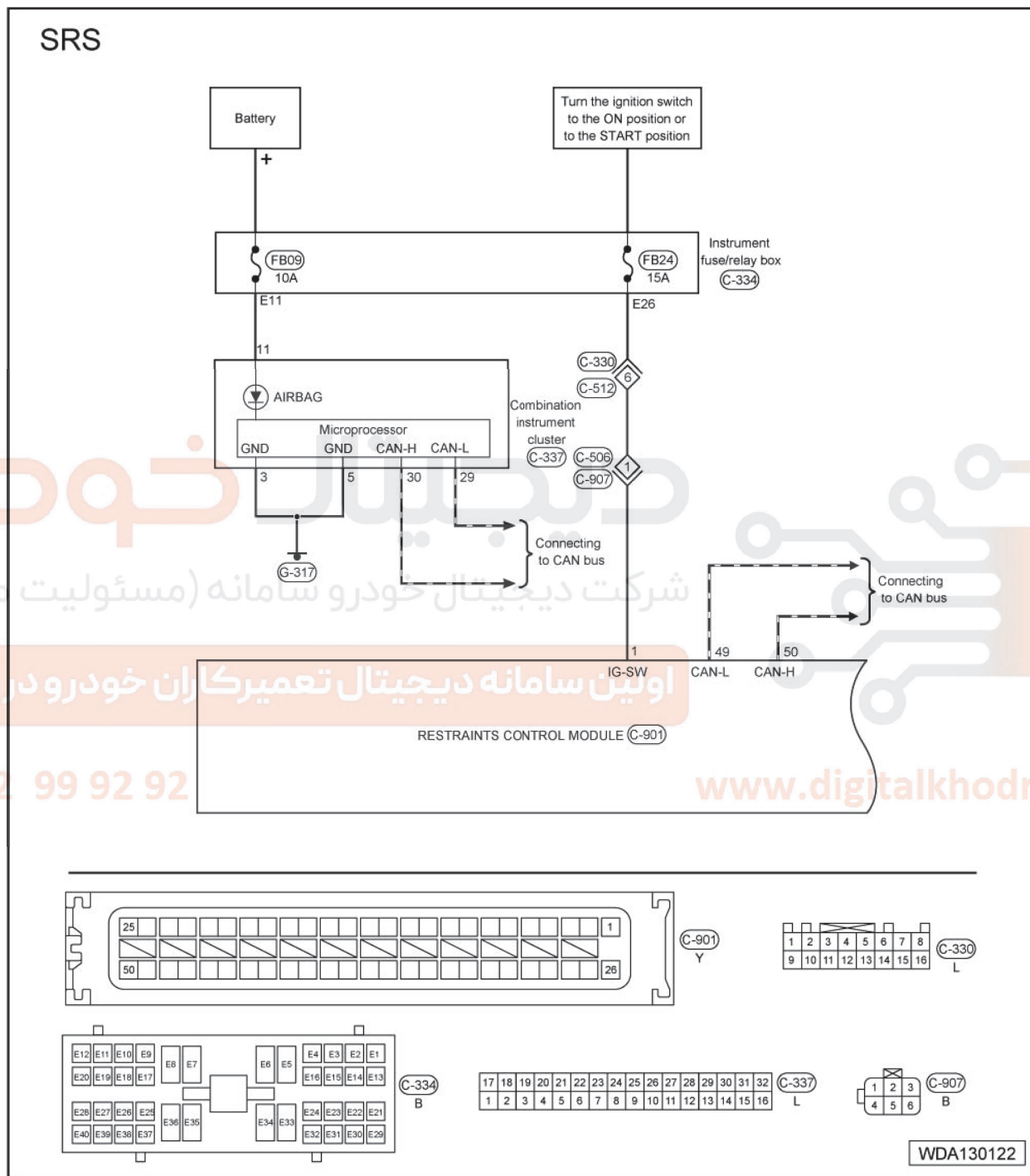
www.digitalkhodro.com



2.3 SRS fault diagnosis

2.3.1 SRS circuit diagram

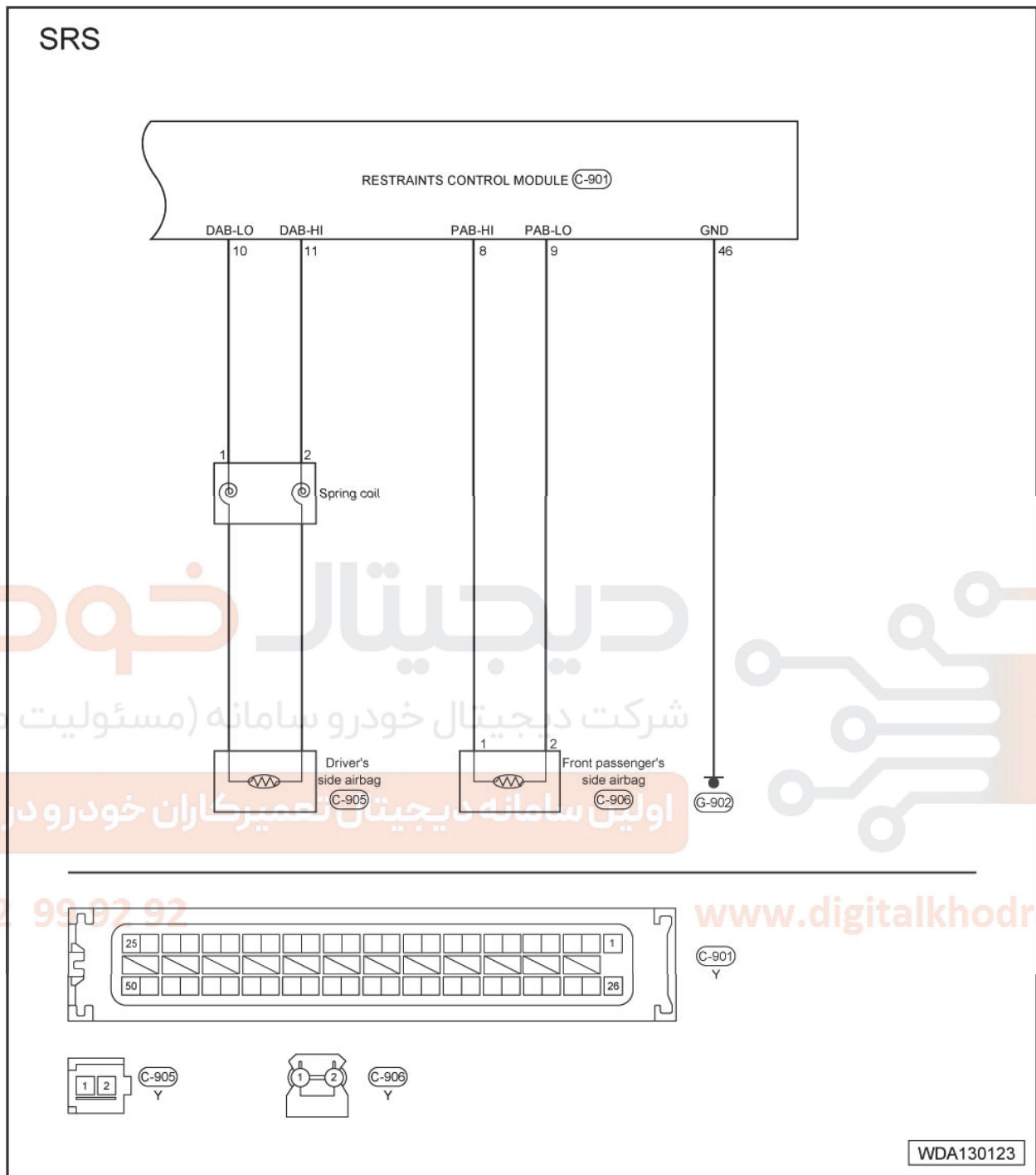
SRS (page 1)



دیتا دیجیتال خودرو (مسئولیت محدود) شرکت دیجیتال خودرو سامانه اولین سامانه دیجیتال تعمیرکاران خودرو در ایران



SRS (page 2)



2.3.2 SRS DTC list

DTC	Definition
B1397	Driver seat belt latch plate fault
B1400	Excessive battery voltage
B1401	Low battery voltage
B1316	Short circuit of front passenger airbag
B1317	Open circuit of front passenger airbag

## 05 - Body

DTC	Definition
B1318	Short to ground or cross line of front passenger airbag
B1319	Short to power of front passenger airbag
B1322	Short circuit of driver airbag
B1324	Short to ground or cross line of driver airbag
B1325	Short to power of driver airbag
B1326	Open circuit of driver airbag

# دیجیتال خودرو

شرکت دیجیتال خودرو سامانه (مسئولیت محدود)

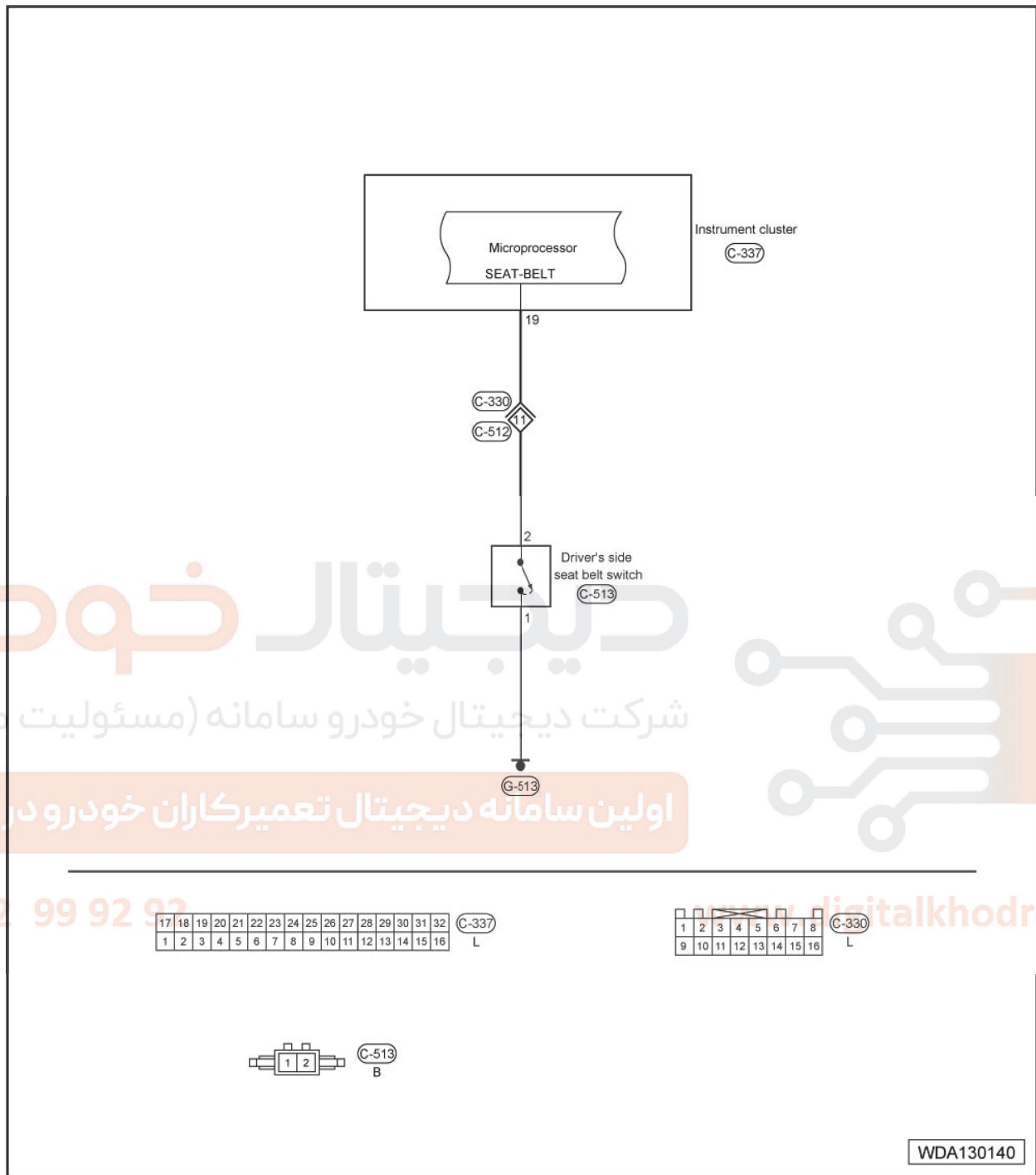
اولین سامانه دیجیتال تعمیرکاران خودرو در ایران



021 62 99 92 92

www.digitalkhodro.com

**2.3.3 B1397 Driver seat belt latch plate fault**



Inspect driver seat belt latch plate values

Seat belt connector pin No.	Function	Condition	Value (DC voltage range)
1	Conduct driver seat belt latch plate	Turn on ignition switch	Battery voltage

Fault code definition and fault causes

05 - Body

DTC	DTC definition	DTC test conditions	DTC triggering conditions	Possible causes
B1397	Driver seat belt latch plate fault	Turn the ignition switch to the ON position and engage the latch plate	The instrument control unit detects driver seat belt latch plate faults	Wiring harness short/open circuit fault and seat belt latch plate switch fault

**DTC test procedures:**

Please confirm that the battery voltage is normal before performing the following procedures.

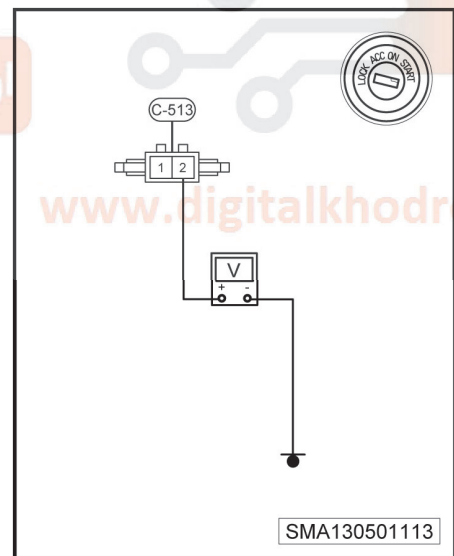
- Turn off the ignition switch.
- Connect the X-431 diagnostic device to the DLC and perform the test with the updated software.
- Turn on the ignition switch.
- Measure and clear the DTC with the diagnostic device.
- Turn off the ignition switch and turn it on again after 3 to 5 seconds.
- Measure the DTC with the diagnostic device.
- If a DTC is detected, it indicates that the vehicle is faulty, please perform corresponding diagnostic procedures.
- If no DTC is detected, it indicates that the previously detected faults are sporadic. (Please refer to the chapters on the sporadic DTC and check faults)

**Diagnostic procedures:**

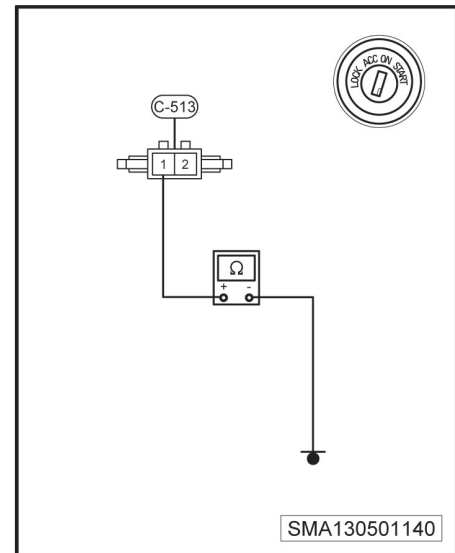
**i Note**

- Please verify again if the DTC and its symptoms are present after fault is rectified.

1. When turning the ignition switch to the ON position, disconnect the seat belt latch plate switch connector C-513 and check if the terminal 2 reaches the battery voltage.
  - If yes, go to step 2.
  - If not, check if the lead from the seat belt latch plate switch 2 to the instrument control unit terminal 19 has an open circuit. And repair the defective lead. ■



2. When turning the ignition switch to the LOCK position, check if the seat belt latch plate switch connector terminal 1 is properly earthed.
  - If yes, go to step 3.
  - If not, check if the lead from the seat belt latch plate switch connector terminal 1 to the earth terminals has an open circuit. And repair the defective lead. ■



3. Replace the seat belt latch plate switch and retest it and read the fault code to verify if the code is present or not.
  - If yes, find the fault cause from other symptoms.
  - If not, the fault has been rectified. ■

دیجیتال خودرو

شرکت دیجیتال خودرو سامانه (مسئولیت محدود)

اولین سامانه دیجیتال تعمیرکاران خودرو در ایران

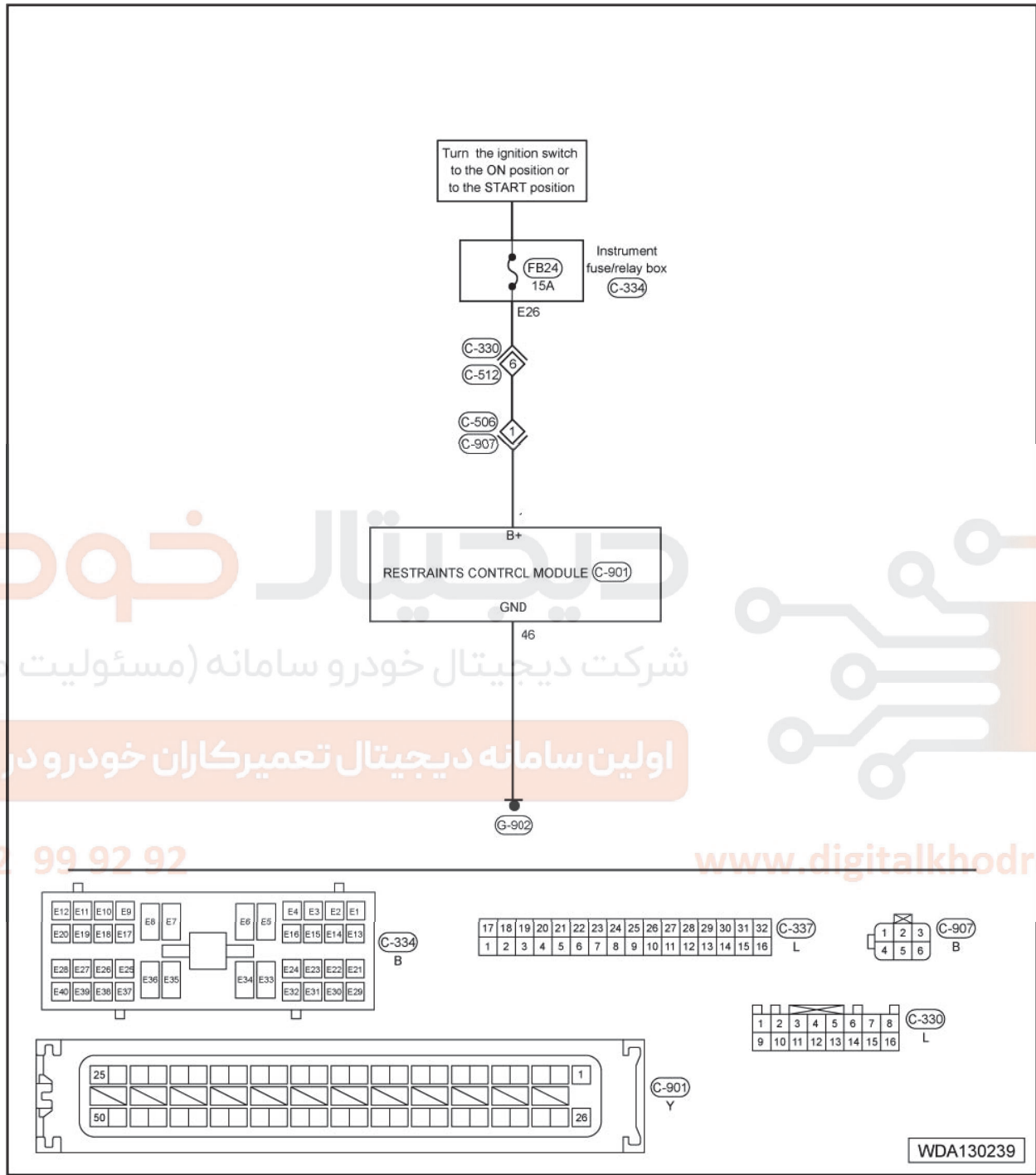


021 62 99 92 92

www.digitalkhodro.com

**2.3.4 B1400 Excessive battery voltage**

**B1401 Low battery voltage**



**Inspect SRS control unit values**

SRS control unit pin No.	Function	Condition	Value (DC voltage range)
01	Supply power to SRS control unit	Turn on ignition switch	Battery voltage

**Fault code definition and fault causes**



DTC	DTC definition	DTC test conditions	DTC triggering conditions	Possible causes
B1400	Excessive battery voltage	Turn the ignition switch to the ON position or to the START position	The connecting harness from the fuse to the SRS control unit has a short circuit	Wiring harness short circuit faults and SRS control unit internal faults
B1401	Low battery voltage	Turn the ignition switch to the ON position or to the START position	The connecting harness from the fuse to the SRS control unit has an open circuit	Wiring harness open circuit faults and SRS control unit internal faults

**DTC test procedures:**

Please confirm that the battery voltage is normal before performing the following procedures.

- Turn off the ignition switch.
- Connect the X-431 diagnostic device to the DLC and perform the test with the updated software.
- Turn on the ignition switch.
- Measure and clear the DTC with the diagnostic device.
- Turn off the ignition switch and turn it on again after 3 to 5 seconds.
- Measure the DTC with the diagnostic device.
- If a DTC is detected, it indicates that the vehicle is faulty, please perform corresponding diagnostic procedures.
- If no DTC is detected, it indicates that the previously detected faults are sporadic. (Please refer to the chapters on the sporadic DTC and check faults)

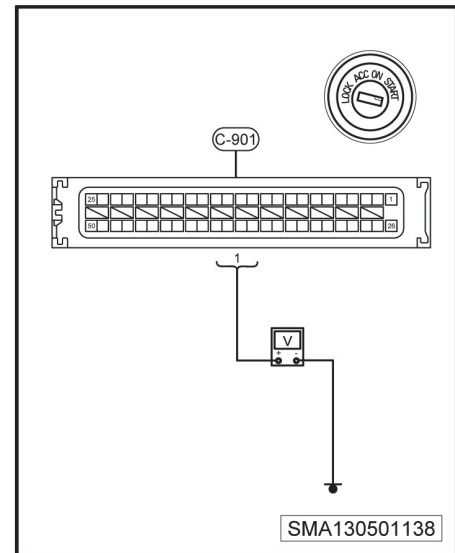
**Diagnostic procedures:****Note**

- Please verify again if the DTC and its symptoms are present after fault is rectified.

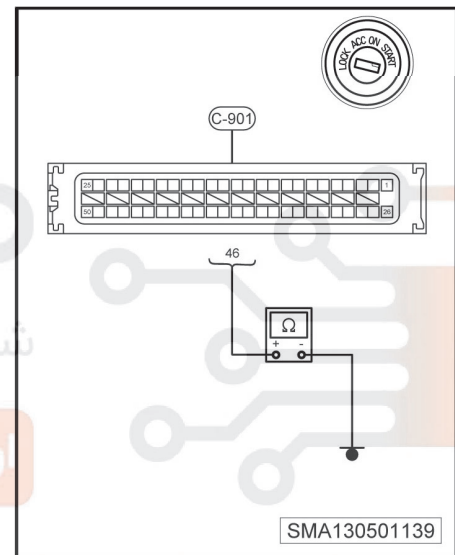
1. Check if the power supply fuse FB24 in the SRS control module has faults.
  - If yes, replace it. ■
  - If not, go to step 2.
2. Check if the SRS control module pins/connectors are corrosive, tainted and loose.
  - If the connectors/pins have faults, rectify the faults or replace the connectors/pins. ■
  - If not, go to step 3.

## 05 - Body

3. Turn off the ignition switch and disconnect SRS control unit connector C-901.
4. When turning the ignition switch to the LOCK position, check if the SRS control unit connector terminal 1 reaches the battery voltage.
  - If yes, go to step 5.
  - If not, check if the lead from the SRS control unit connector terminal 01 to the FB24 fuse inside the fuse/relay box has a short or open circuit. And repair the defective lead. ■



5. Check if the SRS control unit connector terminal 46 is properly earthed.
  - If yes, go to step 6.
  - If not, check if the lead from the SRS control unit connector terminal 46 to the earth terminals has a short or open circuit. And repair the defective lead. ■



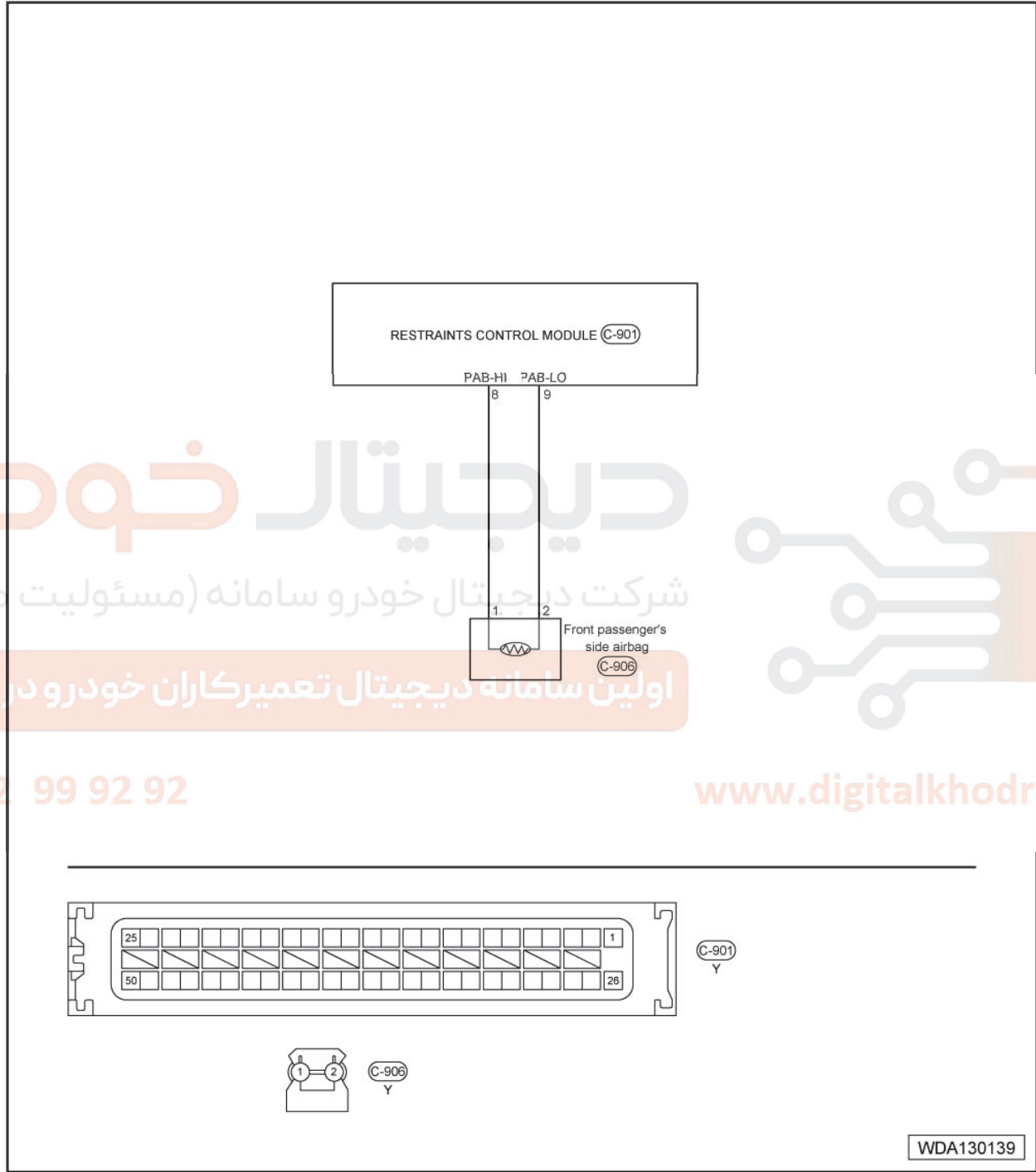
6. Replace the SRS control unit and retest it and read the fault code to verify if the code is present or not.
  - If yes, find the fault cause from other symptoms.
  - If not, the fault has been rectified. ■

**2.3.5 B1316 Short circuit of front passenger airbag**

**B1317 Open circuit of front passenger airbag**

**B1318 Short to ground or cross line of front passenger airbag**

**B1319 Short to power of front passenger airbag**



Fault code definition and fault causes

## 05 - Body

DTC	DTC definition	DTC test conditions	DTC triggering conditions	Possible causes
B1316	Short circuit of front passenger airbag	Turn the ignition switch to the ON position	The SRS control unit detects a short circuit of front passenger airbag	Airbag faults and SRS control unit faults
B1317	Open circuit of front passenger airbag	Turn the ignition switch to the ON position	The SRS control unit detects an open circuit of front passenger airbag	Airbag faults and SRS control unit faults
B1318	Short to ground or cross line of front passenger airbag	Turn the ignition switch to the ON position	The connecting harness from the SRS control unit to the front passenger airbag has a short circuit	Wiring harness short circuit faults and SRS control unit faults
B1319	Short to power of front passenger airbag	Turn the ignition switch to the ON position	The connecting harness from the SRS control unit to the front passenger airbag has a short circuit	Wiring harness short circuit faults and SRS control unit faults

**DTC test procedures:**

Please confirm that the battery voltage is normal before performing the following procedures.

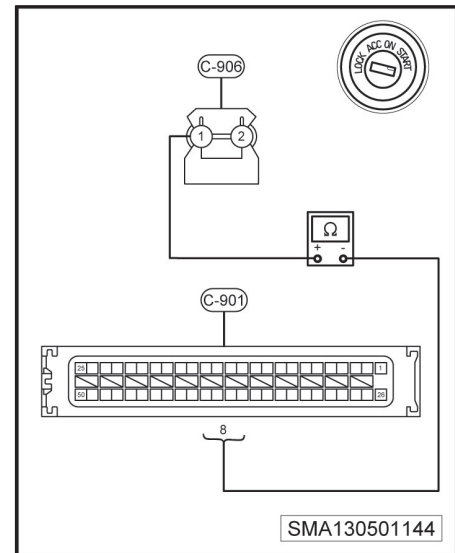
- Turn off the ignition switch.
- Connect the X-431 diagnostic device to the DLC and perform the test with the updated software.
- Turn on the ignition switch.
- Measure and clear the DTC with the diagnostic device.
- Turn off the ignition switch and turn it on again after 3 to 5 seconds.
- Measure the DTC with the diagnostic device.
- If a DTC is detected, it indicates that the vehicle is faulty, please perform corresponding diagnostic procedures.
- If no DTC is detected, it indicates that the previously detected faults are sporadic. (Please refer to the chapters on the sporadic DTC and check faults)

05

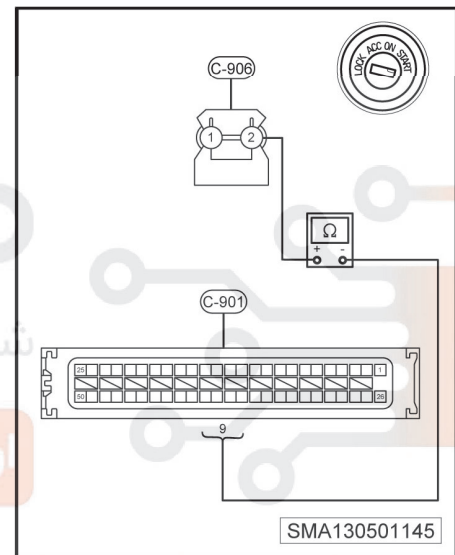
**Diagnostic procedures:****i Note**

- Please verify again if the DTC and its symptoms are present after fault is rectified.

1. Turn off the ignition switch and disconnect the battery negative cable. Disconnect the front passenger airbag connector C-906 and the SRS control unit connector C-901.
2. Check if the lead from the front passenger airbag connector terminal 1 to the SRS control unit connector terminal 8 is conducted.
  - If yes, go to step 3.
  - If not, check if the lead from the front passenger airbag connector terminal 1 to the SRS control unit connector terminal 8 has a short or open circuit. And repair the defective lead. ■



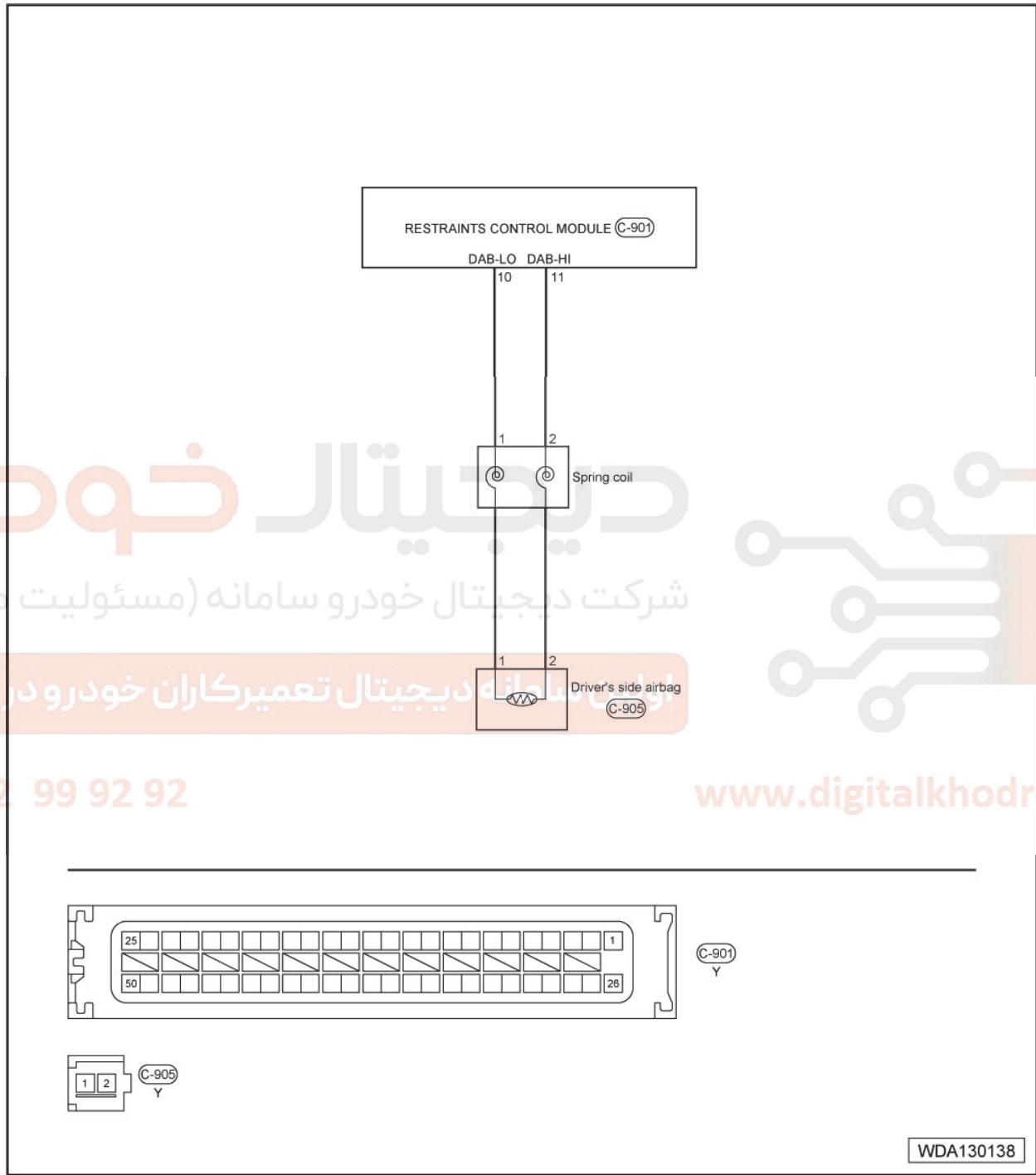
3. Check if the lead from the front passenger airbag connector terminal 2 to the SRS control unit connector terminal 9 is conducted.
  - If yes, go to step 4.
  - If not, check if the lead from the front passenger airbag connector terminal 2 to the SRS control unit connector terminal 9 has a short or open circuit. And repair the defective lead. ■



4. Replace the front passenger airbag and retest it and read the fault code to verify if the code is present or not.
  - If yes, go to step 5.
  - If not, the fault has been rectified. ■
5. Replace the SRS control unit and retest it and read the fault code to verify if the code is present or not.
  - If yes, find the fault cause from other symptoms.
  - If not, the fault has been rectified. ■

**2.3.6 B1322 Short circuit of driver airbag**

- B1324 Short to ground or cross line of driver airbag**
- B1325 Short to power of driver airbag**
- B1326 Open circuit of driver airbag**



**Fault code definition and fault causes**

DTC	DTC definition	DTC test conditions	DTC triggering conditions	Possible causes
B1322	Short circuit of driver airbag	Turn the ignition switch to the ON position	The SRS control unit detects a short circuit of driver airbag	Airbag faults and SRS control unit faults



DTC	DTC definition	DTC test conditions	DTC triggering conditions	Possible causes
B1324	Short to ground or cross line of driver airbag	Turn the ignition switch to the ON position	The connecting harness from the SRS control unit to the driver airbag has a short circuit	Wiring harness short circuit faults and SRS control unit faults
B1325	Short to power of driver airbag	Turn the ignition switch to the ON position	The connecting harness from the SRS control unit to the driver airbag has a short circuit	Wiring harness short circuit faults and SRS control unit faults
B1326	Open circuit of driver airbag	Turn the ignition switch to the ON position	The SRS control unit detects an open circuit of driver airbag	Airbag faults and SRS control unit faults

**DTC test procedures:**

Please confirm that the battery voltage is normal before performing the following procedures.

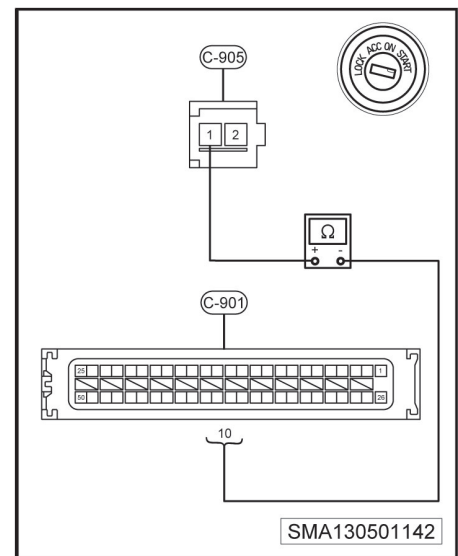
- Turn off the ignition switch.
- Connect the X-431 diagnostic device to the DLC and perform the test with the updated software.
- Turn on the ignition switch.
- Measure and clear the DTC with the diagnostic device.
- Turn off the ignition switch and turn it on again after 3 to 5 seconds.
- Measure the DTC with the diagnostic device.
- If a DTC is detected, it indicates that the vehicle is faulty, please perform corresponding diagnostic procedures.
- If no DTC is detected, it indicates that the previously detected faults are sporadic. (Please refer to the chapters on the sporadic DTC and check faults)

**Diagnostic procedures:**

**Note**

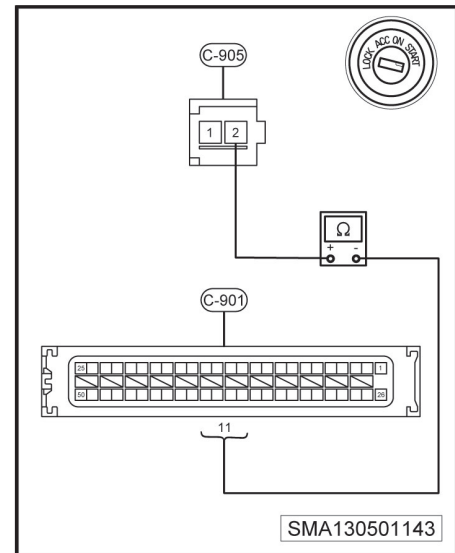
- Please verify again if the DTC and its symptoms are present after fault is rectified.

1. Turn off the ignition switch and disconnect the battery negative cable. Disconnect the driver airbag connector C-905 and the SRS control unit connector C-901.
2. When turning the ignition switch to the LOCK position, check if the lead from the driver airbag connector terminal 1 to the SRS control unit connector terminal 10 is conducted.
  - If yes, go to step 5.
  - If not, go to step 4.



## 05 - Body

3. Check if the lead from the driver airbag connector terminal 2 to the SRS control unit connector terminal 11 is conducted.
- If yes, go to step 5.
  - If not, go to step 4.



4. Check if the spring coil works properly.
- If yes, go to step 5.
  - If not, replace the spring coil. Check if the lead from the driver airbag connector terminal to the SRS control unit connector terminal has a short or open circuit. ■

5. Replace the driver airbag and retest it and read the fault code to verify if the code is present or not.

- If yes, go to step 6.
- If not, the fault has been rectified. ■

6. Replace the SRS control unit and retest it and read the fault code to verify if the code is present or not.

- If yes, find the fault cause from other symptoms.
- If not, the fault has been rectified. ■

### 3 Interior Equipment

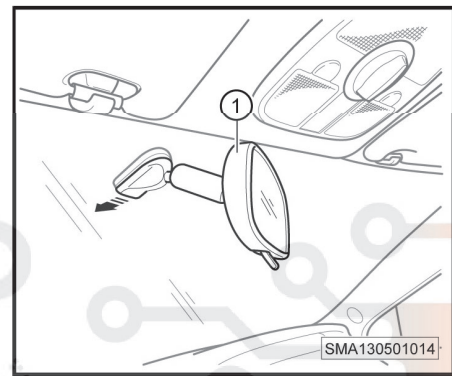
3.1 Interior rearview mirror .....	821
3.2 Front passenger's side glove compartment.....	822
3.3 Sun visor.....	823
3.4 Ceiling pull handle.....	824
3.5 Console.....	825
3.6 Instrument console.....	828
3.7 Central storage compartment.....	831
3.8 Left lower guard plate of the dashboard .....	832

#### 3.1 Interior rearview mirror

##### 3.1.1 Removing and installing the interior rearview mirror

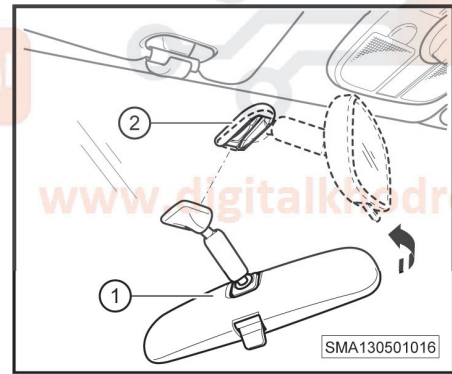
###### Removal

1. Remove the interior rearview mirror (-1-) in the (-arrow-) direction.



###### Installation

1. Fit the interior rearview mirror (-1-) into the fixing bracket (-2-).
2. Turn the interior rearview mirror to the right position in the (-arrow-) direction.



###### **i** Note

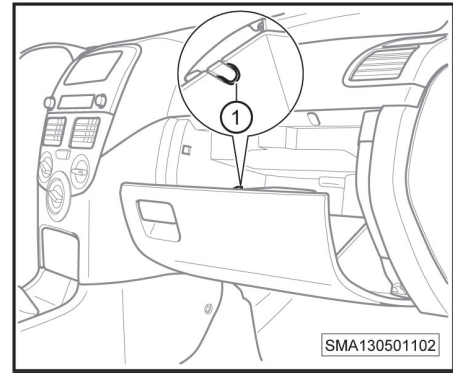
- Confirm that the interior rearview mirror is firmly installed in the fixing bracket.

### 3.2 Front passenger's side glove compartment

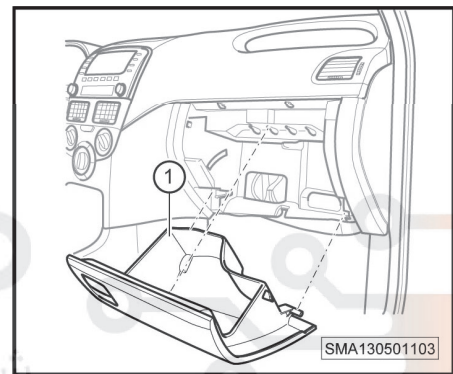
#### 3.2.1 Removing and installing the front passenger's side glove compartment

##### Removal

1. Loosen the hook (-1-) from the front passenger's side glove compartment damper.



2. Remove the front passenger's side glove compartment (-1-).



##### Installation

Installation shall follow the reverse sequence of the removal procedure.

### 3.3 Sun visor

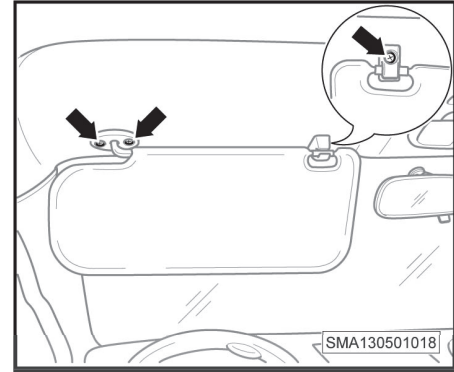
#### 3.3.1 Removing and installing the sun visor

##### **i** Note

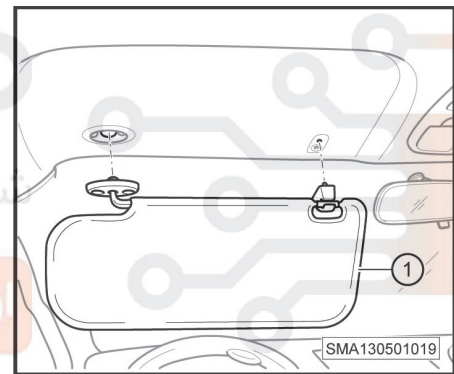
- The removal and installation procedures of the left sun visor are the same as that of the right one.

##### Removal

1. Unscrew the fixing bolts of the sun visor (-arrow-).



2. Remove the sun visor (-1-).



##### Installation

Installation shall follow the reverse sequence of the removal procedure.

### 3.4 Ceiling pull handle

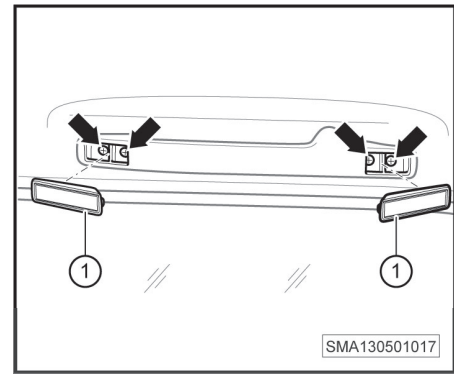
#### 3.4.1 Removing and installing the ceiling pull handle

##### **i** Note

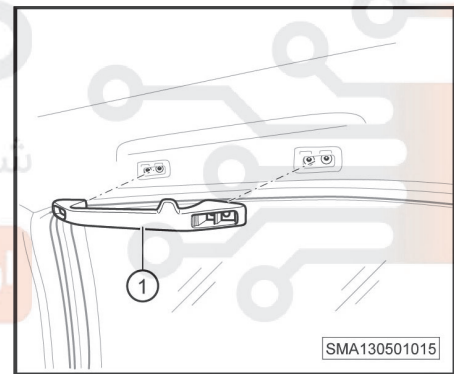
- The removal and installation procedures of the left ceiling pull handle are the same as that of the right one.

##### Removal

1. Remove the lids (-1-) on both sides.
2. Unscrew the fixing screws of the ceiling pull handle (-arrow-).



3. Remove the ceiling pull handle (-1-).



##### Installation

Installation shall follow the reverse sequence of the removal procedure.



## 3.5 Console

### 3.5.1 Removing and installing the console

#### Caution

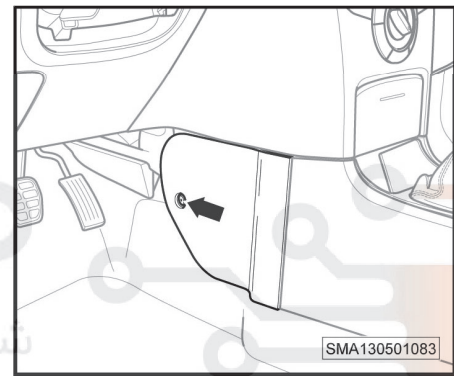
- Please wear protective gloves during repair.
- The interior trims and the body paint must never be scratched.
- Replace damaged trim fixing clips.

#### Note

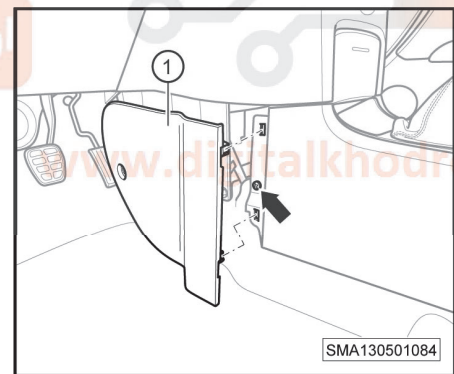
- The removal and installation procedures of the front left console trim are the same as that of the front right one.

#### Removal

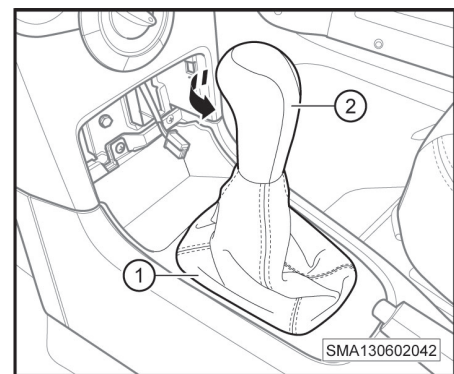
1. Switch off all electrical equipment and the ignition switch, and pull out the key.
2. Remove the cigarette lighter .=> refer to page 1214
3. Unscrew the fixing bolts of the front console trim (-arrow-).



4. Remove the front console trim (-1-).
5. Unscrew the front fixing bolts of the console (-arrow-).

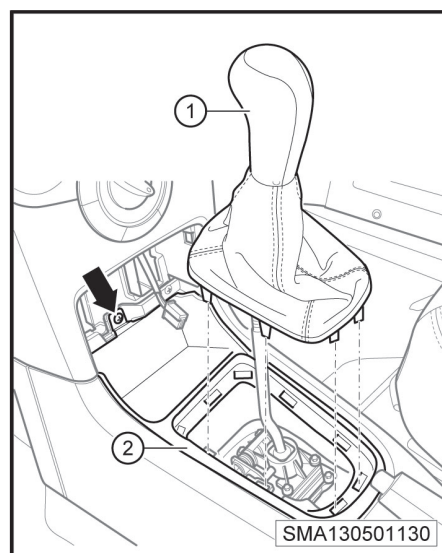


6. Pry out the shift handle panel (-1-).
7. Unscrew the shift handle (-2-) in the (-arrow-) direction.

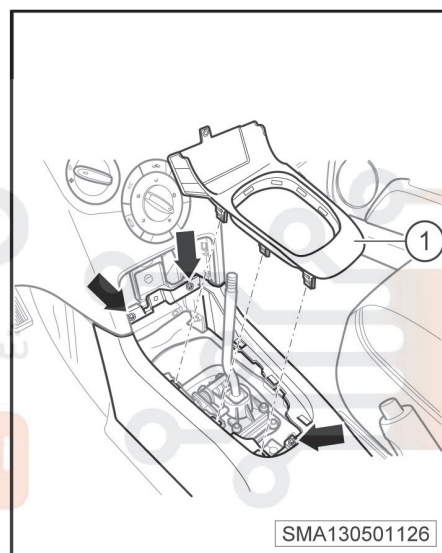


## 05 - Body

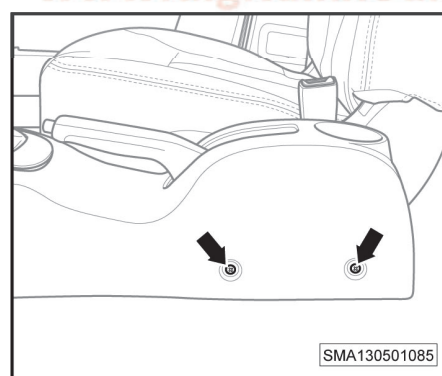
8. Remove the shift handle (-1-).
9. Unscrew the fixing bolts (-arrow-) of the shift handle panel (-2-).



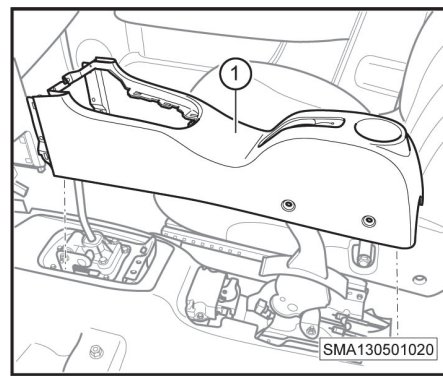
10. Remove the shift handle panel (-1-).
11. Unscrew the upper fixing bolts of the console (-arrow-).



12. Unscrew the fixing bolts of the console on both sides (-arrow-).



13. Remove the console (-1-).



#### Installation

Installation shall follow the reverse sequence of the removal procedure.

# دیجیتال خودرو

شرکت دیجیتال خودرو سامانه (مسئولیت محدود)

اولین سامانه دیجیتال تعمیرکاران خودرو در ایران



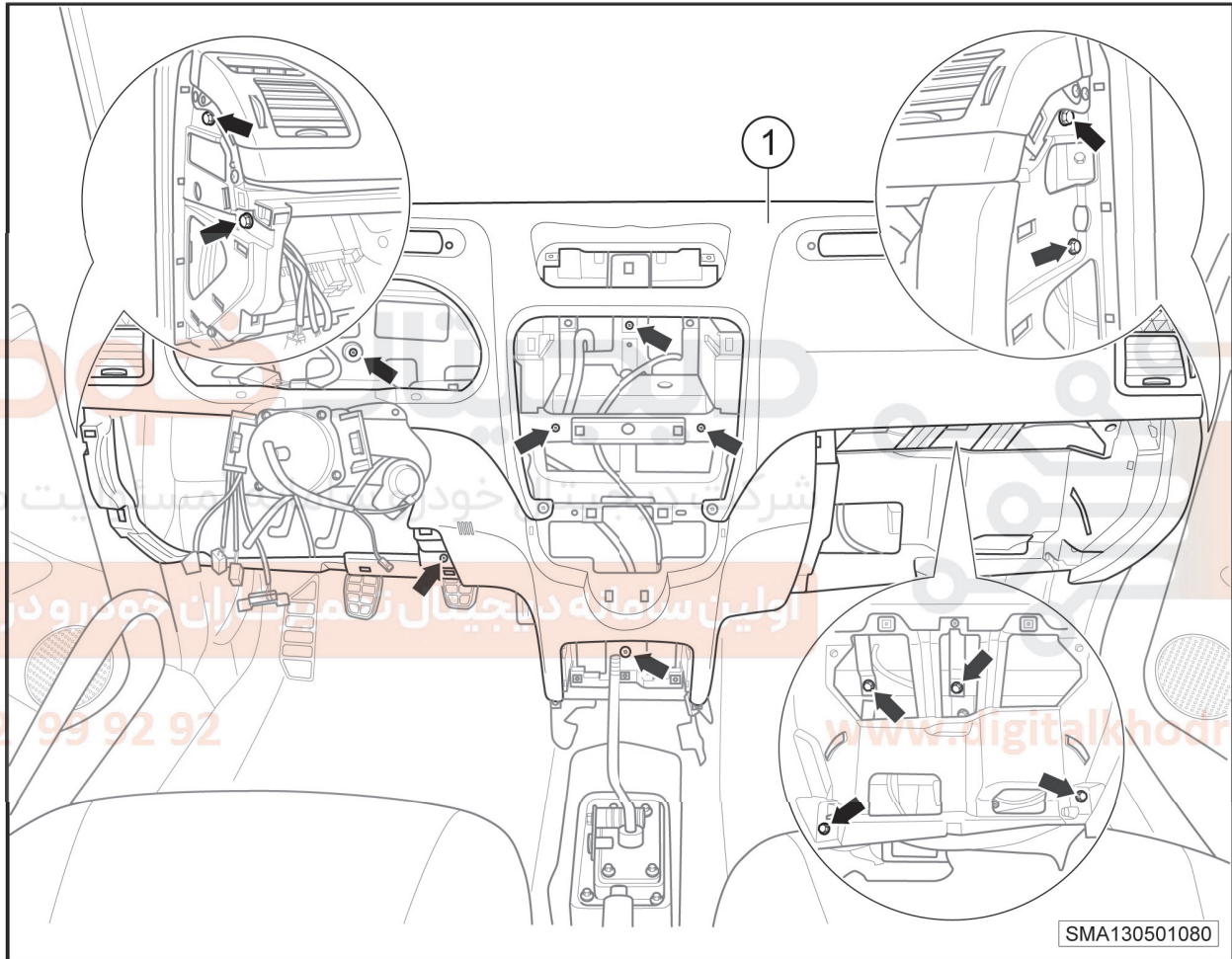
www.digitalkhodro.com

### 3.6 Instrument console

#### 3.6.1 Removing and installing the dashboard

##### Caution

- Please wear protective gloves during repair.
- The interior trims and the body paint must never be scratched.
- When removing, installing and repairing the dashboard assembly, two or more technicians are needed to assist the operation.



##### Removal

1. Remove the steering wheel .=> refer to page 650
2. Remove the A pillar trim => refer to page 771.
3. Remove the front passenger's side glove compartment (-1-) => refer to page 822.
4. Remove the console => refer to page 825.
5. Remove A/C control .=> refer to page 1227
6. Remove the audio system => refer to page 1205.
7. Remove the central storage compartment => refer to page 831.
8. Left lower guard plate of the dashboard => refer to page 832.



9. Unscrew the fixing bolts of the dashboard (-arrow-).
10. Remove the dashboard (-1-).

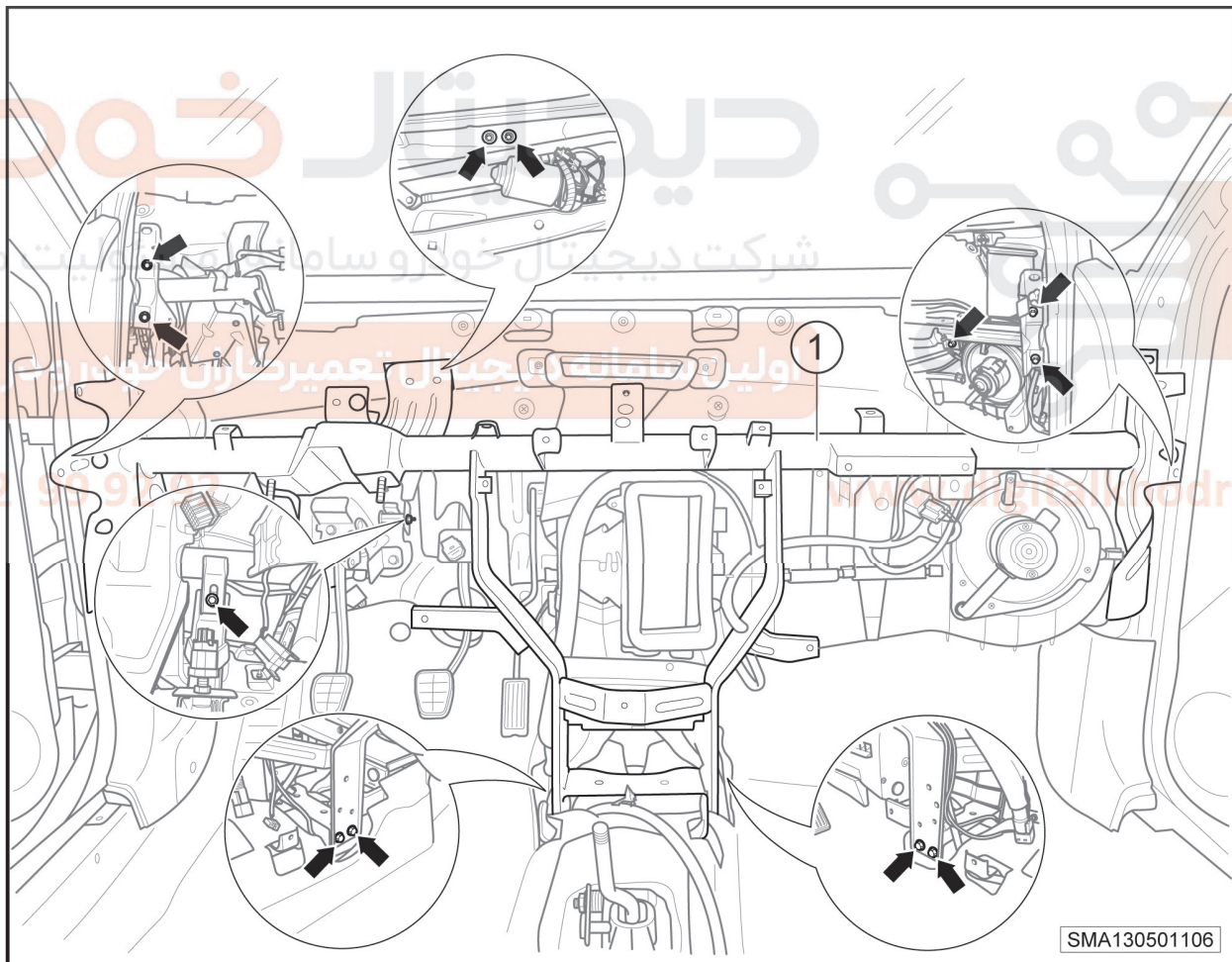
### Installation

Installation shall follow the reverse sequence of the removal procedure.

## 3.6.2 Removing and installing the cross car beam

### Caution

- Please wear protective gloves during repair.
- The interior trims and the body paint must never be scratched.
- When removing, installing and repairing the cross car beam, two or more technicians are needed to assist the operation.



05

### Removal

1. Remove the dashboard => refer to page 828.
2. Remove the fuse relay box .
3. Disconnect the dashboard wiring harness .

05 - Body

---

4. Unscrew the fixing bolts of the cross car beam (-arrow-).
5. Remove the cross car beam (-1-).

**Installation**

Installation shall follow the reverse sequence of the removal procedure.

دیجیتال خودرو

شرکت دیجیتال خودرو سامانه (مسئولیت محدود)

اولین سامانه دیجیتال تعمیرکاران خودرو در ایران



021 62 99 92 92

www.digitalkhodro.com



### 3.7 Central storage compartment

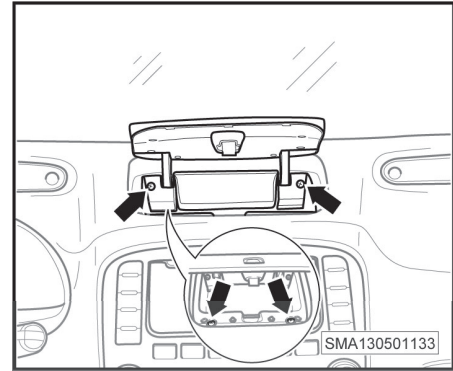
#### 3.7.1 Removing and installing the central storage compartment

##### Caution

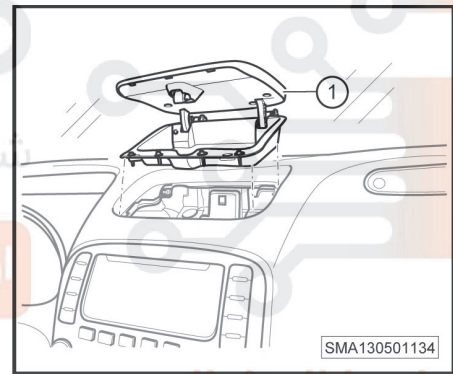
- Please wear protective gloves during repair.
- The interior trims must never be scratched.

##### Removal

1. Unscrew the fixing screws of the central storage compartment (-arrow-).



2. Remove the central storage compartment (-1-).



##### Installation

Installation shall follow the reverse sequence of the removal procedure.

### 3.8 Left lower guard plate of the dashboard

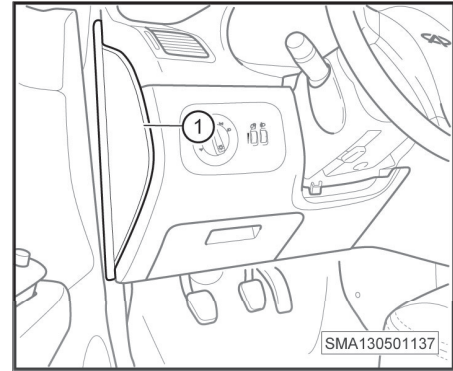
#### 3.8.1 Removing and installing the left lower guard plate of the dashboard

##### Caution

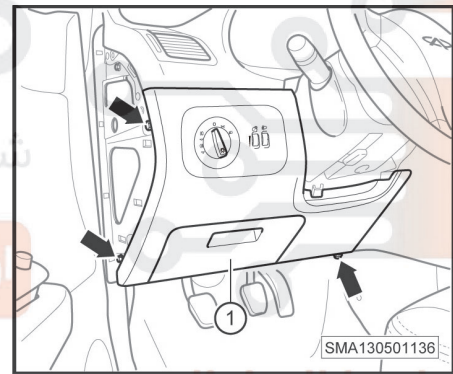
- Please wear protective gloves during repair.
- The interior trims and the body paint must never be scratched.

##### Removal

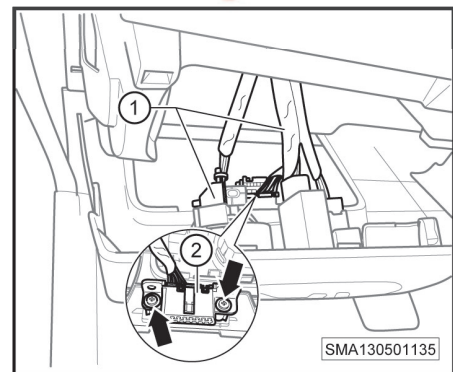
1. Remove the left plate of the dashboard (-1-).



2. Unscrew the fixing screws of the left lower guard plate of the dashboard (-arrow-).
3. Remove the left lower guard plate of the dashboard (-1-).



4. Disconnect the headlamp combination switch connector (-1-).
5. Unscrew the fixing screws of the diagnostic connector (-arrow-).



##### Installation

Installation shall follow the reverse sequence of the removal procedure.

**4 Seat**

4.1 Front seat.....833  
 4.2 Rear seat.....835

**4.1 Front seat**

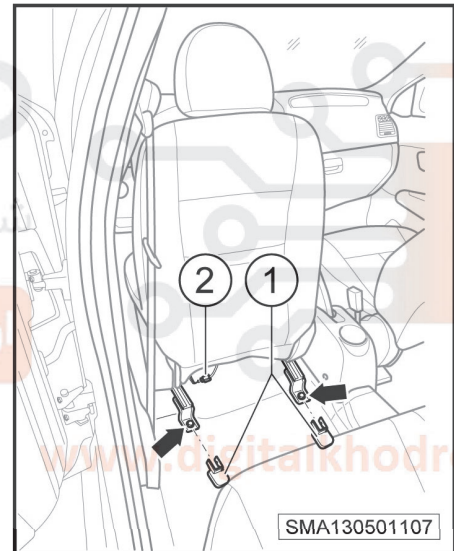
**4.1.1 Removing and installing the front seat**

**Caution**

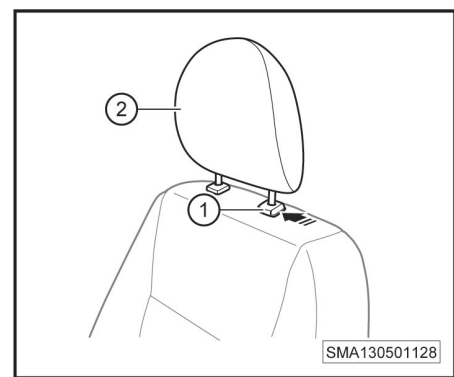
- Please wear protective gloves during repair.
- The interior trims and the body paint must never be scratched.
- The removal and installation procedures of the driver's side seat are the same as that of the front passenger's side seat.

**Removal**

1. Switch off all electrical equipment and the ignition switch, and pull out the key.
2. Remove the bolt caps (-1-).
3. Unscrew the fixing bolts of the driver's side seat (-arrow-).
4. Disconnect the seat occupation recognition sensor connector (-2-).



5. Press the button (-1-) in the (-arrow-) direction.
6. Remove the front seat headrest (-2-).



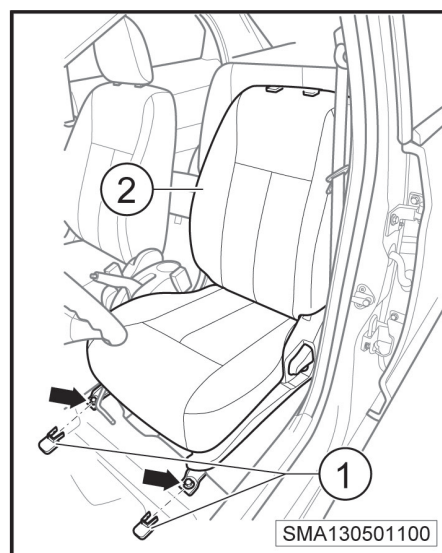
دیجیتال خودرو (موتوریست محدود) شرکت دیجیتال خودرو سامانه اولین سامانه دیجیتال تعمیرکاران خودرو در ایران

www.digitalkhodro.com

021 62 99 92 92

**05 - Body**

7. Remove the bolt caps (-1-).
8. Unscrew the fixing bolts of the driver's side seat (-arrow-).
  - Tightening torque of bolt:  $50 \pm 5 \text{ N}\cdot\text{m}$
9. Remove the driver's side seat (-2-).

**Installation**

Installation shall follow the reverse sequence of the removal procedure. Please pay attention to the following notes:

- Tighten the fixing bolts with the specified tightening torque.
- Check if the front seat is properly installed.
- Check if the front seat can be adjusted back and forth freely.

دیجیتال خودرو  
شرکت دیجیتال خودرو سامانه (مشاوره و خدمات محدود)

اولین سامانه دیجیتال تعمیرکاران خودرو در ایران



www.digitalkhodro.com

## 4.2 Rear seat

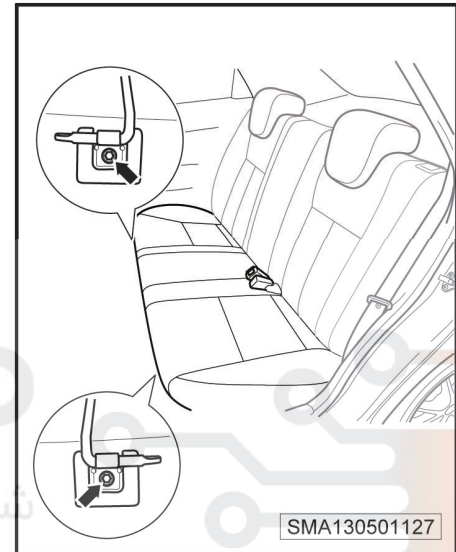
### 4.2.1 Removing and installing the rear seat

#### Caution

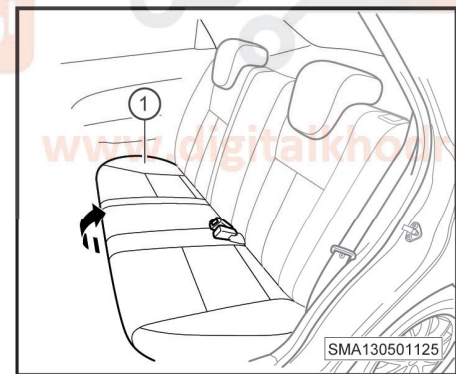
- Please wear protective gloves during repair.
- The interior trims and the body paint must never be scratched.

#### Removal

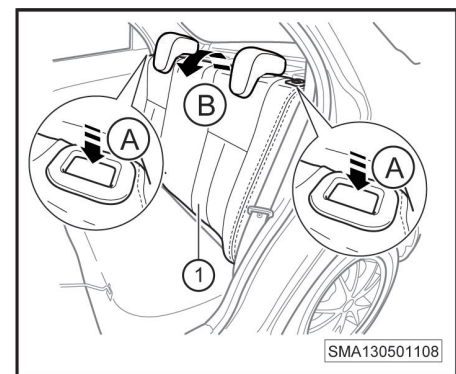
1. Remove the luggage compartment floor.
2. Unscrew the fixing bolts of the rear seat cushion (-arrow-).



3. Remove the rear seat cushion (-1-) in the (-arrow-) direction.

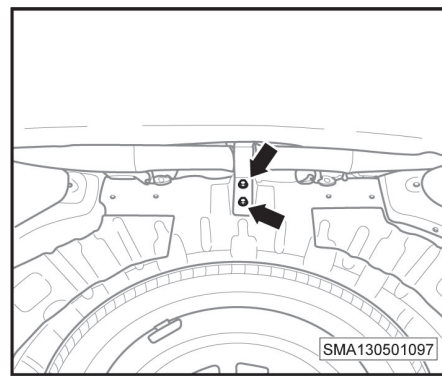


4. Press the rear seat backrest buttons in the (-arrow A-) direction.
5. Fold down the rear seat backrest (-1-) in the (-arrow B-) direction.

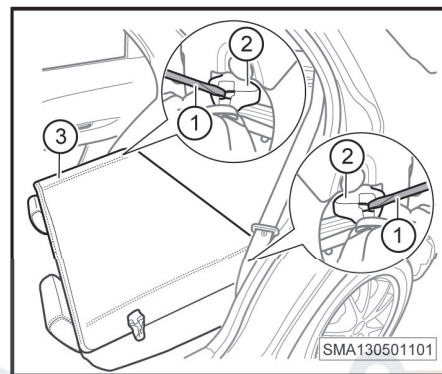


## 05 - Body

6. Unscrew the fixing bolts (-arrow-) from the rear seat backrest.



7. Loosen the clips (-2-) on both sides with the slotted screwdriver (-1-).
8. Remove the rear seat backrest (-3-).

**Installation**

Installation shall follow the reverse sequence of the removal procedure.

اولین سامانه دیجیتال تعمیرکاران خودرو در ایران



021 62 99 92 92

www.digitalkhodro.com