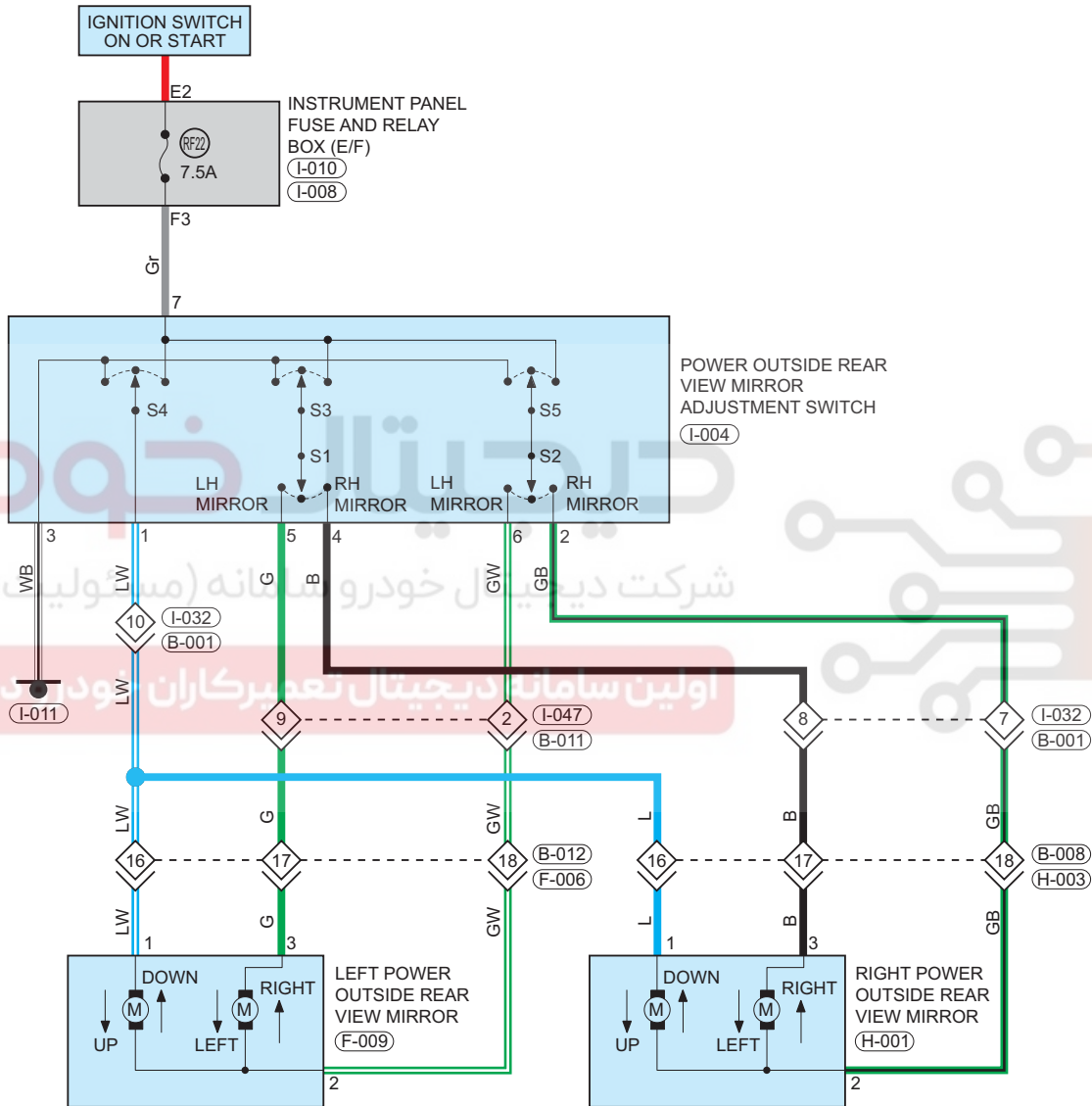


Rear View Mirror

Circuit Diagram (Page 1 of 2)



09

ET11092701

Parts Location

Connector Code	See Page	Connector Code	See Page	Connector Code	See Page
I-010	08-9	I-008	08-9	I-004	08-9
I-011	08-9	F-009	08-18	H-001	08-19

Fuse and Relay

Fuse/Relay	See Page	Fuse and Relay Box
RF22	06-15	Instrument Panel Fuse and Relay Box

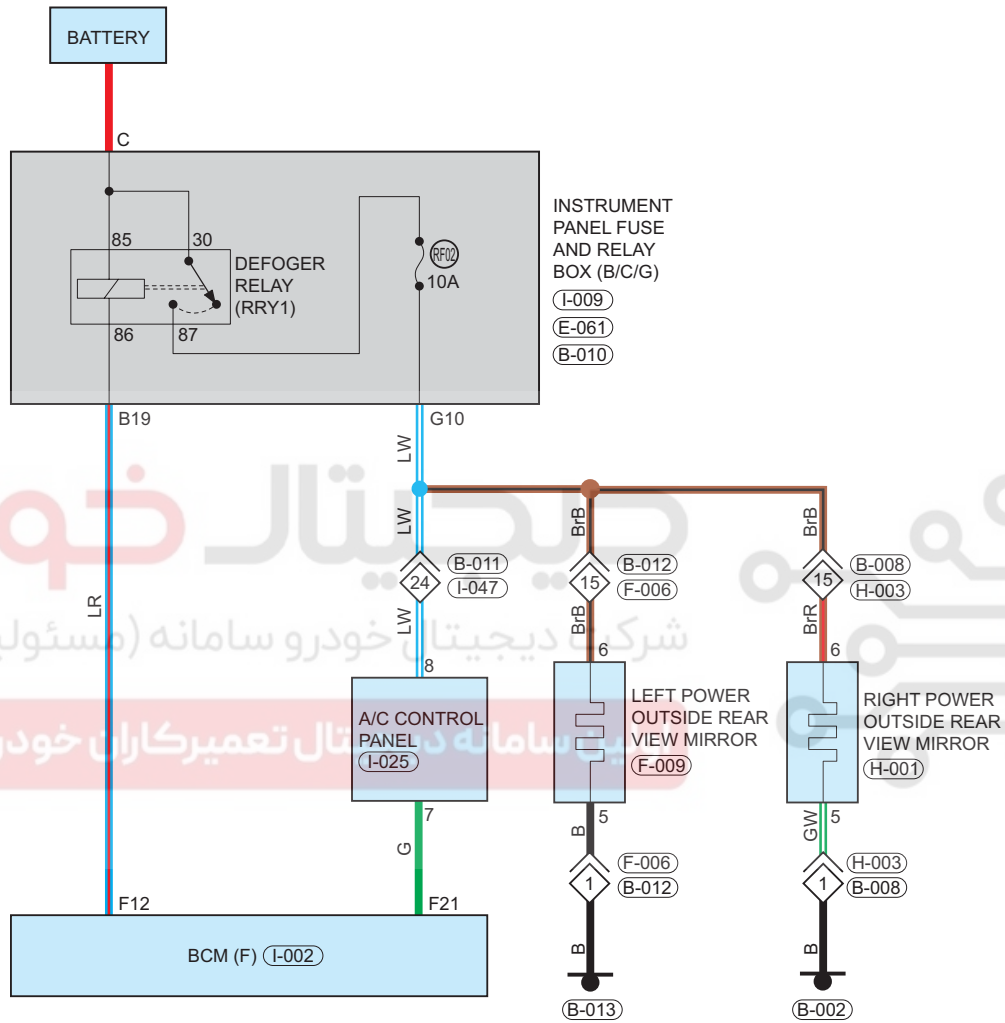
Location of Junction Connector

Connector Code	See Page	Connector Code	See Page	Connector Code	See Page
I-032, B-001	08-9, 08-13	I-047, B-011	08-9, 08-13	B-012, F-006	08-13, 08-18
B-008, H-003	08-13, 08-19				

Form of Connector

Connector Code	See Page	Connector Code	See Page	Connector Code	See Page
I-010	12-7	I-008	12-7	I-004	12-7
I-011	12-7	F-009	12-12	H-001	12-13
I-032, B-001	12-7, 12-10	I-047, B-011	12-7, 12-10	B-012, F-006	12-10, 12-12
B-008, H-003	12-10, 12-13				

Circuit Diagram (Page 2 of 2)



09

ET11092702