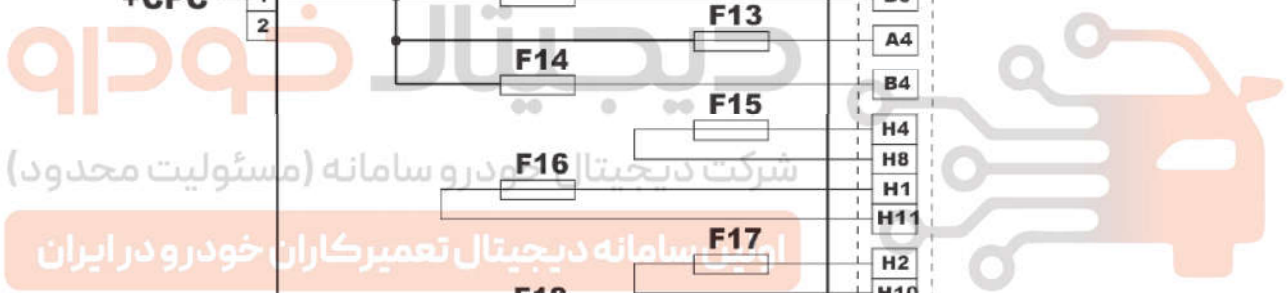
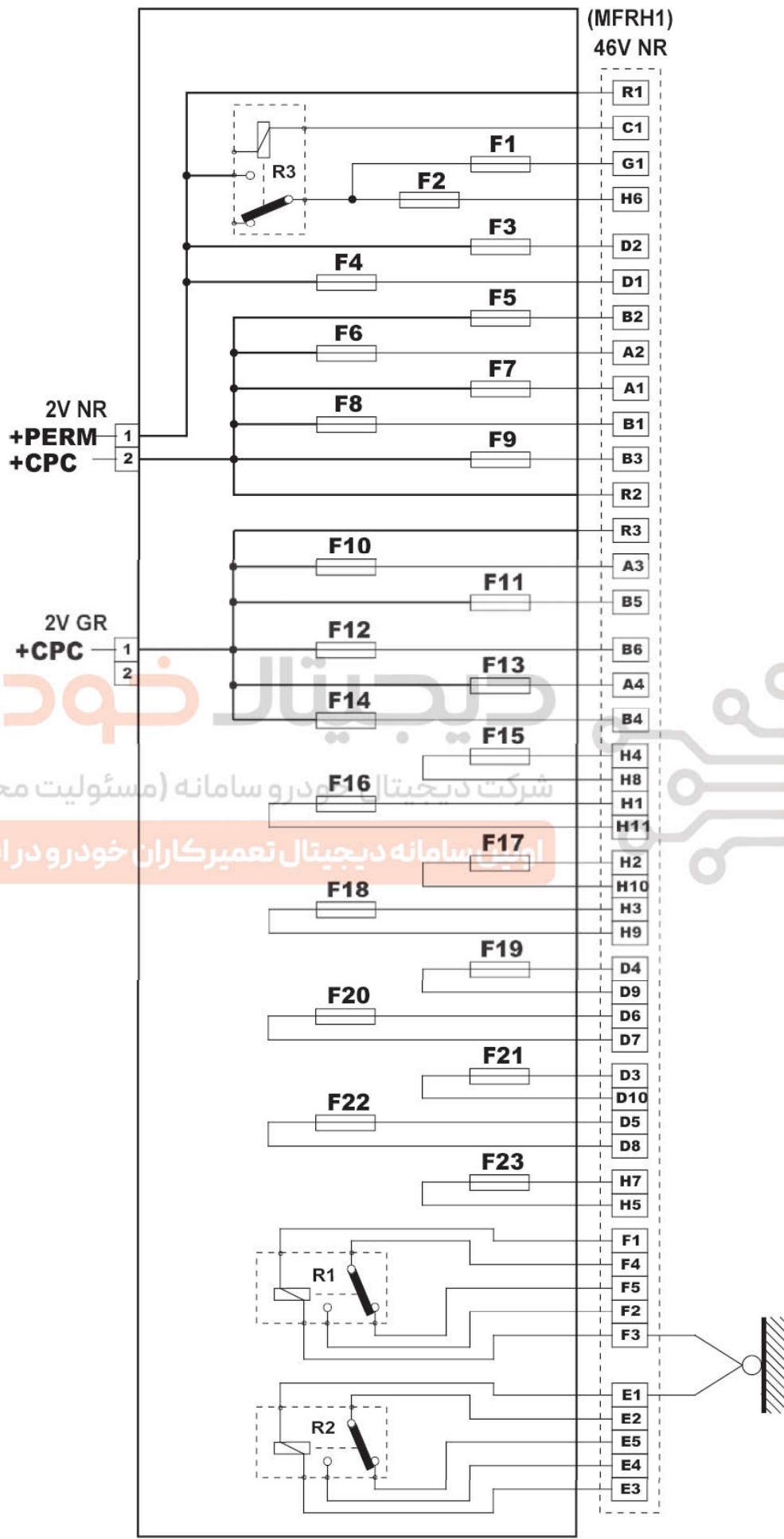
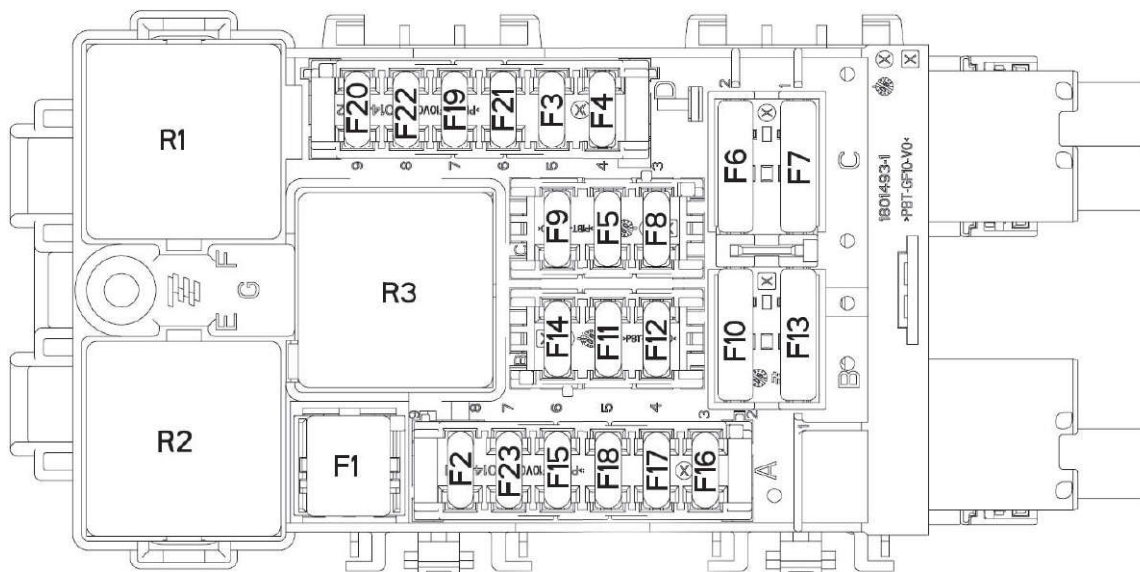


Allocation Of BFH3 Fuses



D3AP534P



d3ap534pi

allocation of BFH3 fuses			
fuse	A	supply	matching
F11	20A	-	trailer fuse box
F1	40A	-	heated rear screen
F2	7.5A	-	electrically-controlled heated rear view mirrors
F3	20A	-	driver's door electric window/rear view mirror control panel
F5	30A	-	rear door window motor with anti-pinch
F6	30A	-	anti-pinch electric window motor on passenger's door
F16	5A	-	driver's door electric window/rear view mirror control panel
F18	3A	-	passenger's seat memory and lighting control unit
F19	3A	-	centralised voltage maintaining system
F21	3A	-	hands free starting access ECU
F4	15A	-	
F7	25A	-	heated seats regulation unit
F8	15A	-	Rear air conditioning blower
F9	25A	-	CATVM
F10	25A	-	driver's seat adjustment relay - driver's seat memory control unit
F12	20A	-	audio amplifier
F13	25A	-	passenger's seat adjustment relay
F14	5A	-	-
F15	20A	-	sequential sun roof motor - Vellum
F17	3A	-	Taxi printer
F20	3A	-	CATVM
F22	5A	-	Taxi fare counter
F23	10A	-	Taxi radio

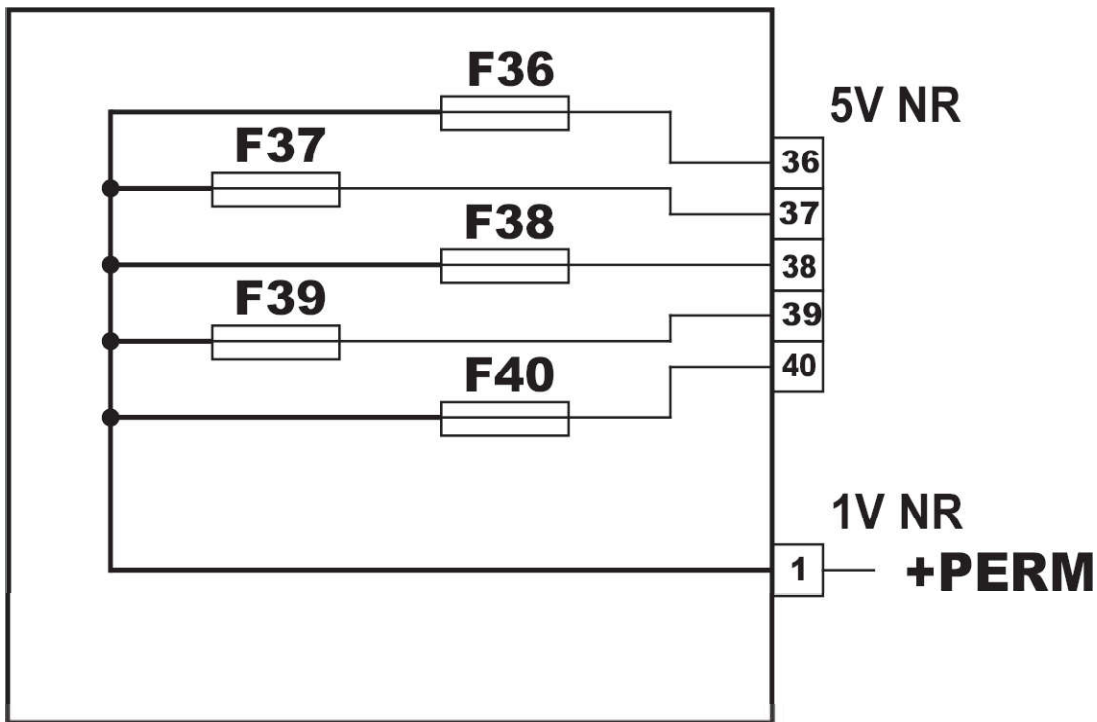
# دیجیتال خودرو

شرکت دیجیتال خودرو سامانه (مسئولیت محدود)

اولین سامانه دیجیتال تعمیرکاران خودرو در ایران



Allocation Of BFH5 Fuses



دیجیتال خودرو

شرکت دیجیتال خودرو سامانه (مسئولیت محدود)

اولین سامانه دیجیتال تعمیرکاران خودرو در ایران

D3AP535P





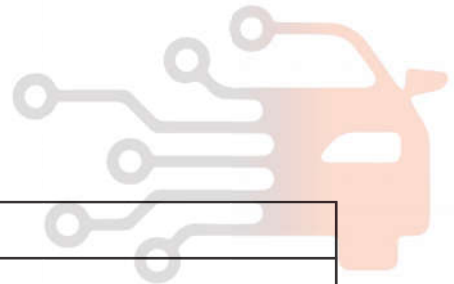
BFH5  
1V NR  
5V NR

10 PR

D3CZM711

# دیجیتال خودرو

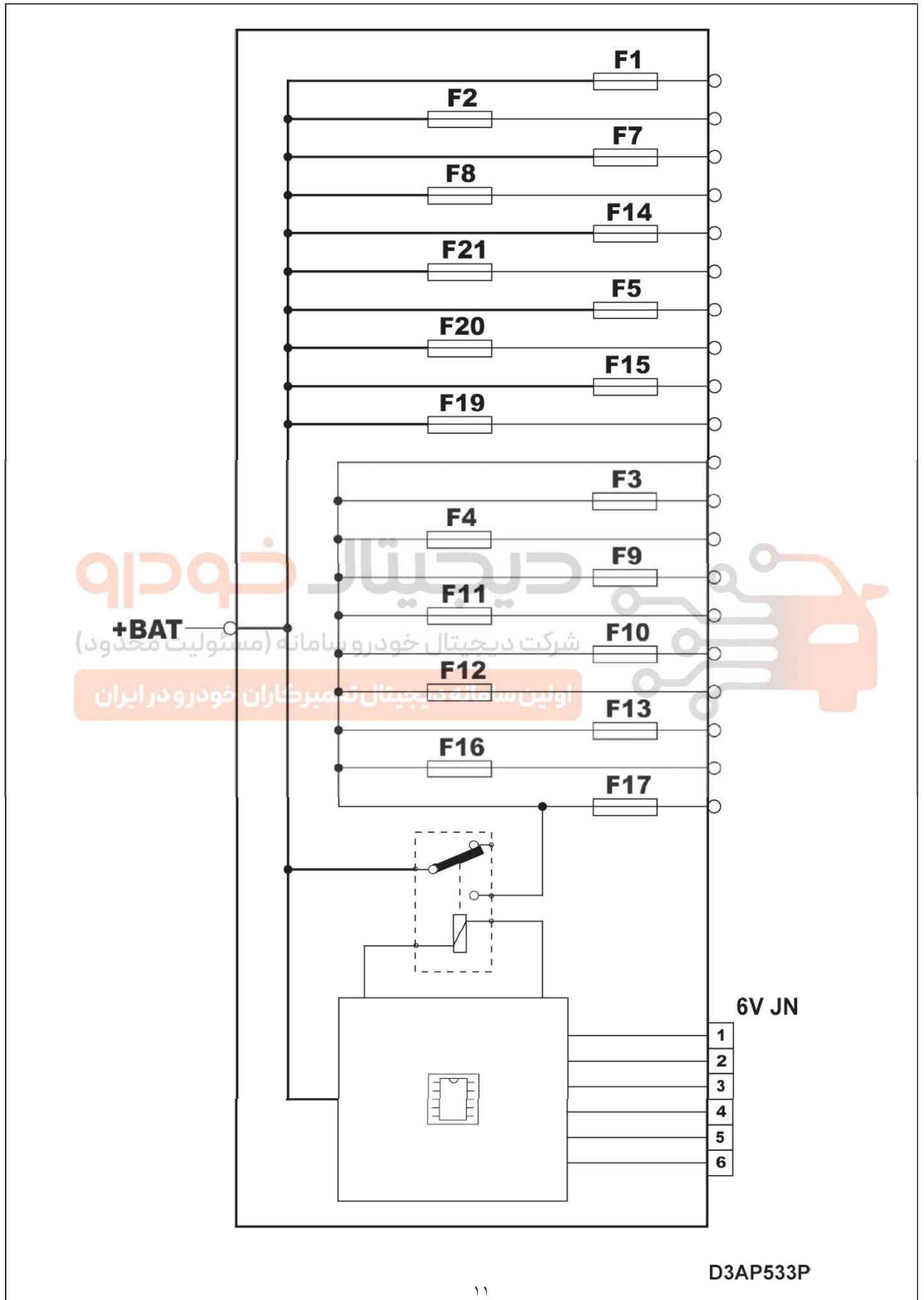
شرکت دیجیتال خودرو سامانه (مسئولیت محدود)



allocation of fuses BFH5

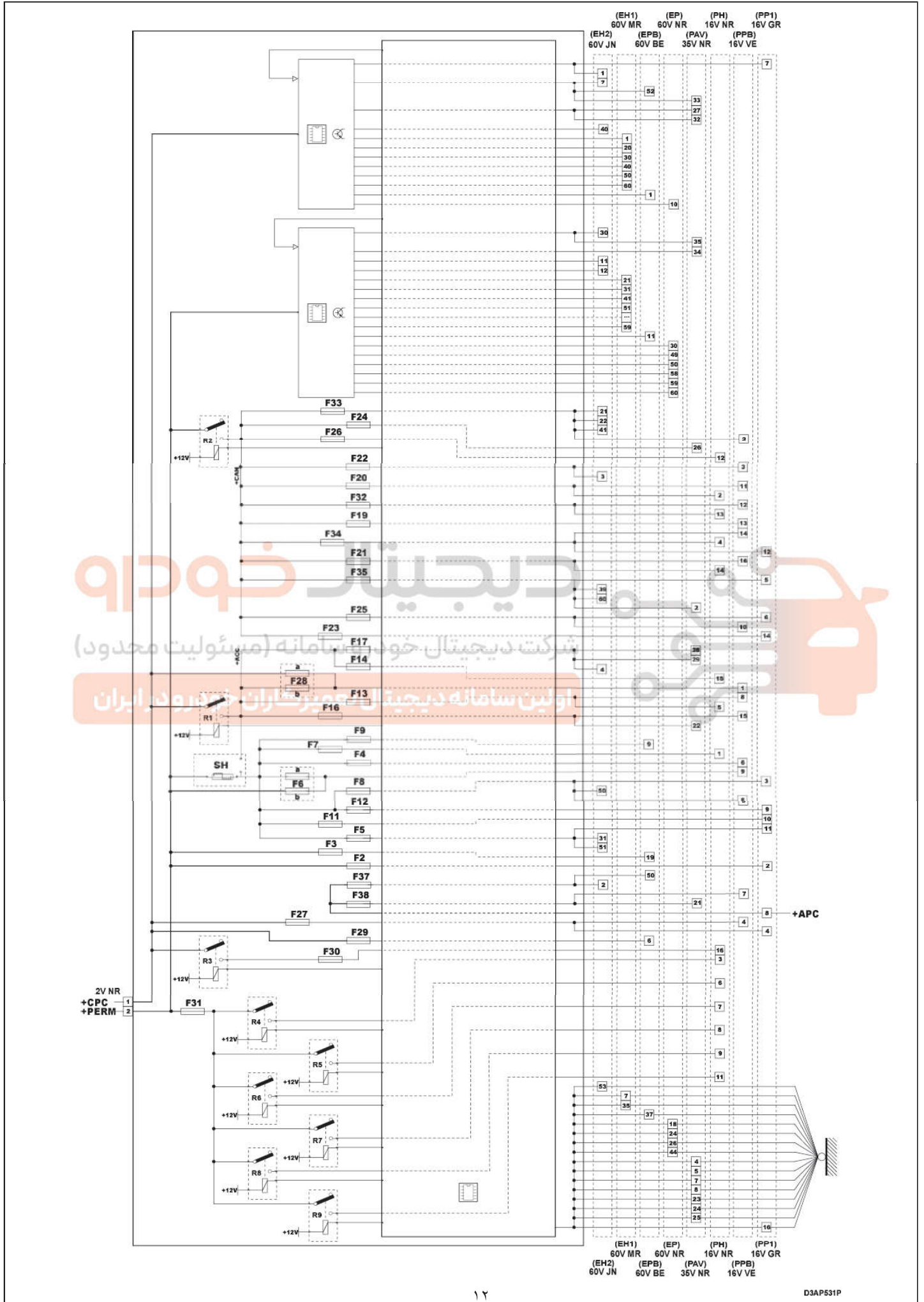
fuse	A	supply	matching
F35	25A	-	unused
F37	-	-	unused
F38	5A	-	nox sensor
F39	-	-	unused
F40	30A	-	urea reservoir pump gauge module

Allocation Of BPGA Fuses

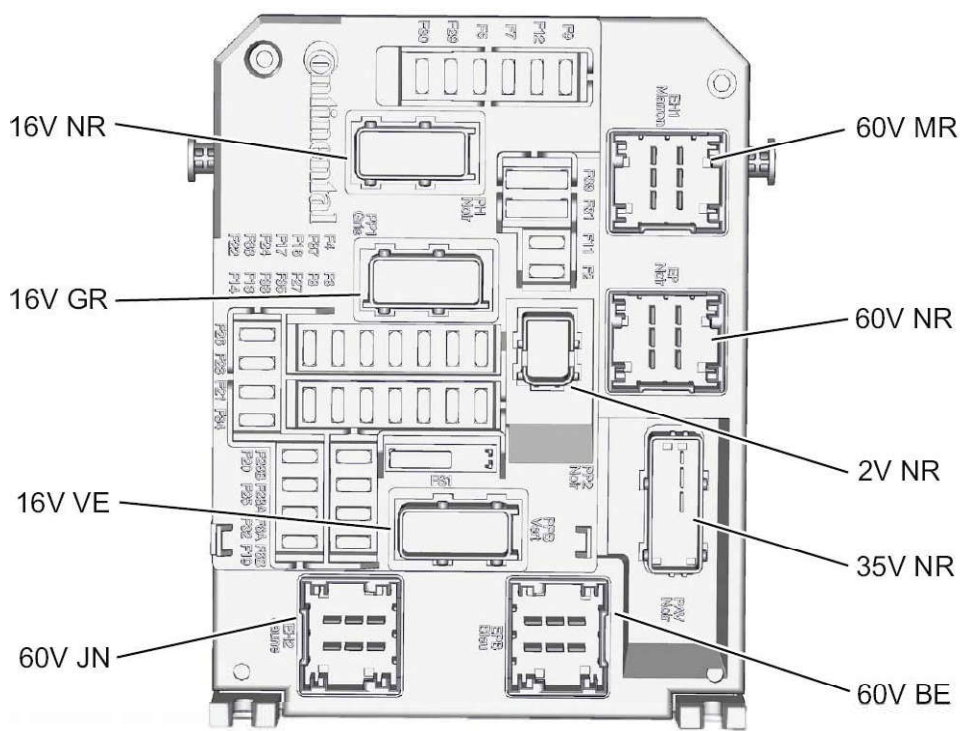


دیجیتال خودرو  
 شرکت دیجیتال خودرو سامانه (مسئولیت محدود)  
 اولین سامانه دیجیتال تعمیرکاران خودرو در ایران

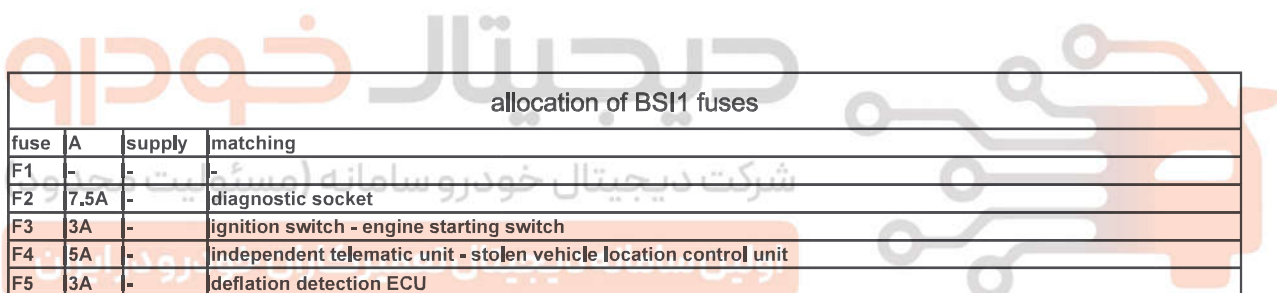
Allocation Of BSI1 Fuses



### Allocation Of BSI1 Fuses



d3ap531pi



allocation of BSI1 fuses			
fuse	A	supply	matching
F1	-	-	-
F2	7.5A	-	diagnostic socket
F3	3A	-	ignition switch - engine starting switch
F4	5A	-	independent telematic unit - stolen vehicle location control unit
F5	3A	-	deflation detection ECU
F6	15A	-	audio system
F7	15A	-	passenger compartment fuse box
F8	3A	-	volumetric anti-theft alarm control unit - anti-theft alarm siren - ADML electronic key reader
F9	3A	-	steering wheel switch module (COM2000)
F10	-	-	-
F11	5A	-	ESP ECU
F12	15A	-	dual-function brake switch
F13	10A	-	FRONT CIGAR-LIGHTER
F15	-	-	-
F16	3A	-	glovebox lamp - rear LH spotlamp
F17	3A	-	front central interior lamp
F18	-	-	-
F19	5A	-	instrument panel
F21	10A	-	air conditioning ECU - multifunction control panel - driver's seat memory control unit
F22	5A	-	multifunction screen - instrument panel matrix display - parking assistance ECU
F23	5A	-	engine compartment fusebox
F24	3A	-	rain/sunlight sensor
F25	5A	-	airbags and pretensioners ECU
F26	15A	-	-
F27	3A	-	gear selector
F28	15A	-	audio system
F29	3A	-	-
F31	30A	-	locks assembly
F32	10A	-	audio amplifier
F33	3A	-	-
F34	5A	-	telematic receiver control - head-up display control unit
F36	-	-	-
F37	3A	-	Headlight corrector selector switch
F14	10A	-	12 V socket
F35	3A	-	Power steering relay
F39	30A	-	locks assembly
F30	20A	-	-
F20	5A	-	smart beam
F38	3A	-	photochromic interior rear view mirror



Allocation Of PSF1 Fuses

