

EE-2

Engine Electrical System

General Information

Specifications

Ignition System

Items		Specification	
		2.4L	3.5L
Ignition coil	Primary resistance	0.62 ± 10 %	
	Secondary resistance	7.0kΩ ± 15 %	
Spark plugs	Type	LFR5A-11	SILZKR7B11, RER8WMPB4
	Gap	1.0 ~ 1.1mm (0.0394 ~ 0.0433in.)	

Starting System

Items		Specification		
		2.4L	3.5L	
Starter	Rated voltage	12 V, 1.2 kW	12 V, 1.4 kW	
	No. of pinion teeth	11	8	
	No-load characteristics	Voltage	11.5 V	
		Ampere	90A, MAX	
Speed		2,600 rpm, MIN		

Charging System

Items		Specification	
		2.4L	3.5L
Alternator	Rate voltage	13.5 V, 110A	13.5 V, 150A
	Speed in use	1,000 ~ 1,800 rpm	1,500 ~ 18,000 rpm
	Voltage regulator	IC regulator built-in type	
	Regulator setting voltage [at 25°C (77°F)]	14.2 ~ 14.8V	13.7 ~ 14.7V
Battery	Type	54 - 26 GL	64 - 28 GL
	Cold cranking amperage [at -18°C (-0.4°F)]	600 A	660 A
	Reserve capacity	110 min	145 min
	Specific gravity [at 25°C (77°F)]	1.280 ± 0.01	

General Information

EE-3

NOTICE

- *COLD CRANKING AMPERAGE* is the amperage a battery can deliver for 30 seconds and maintain a terminal voltage of 7.2V or greater at a specified temperature.
- *RESERVE CAPACITY RATING* is amount of time a battery can deliver 25A and maintain a minimum terminal voltage of 10.5V at 26.7°C(80.1°F).

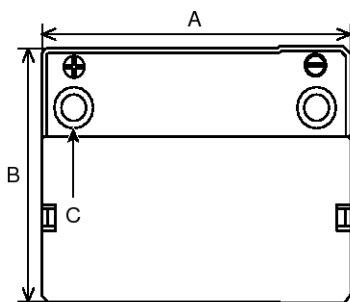
Battery type notation : MF 4 8 - 2 3 G L

① ② ③ ④ ⑤

- ① : Battery type
- MF : Maintenance Free
- ② : Battery capacity (5HR)
- 48 : 48AH
- ③ : Battery length (A)
- 23 : 230mm (9.06in)
- ④ : Battery width (B)
- A : 127mm (5.00in)
- B : 129mm (5.08in)
- C : 132mm (5.20in)
- D : 135mm (5.31in)
- E : 154mm (6.06in)
- F : 173mm (6.81in)
- G : 175mm (6.89in)
- H : 176mm (6.93in) or above
- ⑤ : Terminal location (C)
- L : Positive terminal is left
- R : Positive terminal is right



SVGE10111L



SXMEE9103L

EE-4

Engine Electrical System

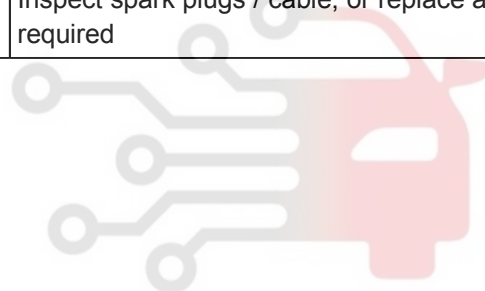
Troubleshooting

Ignition System

Symptom	Suspect area	Remedy
Engine will not start or is hard to start (Crank OK)	Ignition lock switch	Inspect ignition lock switch, or replace as required
	Ignition coil	Inspect ignition coil, or replace as required
	Spark plugs	Inspect spark plugs, or replace as required
	Ignition wiring disconnected or broken	Repair wiring, or replace as required
Rough idle or stalls	Ignition wiring	Repair wiring, or replace as required
	Ignition coil	Inspect ignition coil, or replace as required
Engine hesitates/poor acceleration	Spark plugs and spark plug cables	Inspect spark plugs / cable, or replace as required
	Ignition wiring	Repair wiring, or replace as required
Poor mileage	Spark plugs and spark plug cables	Inspect spark plugs / cable, or replace as required

دیجیتال خودرو
شرکت دیجیتال خودرو سامانه (مسئولیت محدود)

اولین سامانه دیجیتال تعمیرکاران خودرو در ایران



General Information

EE-5

Charging System

Symptom	Suspect area	Remedy
Charging warning indicator does not light with ignition switch "ON" and engine off.	Fuse blown	Check fuses
	Light burned out	Replace light
	Wiring connection loose	Tighten loose connection
	Electronic voltage regulator	Disconnect the voltage regulator to see if light turns off. If light turns off, replace voltage regulator.
Charging warning indicator does not go out with engine running. (Battery requires frequent recharging)	Drive belt loose or worn	Adjust belt tension or replace belt
	Battery cable loose, corroded or worn	Inspect cable connection, repair or replace cable
	Electronic voltage regulator or alternator	Disconnect the voltage regulator or alternator to see if light turns off. If light turns off, replace voltage regulator.
	Wiring	Repair or replace wiring
Overcharge	Electronic voltage regulator	Disconnect the voltage regulator to see if light turns off. If light turns off, replace voltage regulator.
	Voltage sensing wire	Repair or replace wiring
Discharge	Drive belt loose or worn	Adjust belt tension or replace belt
	Wiring connection loose or short circuit	Inspect wiring connection, repair or replace wiring
	Electronic voltage regulator or alternator	Disconnect the voltage regulator or alternator to see if light turns off. If light turns off, replace voltage regulator.
	Poor grounding	Inspect ground or repair
	Worn battery	Replace battery

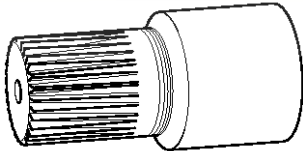
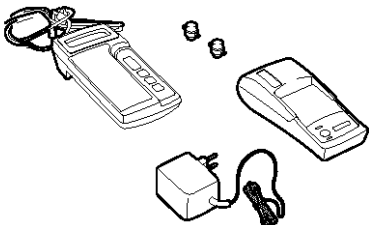
EE-6

Engine Electrical System

Starting System

Symptom	Suspect area	Remedy
Engine will not crank	Battery charge low	Charge or replace battery
	Battery cables loose, corroded or worn out	Repair or replace cables
	Transaxle range switch (Vehicle with automatic transaxle only)	Refer to TR group-automatic transaxle
	Fuse blown	Replace fuse
	Starter motor faulty	Replace
	Ignition switch faulty	Replace
Engine cranks slowly	Battery charge low	Charge or replace battery
	Battery cables loose, corroded or worn out	Repair or replace cables
	Starter motor faulty	Replace
Starter keeps running	Starter motor	Replace
	Ignition switch	Replace
Starter spins but engine will not crank	Short in wiring	Repair wiring
	Pinion gear teeth broken or starter motor	Replace
	Ring gear teeth broken	Replace fly wheel or torque converter

Reference Service Tools

Tool (Number and name)	Illustration	Use
Alternator pulley remover wrench	 EBDD700A	Removal and installation of alternator pulley
Micro-570 Battery checker	 LBLG001A	<ul style="list-style-type: none"> - Check the battery condition - Check the charging and starting system

General Information

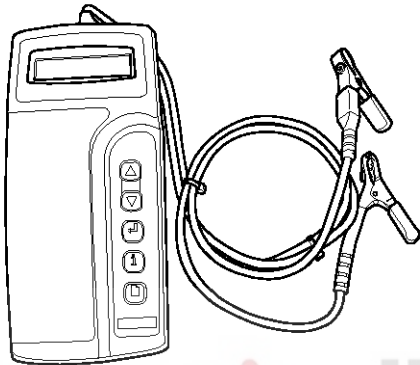
EE-7

The Micro 570 Analyzer

The Micro 570 Analyzer provides the ability to test the charging and starting systems, including the battery, starter and alternator.

⚠ CAUTION

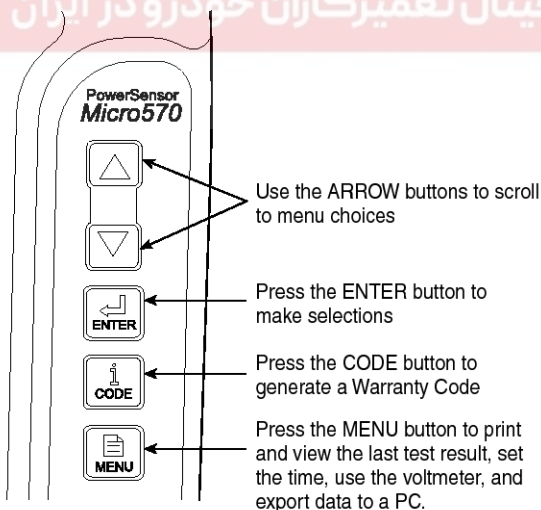
Because of the possibility of personal injury, always use extreme caution and appropriate eye protection when working with batteries.



EBKD001A

Keypad

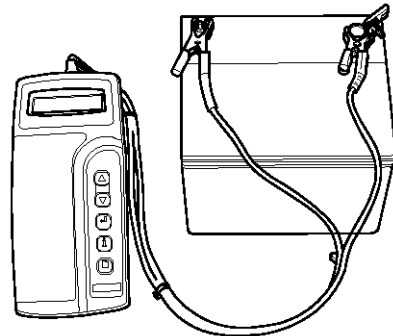
The Micro 570 button on the keypad provide the following functions :



LBGE012A

Battery Test Procedure

1. Connect the tester to the battery.
 - Red clamp to battery positive (+) terminal.
 - Black clamp to battery negative (-) terminal.

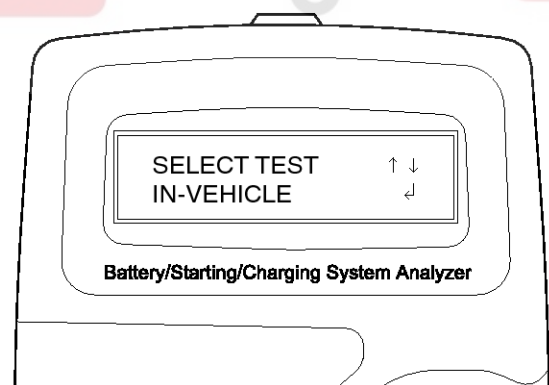


EBKD001C

⚠ CAUTION

Connect clamps securely. If "CHECK CONNECTION" message is displayed on the screen, reconnect clamps securely.

2. The tester will ask if the battery is connected "IN-VEHICLE" or "OUT-OF-VEHICLE". Make your selection by pressing the arrow buttons; then press ENTER.

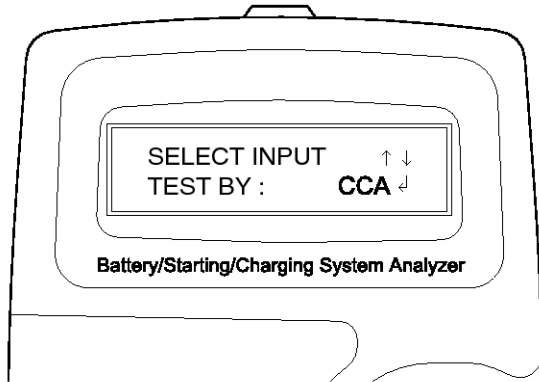


SXMEE9129D

EE-8

Engine Electrical System

3. Select CCA and press the ENTER button.

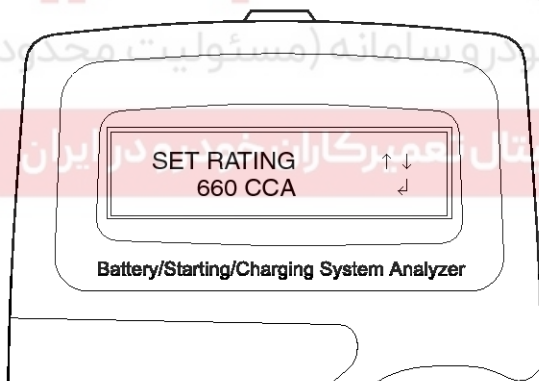


SXMEE9130D

NOTICE

CCA : Cold cranking amps, is an SAE specification for cranking batteried at $-0.4^{\circ}F$ ($-18^{\circ}C$).

4. Set the CCA value displayed on the screen to the CCA value marked on the battery label by pressing up and down buttons and press ENTER.

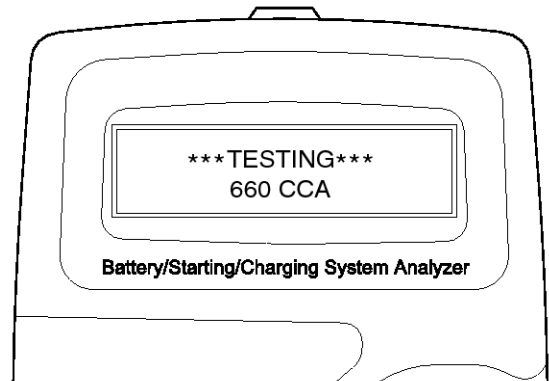


EBKD001F

NOTICE

The battery ratings(CCA) displayed on the tester must be identical to the ratings marked on battery label.

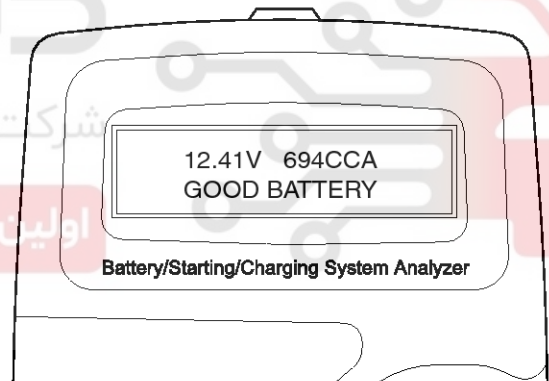
5. The tester will conduct battery test.



SXMEE9131D

6. The tester displays battery test results including voltage and battery ratings.

Refer to the following table and take the appropriate action as recommended by the Micro 570.



SXMEE9132D

General Information

EE-9

Battery Test Results

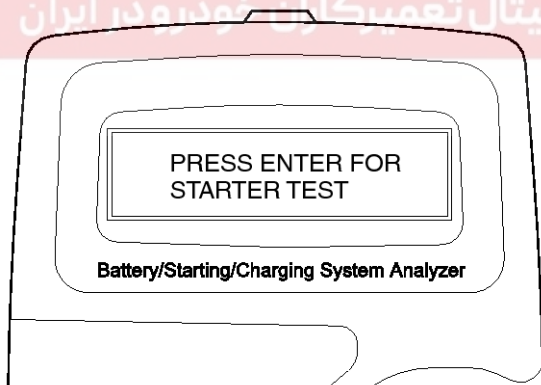
Result On Printer	Remedy
GOOD BATTERY	No action is required.
GOOD RECHARGE	Battery is in a good state. - Recharge the battery and use. (Battery may be charged by running the engine at idle for 20 minutes.)
CHARGE & RETEST	Battery is not charged properly. - Charge and test the battery again. (Failure to charge the battery fully may read incorrect measurement value.)
REPLACE BATTERY	Replace battery and recheck the charging system. - Improper connection between battery and vehicle cables may cause "REPLACE BATTERY". Retest the battery after removing cables and connecting the tester to the battery terminal directly prior to replacing the battery.
BAD CELL-REPLACE	Charge and retest the battery. - If the Micro 570 recommends "REPLACE BATTERY", replace the battery and recheck the charging system.

⚠ WARNING

Whenever filing a claim for battery, the print out of the battery test results must be attached.

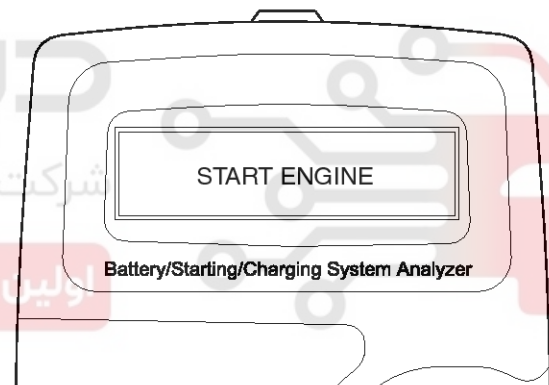
Starter Test Procedure

7. After the battery test, press ENTER immediately for the starter test.



EBKD001H

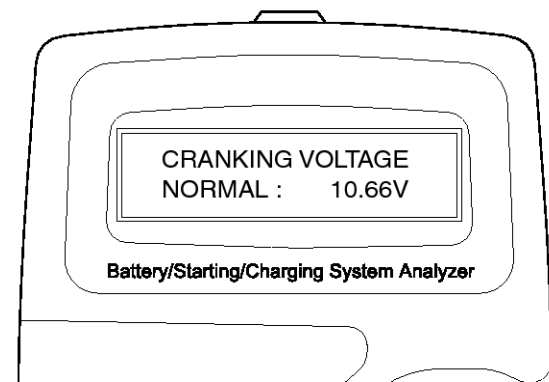
8. Start the engine.



EBKD001I

9. Cranking voltage and starter test results will be displayed on the screen.

Refer to the following table and take the appropriate action as recommended by the Micro 570.



EE-10

Engine Electrical System

SXMEE9133D

Starter Test Results

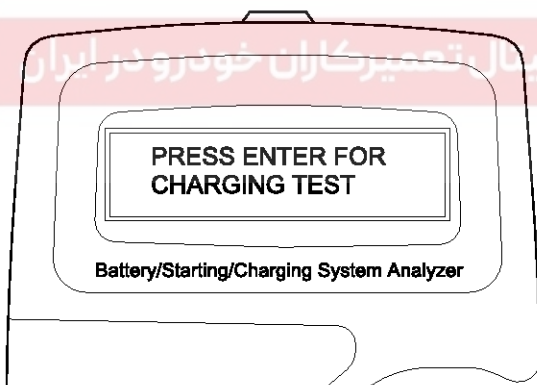
Result On Printer	Remedy
CRANKING VOLTAGE NORMAL	System shows a normal starter draw.
CRANKING VOLTAGE LOW	Cranking voltage is lower than normal level. - Check starter.
CHARGE BATTERY	The state of battery charge is too low to test. - Charge the battery and retest.
REPLACE BATTERY	Replace battery. - If the vehicle is not started though the battery condition of "GOOD BATTERY" is displayed, check wiring for open circuit, battery cable connection, starter and repair or replace as necessary. - If the engine does crank, check fuel system.

NOTICE

When testing the vehicle with old diesel engines, the test result will not be favorable if the glow plug is not heated. Conduct the test after warming up the engine for 5 minutes.

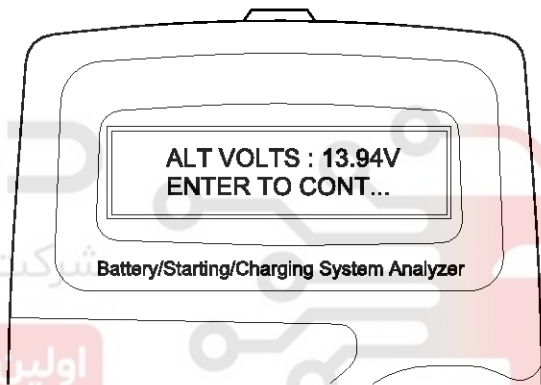
Charging System Test Procedure

10. Press ENTER to begin charging system test.



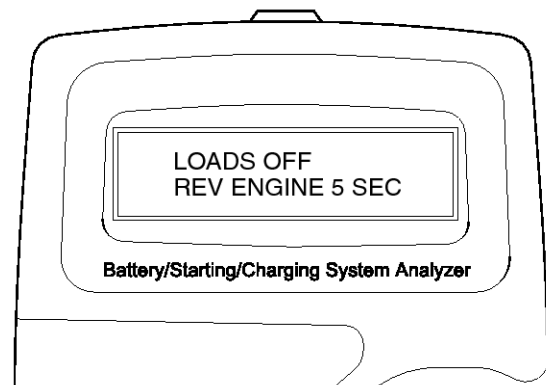
EBKD001K

11. The tester displays the actual voltage of alternator. Press ENTER to continue.



EBKD001L

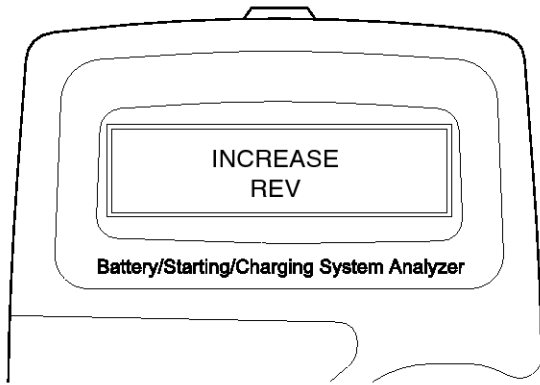
12. Turn off all electrical load and rev engine for 5 seconds with pressing the accelerator pedal. (Follow the instructions on the screen)



EBKD001M

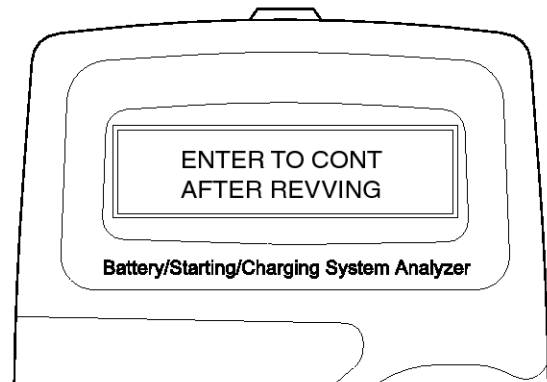
General Information

EE-11



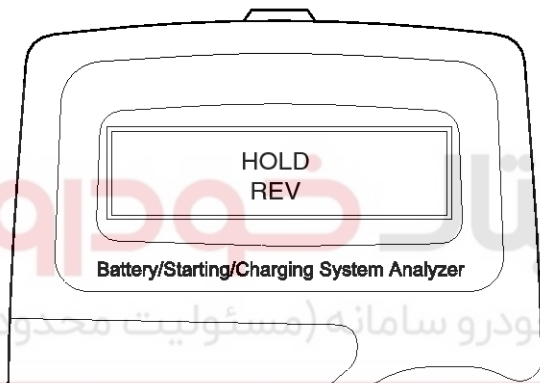
SXMEE9134D

14. If the engine RPM is not detected, press ENTER after revving engine.



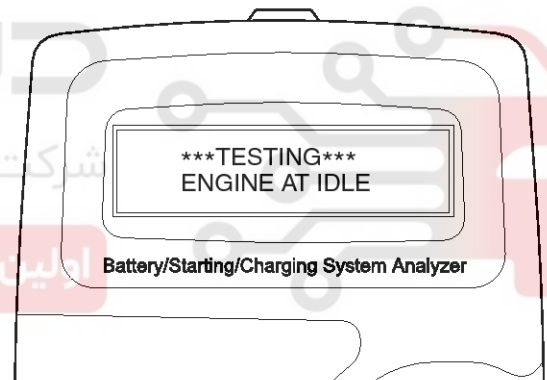
SXMEE9137D

15. The tester will conduct charging system test during loads off.

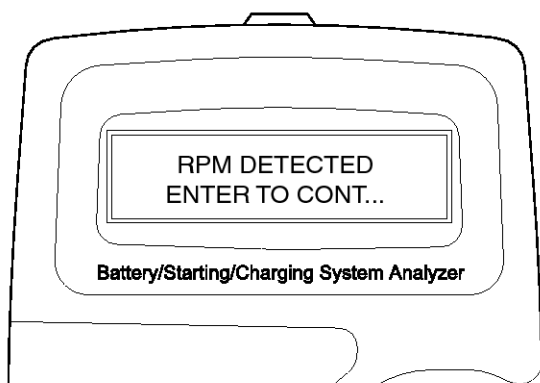


SXMEE9135D

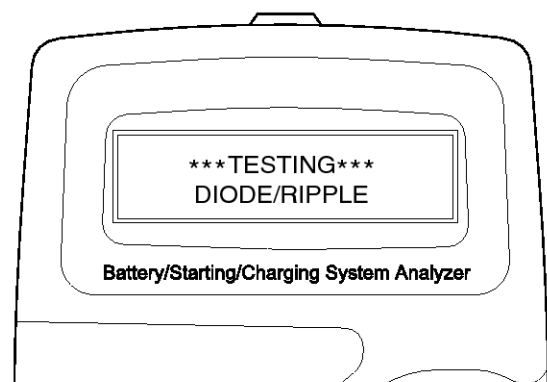
13. The message that engine RPM is detected will be displayed on the screen. Press ENTER to continue.



EBKD0010



SXMEE9136D

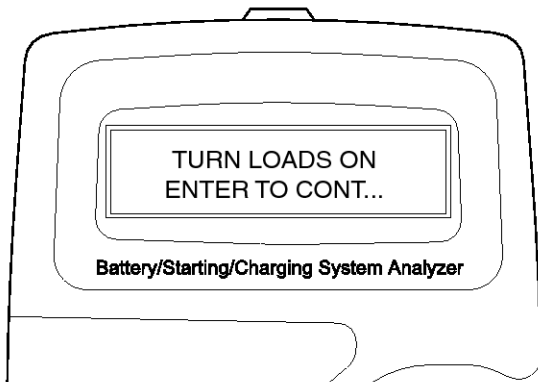


SXMEE9138D

EE-12

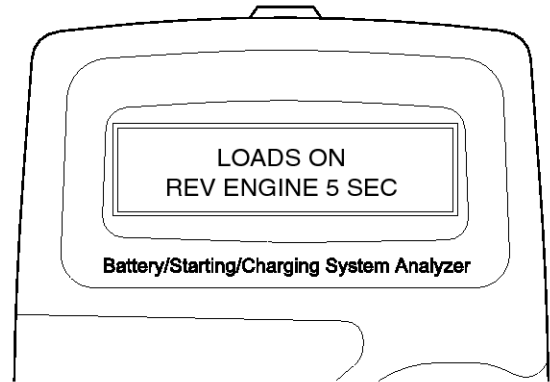
Engine Electrical System

16. Turn on electrical loads (air conditioner, lamps, audio and etc). Press ENTER to continue.



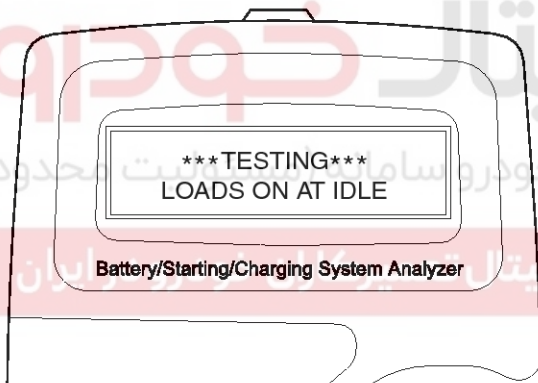
SXMEE9139D

18. Rev engine for 5 seconds with pressing the accelerator pedal. (Follow the instructions on the screen)

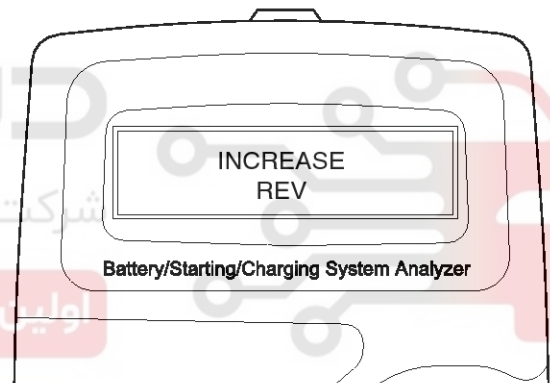


SXMEE9141D

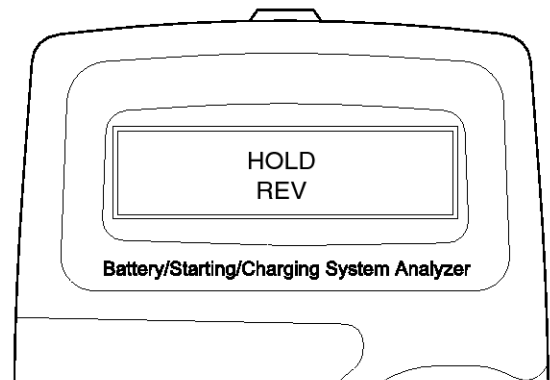
17. The tester will conduct charging system test during loads on.



SXMEE9140D



SXMEE9142D

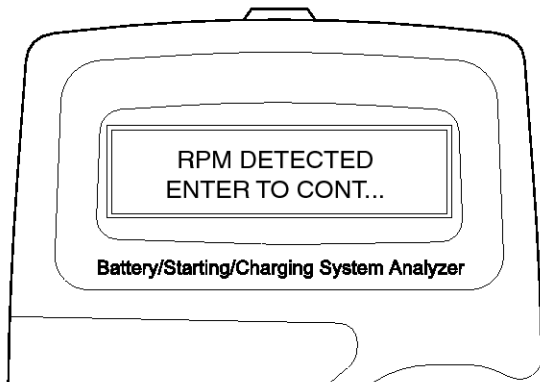


SXMEE9143D

General Information

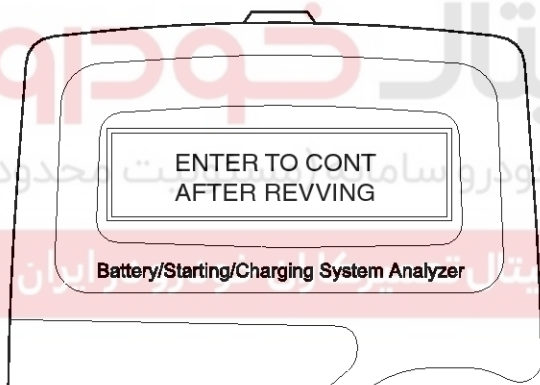
EE-13

19. The message that engine RPM is detected will be displayed on the screen. Press ENTER to continue.



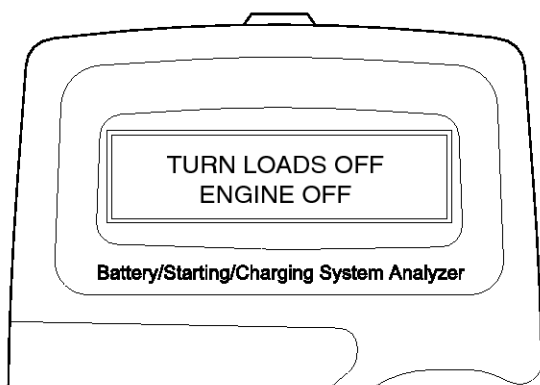
SXMEE9144D

20. If the engine RPM is not detected, press ENTER after revving engine.



SXMEE9145D

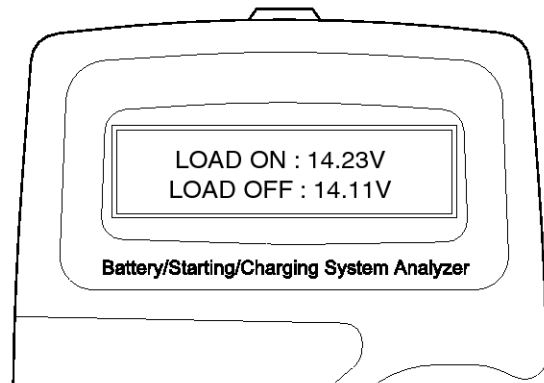
21. Turn off electrical loads (air conditioner, lamps, audio and etc). Turn the engine off.



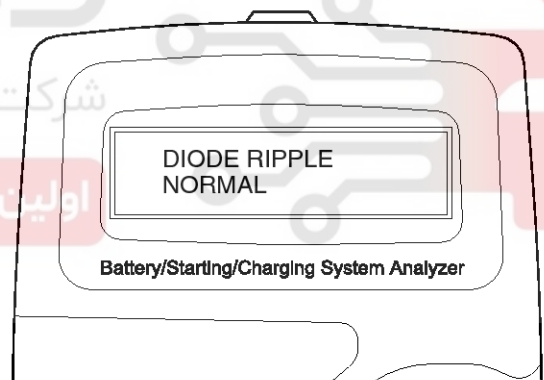
SXMEE9146D

22. Charging voltage and charging system test results will be displayed on the screen.

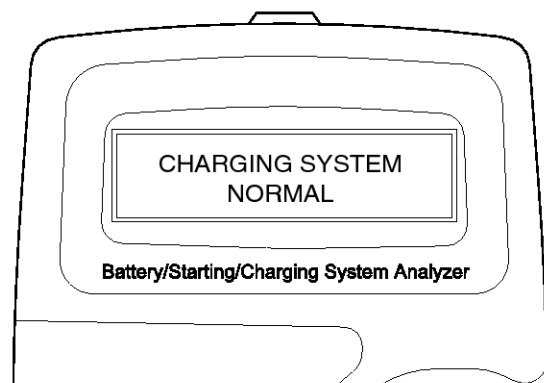
Shut off engine and disconnect the tester clamps from the battery. Refer to the following table and take the appropriate action as recommended by the Micro 570.



SXMEE9147D



EBKD001P



SXMEE9148D

EE-14

Engine Electrical System

Charging System Test Results

Result On Printer	Remedy
CHARGING SYSTEM NORMAL / DIODE RIPPLE NORMAL	Charging system is normal.
NO CHARGING VOLTAGE	Alternator does not supply charging current to battery. - Check belts, connection between alternator and battery and replace belts or cable or alternator as necessary.
LOW CHARGING VOLTAGE	Alternator does not supply charging current to battery and electrical load to system fully. - Check belts and alternator and replace as necessary.
HIGH CHARGING VOLTAGE	The voltage from alternator to battery is higher than normal limit during voltage regulating. - Check connection and ground and replace regulator as necessary. - Check electrolyte level in the battery.
EXCESS RIPPLE DETECTED	One or more diodes in the alternator is not functioning properly. - Check alternator mounting and belts and replace as necessary.

دیجیتال خودرو

شرکت دیجیتال خودرو سامانه (مسئولیت محدود)

اولین سامانه دیجیتال تعمیرکاران خودرو در ایران



Ignition System

EE-15

Ignition System

Description

Ignition timing is controlled by the electronic control ignition timing system. The standard reference ignition timing data for the engine operating conditions are preprogrammed in the memory of the ECM (Engine Control Module).

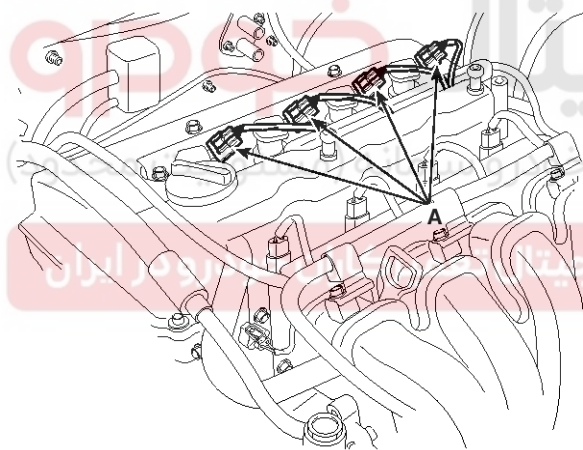
The engine operating conditions (speed, load, warm-up condition, etc.) are detected by the various sensors. Based on these sensor signals and the ignition timing data, signals to interrupt the primary current are sent to the ECM. The ignition coil is activated, and timing is controlled.

On-vehicle Inspection

Spark Test

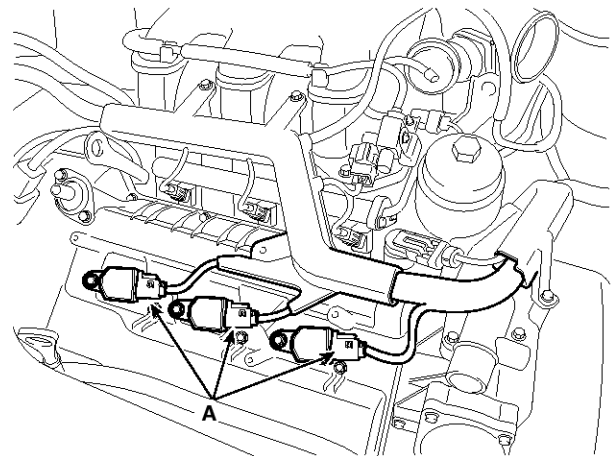
1. Remove the ignition coil connectors (A).

[2.4L]



SVG11108L

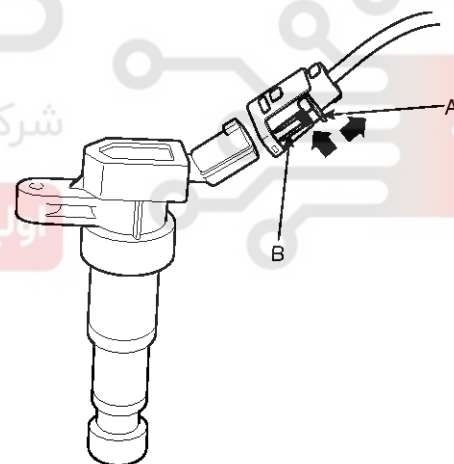
[3.5L]



SCMM20145L

NOTICE

When removing the ignition coil connector, pull the lock pin (A) and push the clip (B).



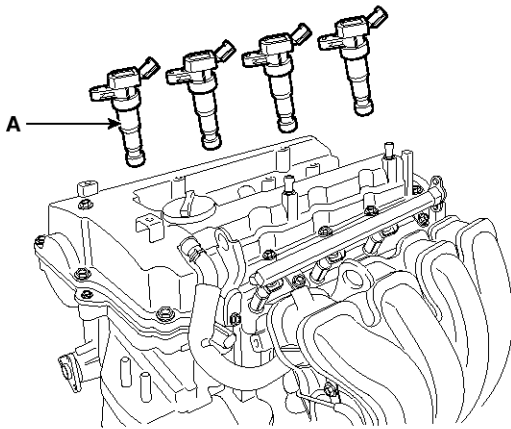
STQEE9001D

EE-16

Engine Electrical System

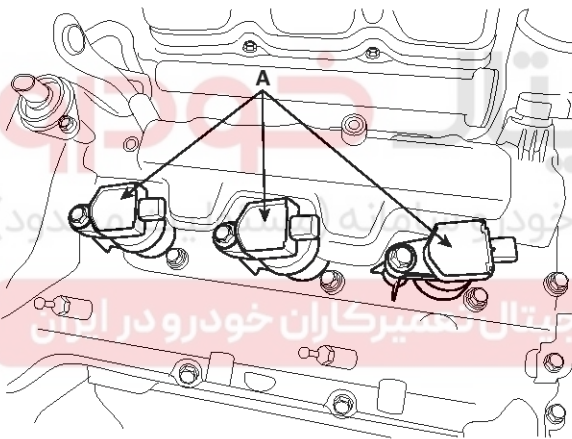
2. Remove the ignition coils (A).

[2.4L]



SSLM10002D

[3.5L]

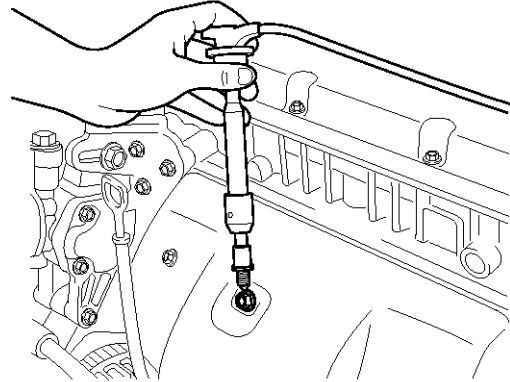


SBHEM8050D

NOTICE

For 3.5L engine, remove the ignition coils on the RH side after removing the surge tank. (Refer to Intake and exhaust system in EM group)

3. Using a spark plug socket, remove the spark plug.
4. Install the spark plug to the ignition coil.
5. Ground the spark plug to the engine.



ABGE001A

6. Check if spark occurs while engine is being cranked.

NOTICE

To prevent fuel being injected from injectors while the engine is being cranked, disconnect the fuel pump connector.

Crank the engine for no more than 5 ~ 10 seconds.

7. Inspect all the spark plugs.
8. Using a spark plug socket, install the spark plug.
9. Install the ignition coil.

Tightening torque :

2.4L: 3.9 ~ 5.9 N.m (0.4 ~ 0.6 kgf.m, 2.9 ~ 4.3 lb-ft)
 3.5L: 9.8 ~ 11.8 N.m (1.0 ~ 1.2 kgf.m, 7.2 ~ 8.7 lb-ft)

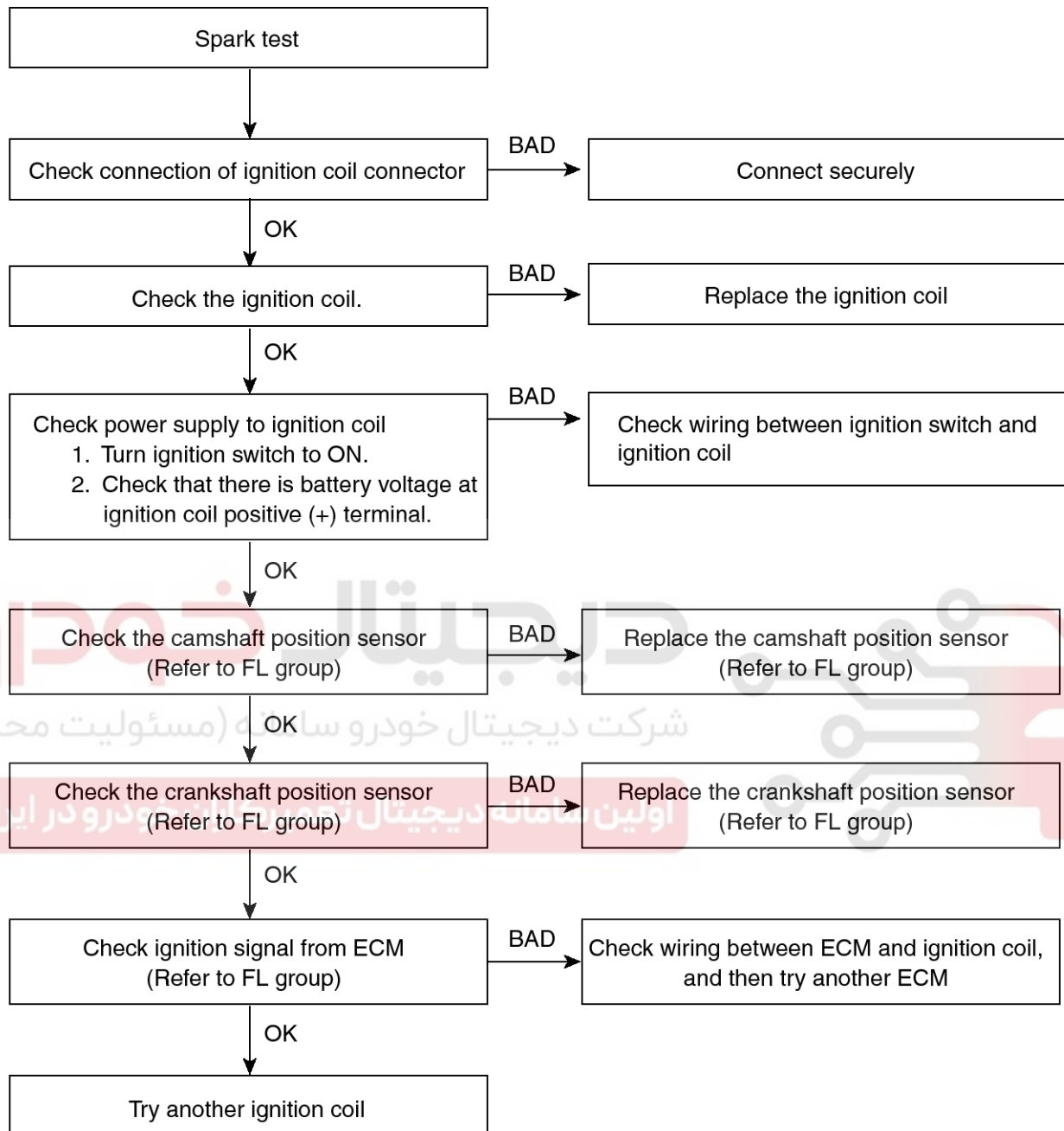
NOTICE

When inserting ignition coil into the cylinder head cover for spark plug to be inserting ignition coil, the sealing cap of ignition coil must be mated totally with inner side of cylinder head.

10. Reconnect the ignition coil connectors.

Ignition System

EE-17



SBHEE9020L

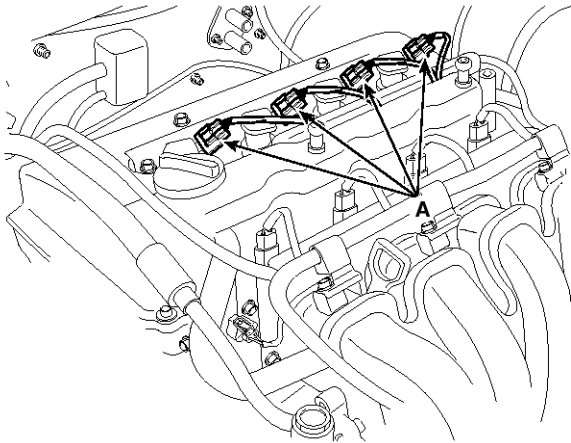
EE-18

Engine Electrical System

Inspect Spark Plug

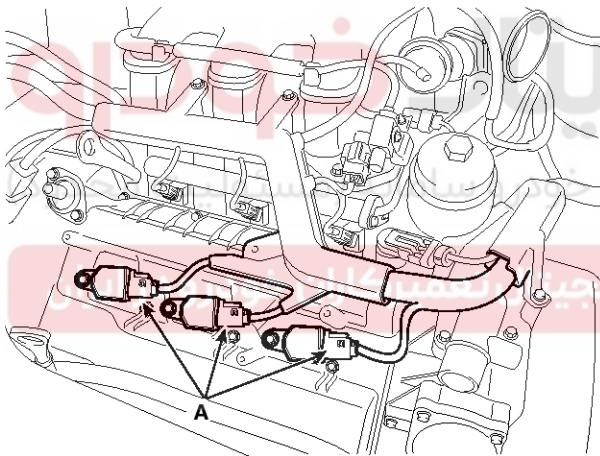
1. Remove the ignition coil connectors (A).

[2.4L]



SVG11108L

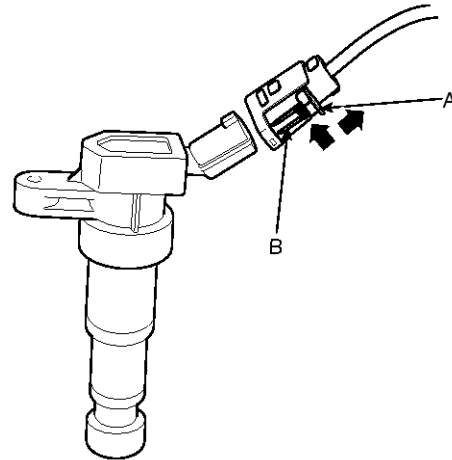
[3.5L]



SCMM20145L

NOTICE

When removing the ignition coil connector, pull the lock pin (A) and push the clip (B).



STQEE9001D

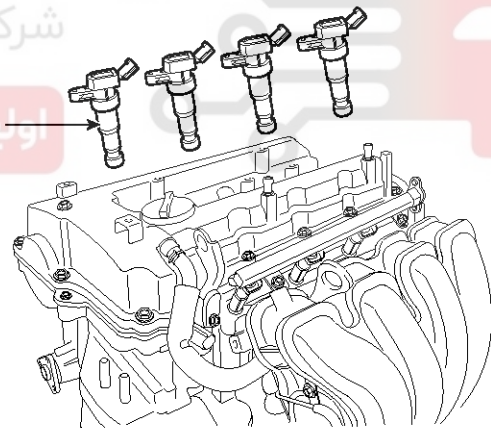
2. Remove the ignition coils (A).

Tightening torque :

2.4L: 3.9 ~ 5.9 N.m (0.4 ~ 0.6 kgf.m, 2.9 ~ 4.3 lb-ft)

3.5L: 9.8 ~ 11.8 N.m (1.0 ~ 1.2 kgf.m, 7.2 ~ 8.7 lb-ft)

[2.4L]

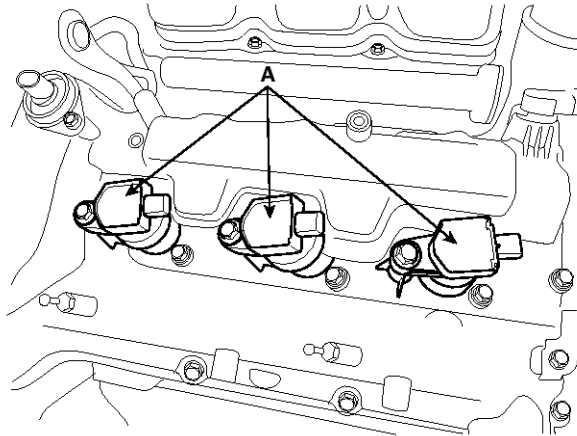


SSLM10002D

Ignition System

EE-19

[3.5L]



SBHEM8050D

NOTICE

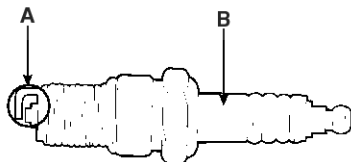
For 3.5L engine, remove the ignition coils on the RH side after removing the surge tank. (Refer to Intake and exhaust system in EM group)

3. Using a spark plug socket, remove the spark plug.

CAUTION

Be careful that no contaminants enter through the spark plug holes.

4. Inspect the electrodes (A) and ceramic insulator (B).



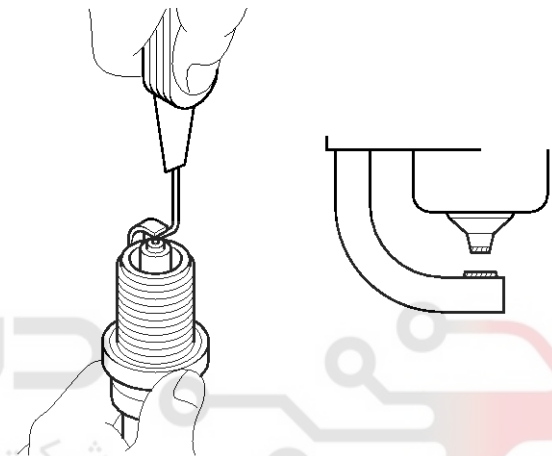
EBKD002K

Inspection Of Electrodes

Condition	Dark deposits	White deposits
Description	<ul style="list-style-type: none"> - Fuel mixture too rich - Low air intake 	<ul style="list-style-type: none"> - Fuel mixture too lean - Advanced ignition timing - Insufficient plug tightening torque

5. Check the electrode gap (A).

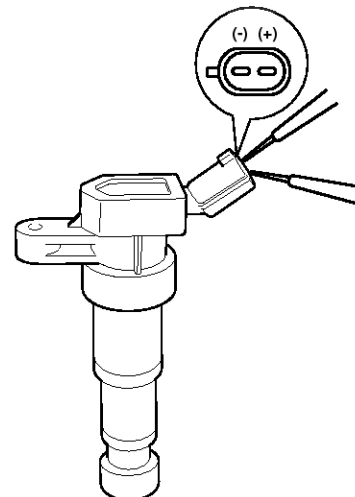
Standard : 1.0 ~ 1.1 mm (0.0394 ~ 0.0433 in.)



EBKE002L

Inspect Ignition Coil

1. Measure the primary coil resistance between terminals (+) and (-).



SUNEE9001N

Standard value: 0.62Ω ± 10%

EE-20

Engine Electrical System

Charging System

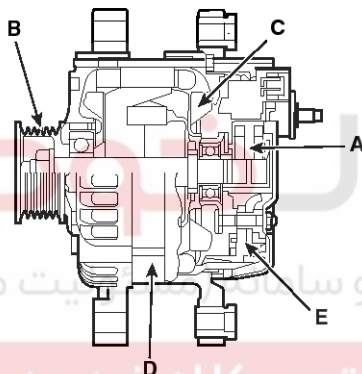
Description

The charging system includes a battery, an alternator with a built-in regulator, and the charging indicator light and wire.

The Alternator has built-in diodes, each rectifying AC current to DC current.

DC current appears at alternator "B" terminal. The charging voltage of this alternator is regulated by the ECM.

The main components of the alternator are the rotor, stator, rectifier, capacitor, brushes, bearings and V-ribbed belt pulley. The brush holder contains a built-in electronic voltage regulator.



SVGE20001D

- A. Brush
- B. Drive belt pulley
- C. Rotor
- D. Stator
- E. Rectifier

On-vehicle Inspection

⚠ CAUTION

- Check that the battery cables are connected to the correct terminals.
- Disconnect the battery cables when the battery is given a quick charge.
- Never disconnect the battery while the engine is running.

Check Battery Voltage

1. If 20 minutes have not passed since the engine was stopped, turn the ignition switch ON and turn on the electrical system (headlamp, blower motor, rear defogger etc.) for 60 seconds to remove the surface charge.
2. Turn the ignition switch OFF and turn off the electrical systems.
3. Measure the battery voltage between the negative (-) and positive (+) terminals of the battery.

Standard voltage: 12.5 ~ 12.9V at 20°C(68°F)

If the voltage is less than specification, charge the battery.

Check The Battery Terminals And Fuses

1. Check that the battery terminals are not loose or corroded.
2. Check the fuses for continuity.

Charging System

EE-21

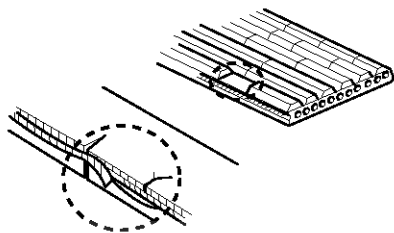
Inspect Drive Belt

Visually check the belt for excessive wear, frayed cords etc.

If any defect has been found, replace the drive belt.

NOTICE

Cracks on the rib side of a belt are considered acceptable. If the belt has chunks missing from the ribs, it should be replaced.



EBKD004B

Visually Check Alternator Wiring And Listen For Abnormal Noises

1. Check that the wiring is in good condition.
2. Check that there is no abnormal noise from the alternator while the engine is running.

Check Discharge Warning Light Circuit

1. Warm up the engine and then turn it off.
2. Turn off all accessories.
3. Turn the ignition switch "ON". Check that the discharge warning light is lit.
4. Start the engine. Check that the light is lit.

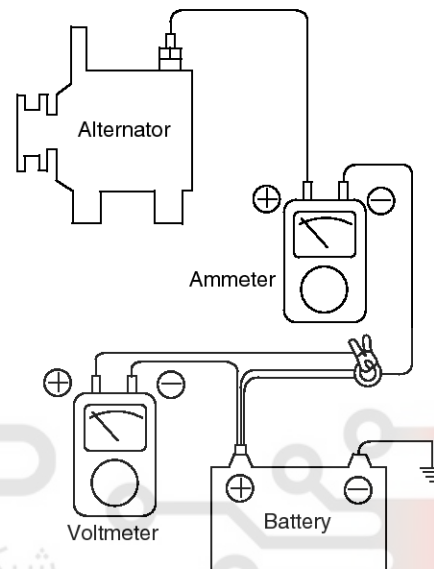
If the light does not go off as specified, troubleshoot the discharge light circuit.

Voltage Drop Test Of Alternator Output Wire

This test determines whether or not the wiring between the alternator "B" terminal and the battery (+) terminal is good by the voltage drop method.

Preparation

1. Turn the ignition switch to "OFF".
2. Disconnect the output wire from the alternator "B" terminal. Connect the (+) lead wire of ammeter to the "B" terminal of alternator and the (-) lead wire of ammeter to the output wire. Connect the (+) lead wire of voltmeter to the "B" terminal of alternator and the (-) lead wire of voltmeter to the (+) terminal of battery.



SVGE10020L

Test

1. Start the engine.
2. Turn on the headlamps and blower motor, and set the engine speed until the ammeter indicates 20A. And then, read the voltmeter at this time.

Result

1. The voltmeter may indicate the standard value.

Standard value: 0.2V max

2. If the value of the voltmeter is higher than expected (above 0.2V max.), poor wiring is suspected. In this case check the wiring from the alternator "B" terminal to the battery (+) terminal. Check for loose connections, color change due to an over-heated harness, etc. Correct them before testing again.
3. Upon completion of the test, set the engine speed at idle. Turn off the headlamps, blower motor and the ignition switch.

EE-22

Engine Electrical System

SVGE20100L

Output Current Test

This test determines whether or not the alternator gives an output current that is equivalent to the normal output.

Preparation

1. Prior to the test, check the following items and correct as necessary.

Check the battery installed in the vehicle to ensure that it is in good condition. The battery checking method is described in the section "Battery".

The battery that is used to test the output current should be one that has been partially discharged. With a fully charged battery, the test may not be conducted correctly.

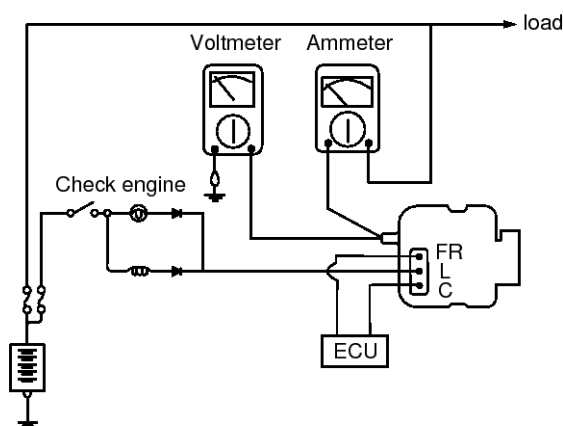
Check the tension of the alternator drive belt. The belt tension check method is described in the section "Inspect drive belt".

2. Turn off the ignition switch.
3. Disconnect the battery ground cable.
4. Disconnect the alternator output wire from the alternator "B" terminal.
5. Connect a DC ammeter (0 to 150A) in series between the "B" terminal and the disconnected output wire. Be sure to connect the (-) lead wire of the ammeter to the disconnected output wire.

NOTICE

Tighten each connection securely, as a heavy current will flow. Do not rely on clips.

6. Connect a voltmeter (0 to 20V) between the "B" terminal and ground. Connect the (+) lead wire to the alternator "B" terminal and (-) lead wire to a good ground.
7. Attach an engine tachometer and connect the battery ground cable.
8. Leave the engine hood open.



Test

1. Check to see that the voltmeter reads as the same value as the battery voltage. If the voltmeter reads 0V, and the open circuit in the wire between alternator "B" terminal and battery (+) terminal or poor grounding is suspected.
2. Start the engine and turn on the headlamps.
3. Set the headlamps to high beam and the heater blower switch to HIGH, quickly increase the engine speed to 2,500 rpm and read the maximum output current value indicated by the ammeter.

NOTICE

After the engine start up, the charging current quickly drops.

Therefore, the above operation must be done quickly to read the maximum current value correctly.

Result

1. The ammeter reading must be higher than the limit value. If it is lower but the alternator output wire is in good condition, remove the alternator from the vehicle and test it.

Limit value : 60% of the voltage rate

NOTICE

- The output current value changes with the electrical load and the temperature of the alternator itself.

Due to temperature the maximum output current may not be obtained. If such is the case, keep the headlamps on to increase the electrical load.

The nominal output current may not be obtained if the temperature of the alternator itself or ambient temperature is too high.

In such a case, reduce the temperature before testing again.

2. Upon completion of the output current test, lower the engine speed to idle and turn off the ignition switch.
3. Disconnect the battery ground cable.
4. Remove the ammeter and voltmeter and the engine tachometer.
5. Connect the alternator output wire to the alternator "B" terminal.
6. Connect the battery ground cable.

Charging System

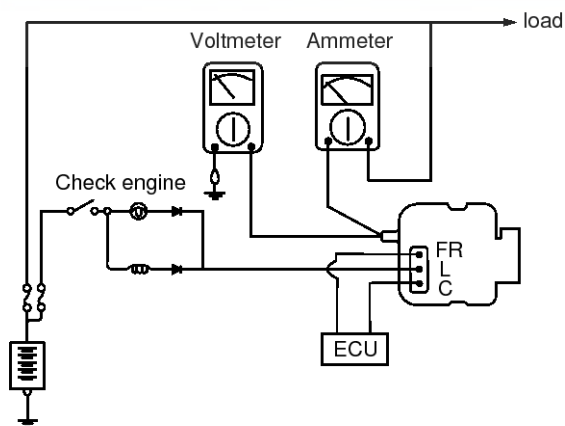
EE-23

Regulated Voltage Test

The purpose of this test is to check that the electronic voltage regulator controls voltage correctly.

Preparation

1. Prior to the test, check the following items and correct if necessary.
Check that the battery installed on the vehicle is fully charged. The battery checking method is described in the section "Battery".
Check the alternator drive belt tension. The belt tension check method is described in the section "Inspect drive belt".
2. Turn ignition switch to "OFF".
3. Disconnect the battery ground cable.
4. Connect a digital voltmeter between the "B" terminal of the alternator and ground. Connect the (+) lead of the voltmeter to the "B" terminal of the alternator. Connect the (-) lead to good ground or the battery (-) terminal.
5. Disconnect the alternator output wire from the alternator "B" terminal.
6. Connect a DC ammeter (0 to 150A) in series between the "B" terminal and the disconnected output wire.
Connect the (-) lead wire of the ammeter to the disconnected output wire.
7. Attach the engine tachometer and connect the battery ground cable.



SVGE20100L

Test

1. Turn on the ignition switch and check to see that the voltmeter indicates the following value.

Voltage: Battery voltage

If it reads 0V, there is an open circuit in the wire between the alternator "B" terminal and the battery and the battery (-) terminal.

2. Start the engine. Keep all lights and accessories off.
3. Run the engine at a speed of about 2,500 rpm and read the voltmeter when the alternator output current drops to 10A or less

Result

1. If the voltmeter reading agrees with the value listed in the regulating voltage table below, the voltage regulator is functioning correctly. If the reading is other than the standard value, the voltage regulator or the alternator is faulty.

Regulating voltage table

Voltage regulator ambient temperature [°C (°F)]	Regulating voltage (V)	
	2.4L	3.5L
-30 (-22)	14.2 ~ 15.3	13.9 ~ 14.8
25 (77)	14.2 ~ 14.8	13.7 ~ 14.7
135 (284)	13.3 ~ 14.8	13.2 ~ 14.0

2. Upon completion of the test, reduce the engine speed to idle, and turn off the ignition switch.
3. Disconnect the battery ground cable.
4. Remove the voltmeter and ammeter and the engine tachometer.
5. Connect the alternator output wire to the alternator "B" terminal.
6. Connect the battery ground cable.

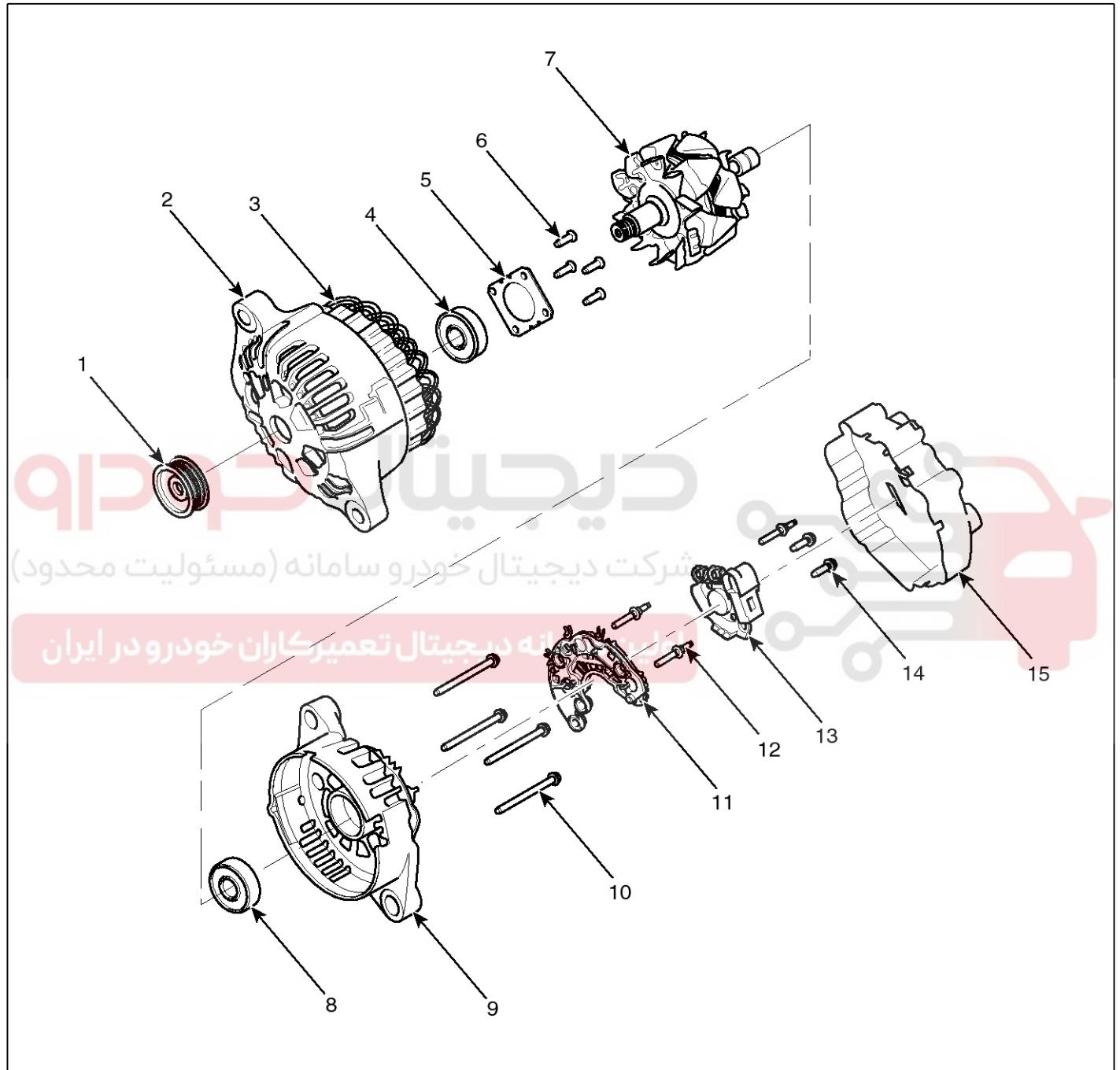
EE-24

Engine Electrical System

Alternator

Components

[2.4L]



SVGEE0107D

- 1. Pulley
- 2. Front housing
- 3. Stator
- 4. Front bearing
- 5. Bearing retainer

- 6. Bearing retainer bolt
- 7. Rotor
- 8. Rear bearing
- 9. Rear housing
- 10. Through bolt

- 11. Rectifier
- 12. Rectifier bolt
- 13. Regulator assembly
- 14. Regulator bolt
- 15. Rear cover

Charging System

EE-25

Removal and installation

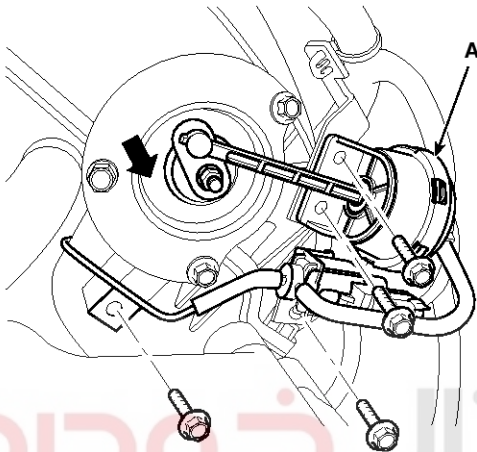
[2.4L]

1. Disconnect the battery negative terminal first, then the positive terminal.

Tightening torque :

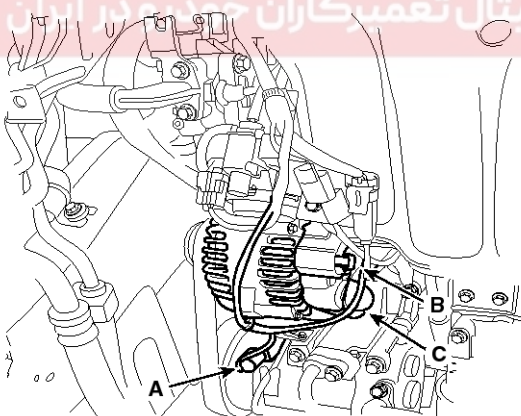
7.8 ~ 9.8N.m (0.8 ~ 1.0kgf.m, 5.8 ~ 7.2lb-ft)

2. Remove the VIS actuator/valve (A) from the intake manifold.



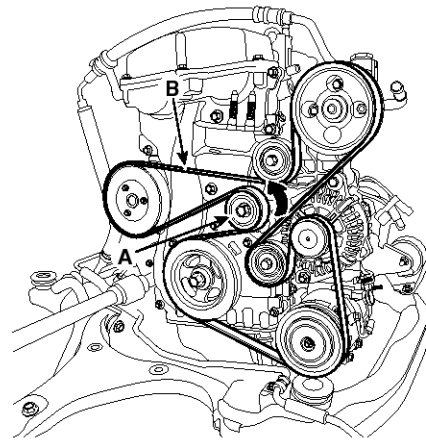
SYFEE0002N

3. Disconnect the A/C compressor switch connector (A), the alternator connector (B), and the cable (C) from alternator "B" terminal.



SVGEE0109D

4. Remove the drive belt (B) after turning the drive belt tensioner (A) counterclockwise.

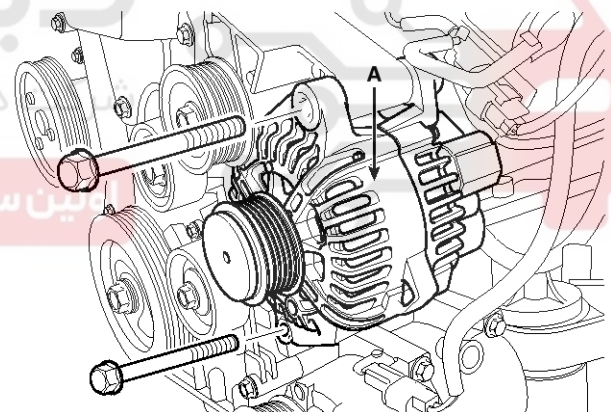


SVGEM0153D

5. Pull out the through bolt and then remove the alternator (A).

Tightening torque :

49.0 ~ 63.7N.m (5.0 ~ 6.5kgf.m, 36.2 ~ 47.0lb-ft)



SYFEE0003N

6. Installation is the reverse order of removal.

EE-26

Engine Electrical System

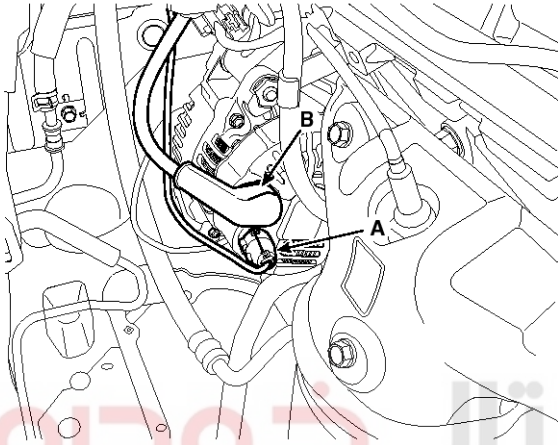
[3.5L]

1. Disconnect the battery negative terminal first, then the positive terminal.

Tightening torque :

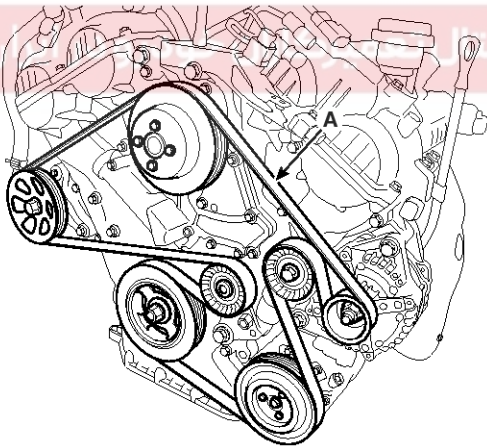
7.8 ~ 9.8N.m (0.8 ~ 1.0kgf.m, 5.8 ~ 7.2lb-ft)

2. Remove the engine cover.
3. Disconnect the alternator connector (A) and the cable (B) from the 'B' terminal.



SCME20001L

4. To release the tension, turn the drive belt tensioner counterclockwise then remove the drive belt (A).

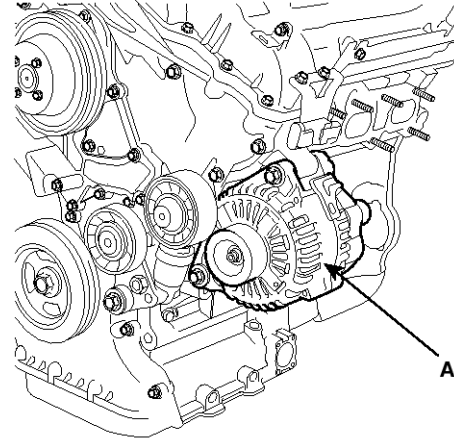


SCMM20007L

5. Remove the alternator (A).

Tightening torque :

26.5 ~ 33.3 N.m (2.7 ~ 3.4 kgf.m, 19.5 ~ 24.6 lb-ft)



KDRF104A

6. Installation is reverse order of removal.

NOTICE

Do not disassemble the Lambda 3.5L engine alternator. The alternator inner parts will not be supplied. A faulty occurs, inspect charging system first. If necessary, replace the alternator assembly.

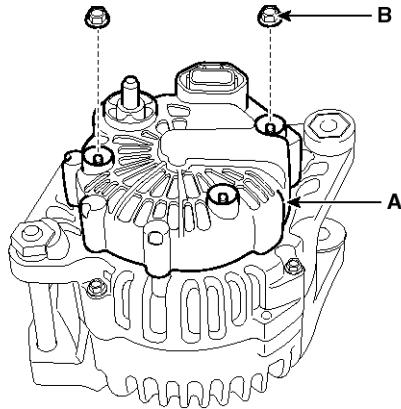
Charging System

EE-27

Disassembly

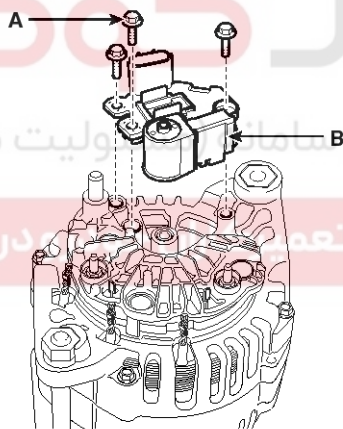
[2.4L]

1. Loosen the nuts (B) and then remove the cover (A).



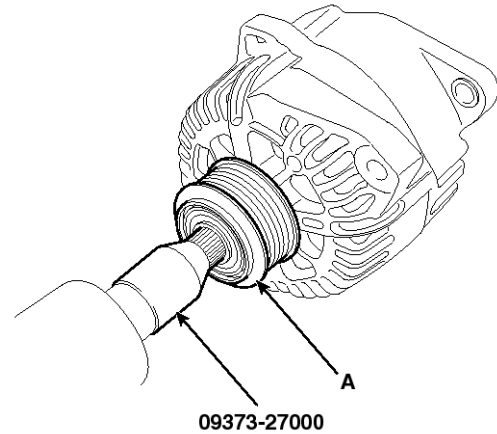
SYFEE0201N

2. Loosen the mounting bolts (A) and remove the regulator assembly (B).



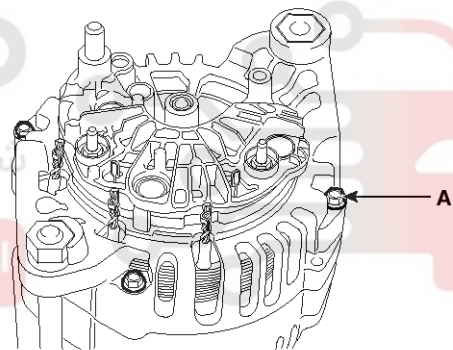
SYFEE0001N

3. Using the SST (09373-27000), remove the pulley (A).



SSLEE0102D

4. Loosen the 4 through bolts (A) and then remove the rear housing with the rectifier by loosening the clamping wires.

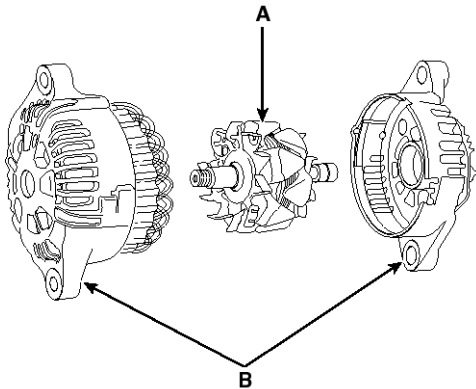


SYFEE0110D

EE-28

Engine Electrical System

5. Disconnect the rotor (A) and the housing (B).



SVGE10021D

6. Reassembly is the reverse order of disassembly.

[3.5L]

NOTICE

Do not disassemble the alternator.

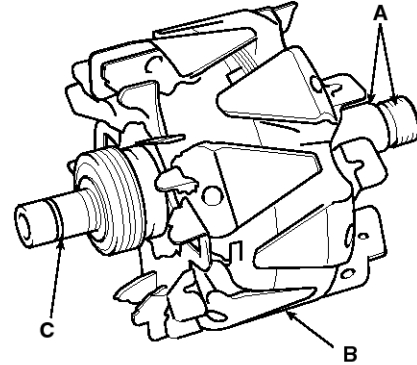
Replace it if necessary.

Inspection

[2.4L]

Inspect Rotor

1. Check that there is continuity between the slip rings (C).

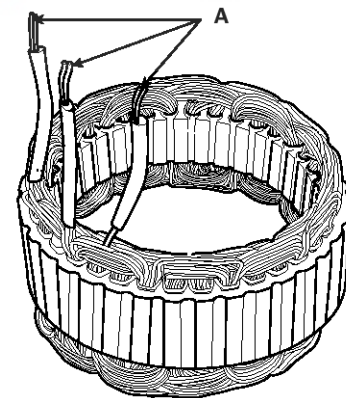


STDEE9109D

2. Check that there is no continuity between the slip rings and the rotor (B) or rotor shaft (A).
3. If the rotor fails either continuity check, replace the alternator.

Inspect Stator

1. Check that there is continuity between each pair of leads (A).



STDEE9110D

2. Check that there is no continuity between each lead and the coil core.
3. If the coil fails either continuity check, replace the alternator.

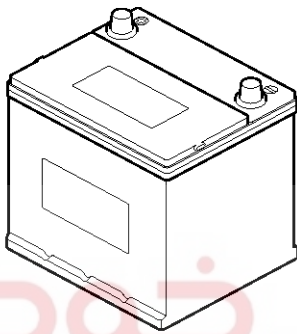
Charging System

EE-29

Battery

Description

1. The maintenance-free battery is, as the name implies, totally maintenance free and has no removable battery cell caps.
2. Water never needs to be added to the maintenance-free battery.
3. The battery is completely sealed, except for small vent holes in the cover.



دیجیتال خودرو
شرکت دیجیتال خودرو سامانه (مسئولیت محدود)
SVGE10013D



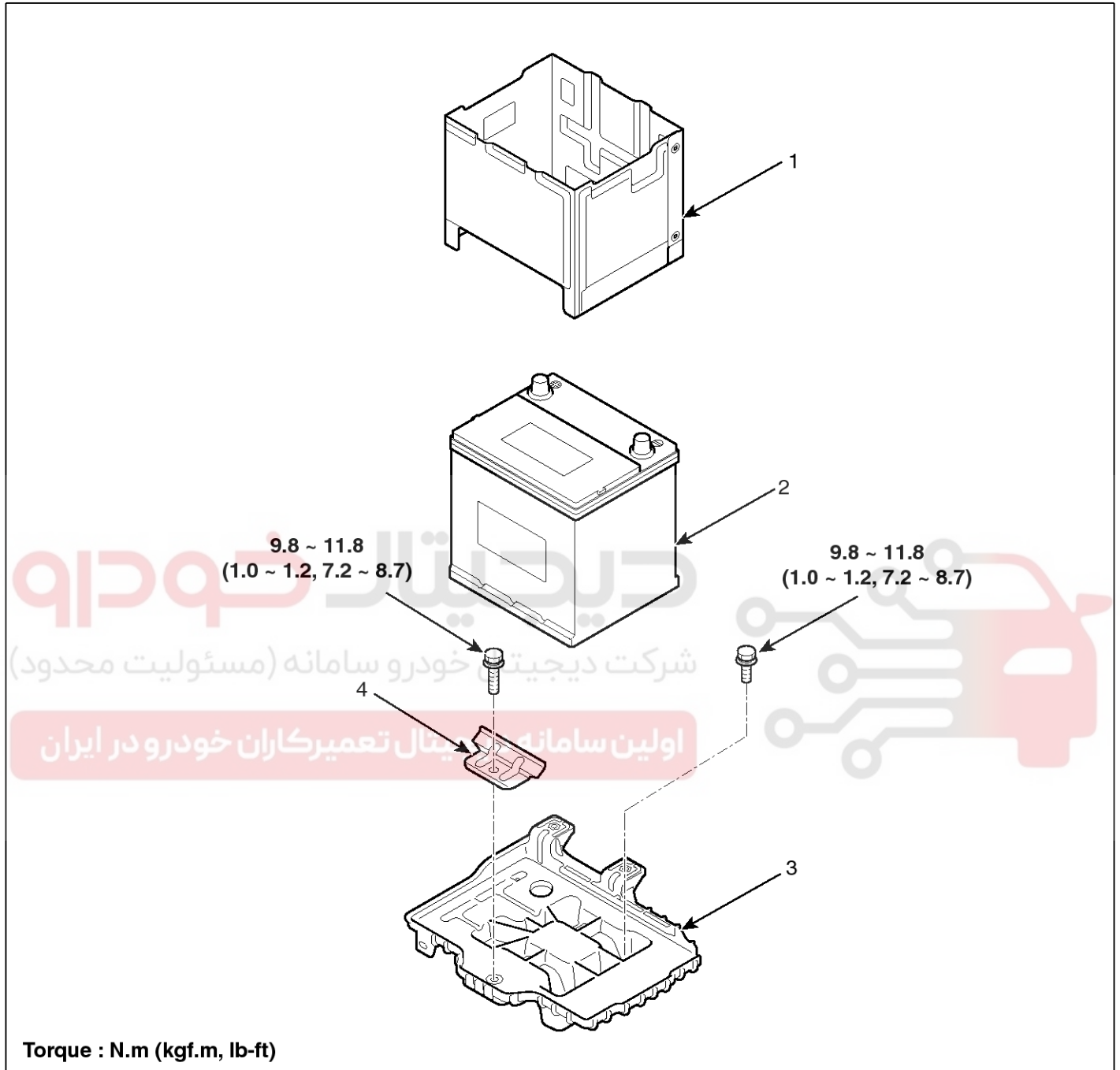
NOTICE

اولین سامانه دیجیتال خودرو را از بازار دیجیتال خودرو
After disconnecting then reconnecting the battery negative cable, reset some parts that require the reset procedures. (Refer to BE group . General Information)

EE-30

Engine Electrical System

Components



SVGE10002L

- 1. Battery insulation pad
- 2. Battery

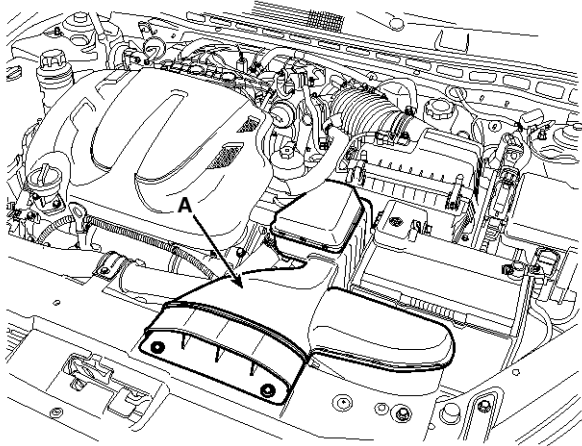
- 3. Battery tray
- 4. Battery mounting bracket

Charging System

EE-31

Removal and Installation

1. Remove the air duct (A).



SVGE10014D

2. Remove the battery.

- 1) Disconnect the battery negative terminal (A).

Tightening torque :

7.8 ~ 9.8 N.m (0.8 ~ 1.0 kgf.m, 5.8 ~ 7.2 lb-ft)

- 2) Disconnect the battery positive terminal (B).

Tightening torque :

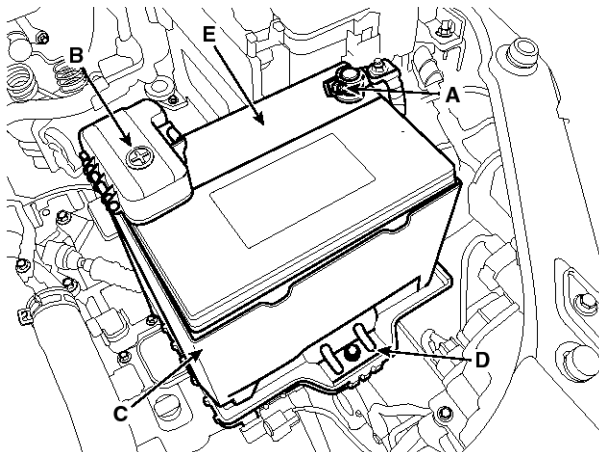
7.8 ~ 9.8 N.m (0.8 ~ 1.0 kgf.m, 5.8 ~ 7.2 lb-ft)

- 3) Remove the battery insulation pad (C).

- 4) Remove the battery mounting bracket (D), and the battery (E).

Tightening torque :

Bracket bolt: 9.8 ~ 11.8 N.m (1.0 ~ 1.2 kgf.m, 7.2 ~ 8.7 lb-ft)

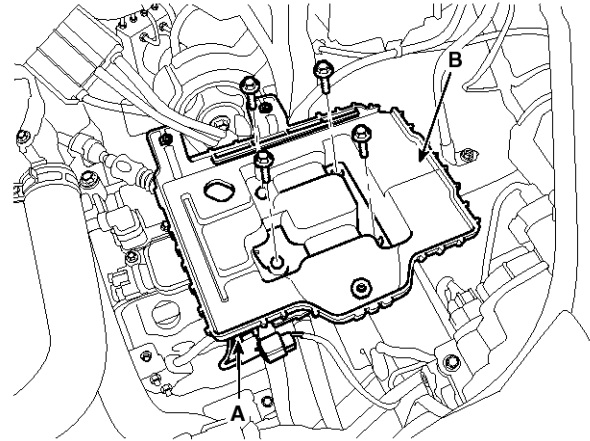


SVGE10015L

3. Remove the battery tray (B) after disconnecting the front connector mounting clip (A).

Tightening torque :

9.8 ~ 11.8N.m (1.0 ~ 1.2kgf.m, 7.2 ~ 8.7lb-ft)



SVG10004D

4. Installation is the reverse order of removal.

⚠ CAUTION

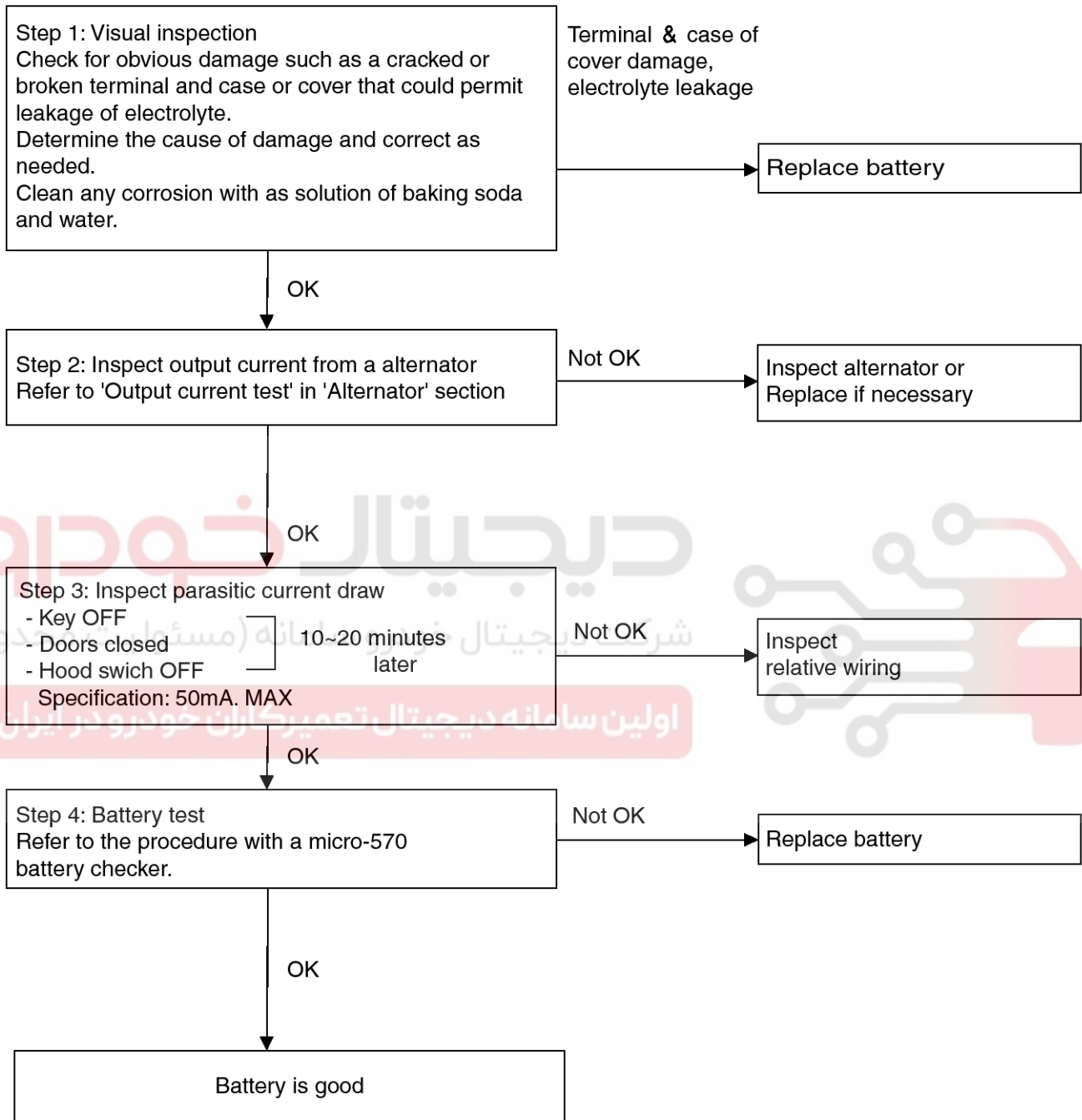
When installing the battery, fix the mounting bracket on the tray correctly.

EE-32

Engine Electrical System

Inspection

Battery Diagnostic Flow



SXMEE9150L

Charging System

EE-33

Vehicle parasitic current inspection

1. Turn the all electric devices OFF, and then turn the ignition switch OFF.
2. Close all doors except the engine hood, and then lock all doors.
 - 1) Disconnect the hood switch connector.
 - 2) Close the trunk lid.
 - 3) Close the doors or remove the door switches.
3. Wait a few minutes until the vehicle's electrical systems go to sleep mode.

NOTICE

For an accurate measurement of a vehicle parasitic current, all electrical systems should go to sleep mode. (It takes at least one hour or at most one day.) However, an approximate vehicle parasitic current can be measured after 10~20 minutes.

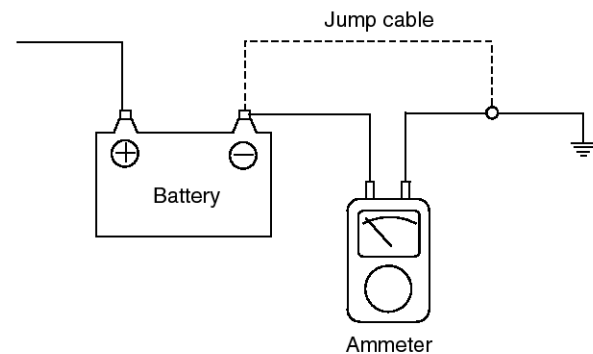
4. Connect an ammeter in series between the battery (-) terminal and the ground cable, and then disconnect the clamp from the battery (-) terminal slowly.

CAUTION

Be careful that the lead wires of an ammeter do not come off from the battery (-) terminal and the ground cable to prevent the battery from being reset. In case the battery is reset, connect the battery cable again, and then start the engine or turn the ignition switch ON for more than 10 sec. Repeat the procedure from No. 1.

To prevent the battery from being reset during the inspection,

- a. Connect a jump cable between the battery (-) terminal and the ground cable.
- b. Disconnect the ground cable from the battery (-) terminal.
- c. Connect an ammeter between the battery (-) terminal and the ground cable.
- d. After disconnecting the jump cable, read the current value of the ammeter.



SVQEE0002L

5. Read the current value of the ammeter.
 - If the parasitic current is over the limit value, search for abnormal circuit by removing a fuse one by one and checking the parasitic current.
 - Reconnect the suspected parasitic current draw circuit fuse only and search for suspected unit by removing a component connected with the circuit one by one until the parasitic draw drops below limit value.

Limit value (after 10~20 min.) : Below 50mA

EE-34

Engine Electrical System

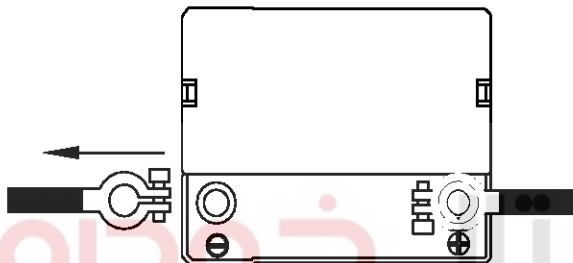
Cleaning

1. Make sure the ignition switch and all accessories are in the OFF position.
2. Disconnect the battery cables (negative first).
3. Remove the battery from the vehicle.

⚠ CAUTION

Care should be taken in the event the battery case is cracked or leaking, to protect your skin from the electrolyte.

Heavy rubber gloves (not the household type) should be worn when removing the battery.



EBJD008B

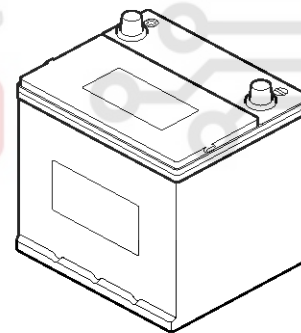
4. Inspect the battery tray for damage caused by the loss of electrolyte. If acid damage is present, it will be necessary to clean the area with a solution of clean warm water and baking soda. Scrub the area with a stiff brush and wipe off with a cloth moistened with baking soda and water.
5. Clean the top of the battery with the same solution as described above.
6. Inspect the battery case and cover for cracks. If cracks are present, the battery must be replaced.

7. Clean the battery posts with a suitable battery post tool.
8. Clean the inside surface of the terminal clamps with a suitable battery cleaning tool. Replace damaged or frayed cables and broken terminal clamps.
9. Install the battery in the vehicle.
10. Connect the cable terminals to the battery post, making sure tops of the terminals are flush with the tops of the posts.
11. Tighten the terminal nuts securely.
12. Coat all connections with light mineral grease after tightening.

⚠ CAUTION

When batteries are being charged, an explosive gas forms beneath the cover of each cell. Do not smoke near batteries being charged or which have recently been charged. Do not break live circuit at the terminals of batteries being charged.

A spark will occur when the circuit is broken. Keep open flames away from battery.



SVGE10013D

Starting System

EE-35

Starting System

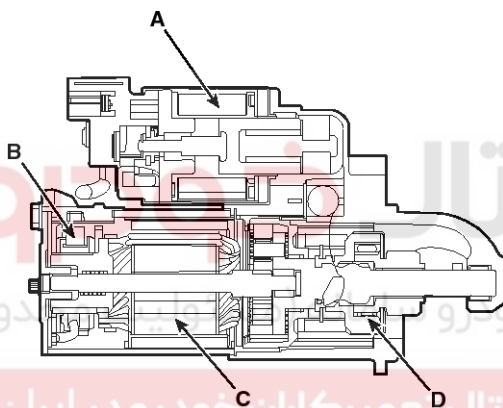
Description

The starting system includes the battery, starter, solenoid switch, ignition switch, inhibitor switch (A/T), ignition lock switch, connection wires and the battery cable.

When the ignition key is turned to the start position, current flows and energizes the starter motor's solenoid coil.

The solenoid plunger and clutch shift lever are activated, and the clutch pinion engages the ring gear.

The contacts close and the starter motor cranks. In order to prevent damage caused by excessive rotation of the starter armature when the engine starts, the clutch pinion gear overruns.



SVGE20002D

- A. Solenoid
- B. Brush
- C. Armature
- D. Overrun clutch

Troubleshooting Starter Circuit

NOTICE

The battery must be in good condition and fully charged.

1. Disconnect the injector connectors.
2. With the shift lever in N or P (A/T) or clutch pedal pressed (M/T), turn the ignition switch to "START".

If the starter normally cranks the engine, starting system is OK. If the starter will not crank the engine at all, go to next step.

If it won't disengage from the ring gear when you release key, check for the following until you find the cause.

- Solenoid plunger and switch malfunction.
 - Dirty pinion gear or damaged overrunning clutch.
3. Check the battery condition. Check electrical connections at the battery, battery negative cable connected to the body, engine ground cables, and the starter for looseness and corrosion. Then try starting the engine again.

If the starter cranks the engine normally, repairing the loose connection repaired the problem. The starting system is now OK.

If the starter still does not crank the engine, go to next step.

4. Disconnect the connector from the S-terminal of solenoid. Connect a jumper wire from the B-terminal of solenoid to the S-terminal of solenoid.

If the starter cranks the engine, go to next step.

If the starter still does not crank the engine, remove the starter, and repair or replace as necessary.

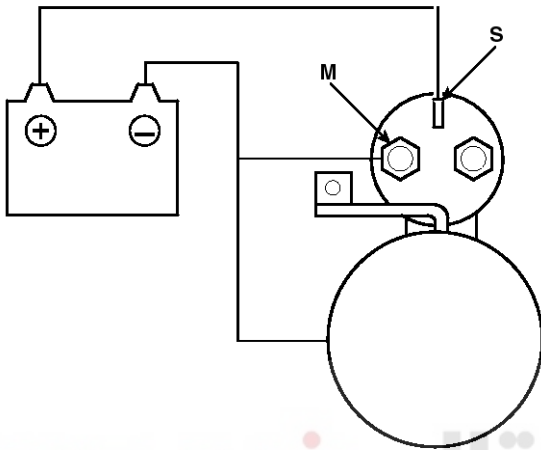
5. Check the following items in the order listed until you find the open circuit.
 - Check the wire and connectors between the driver's under-dash fuse/relay box and the ignition switch, and between the driver's under-dash fuse/relay box and the starter.
 - Check the ignition switch (Refer to ignition system in BE Group).
 - Check the transaxle range switch connector or ignition lock switch connector.
 - Inspect the starter relay.

EE-36

Engine Electrical System

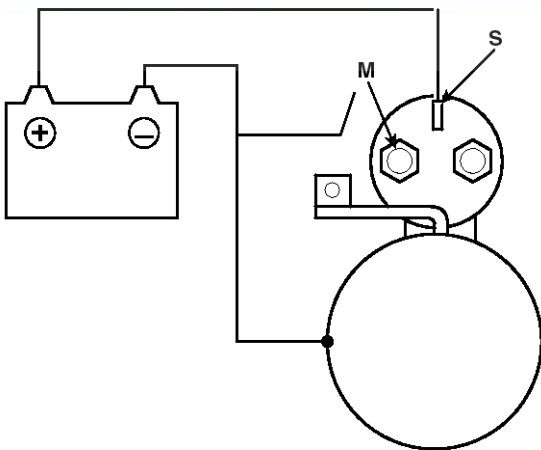
Starter Solenoid Test

1. Disconnect the field coil wire from the M-terminal of solenoid switch.
2. Connect the battery as shown. If the starter pinion pops out (engages), it is working properly. To avoid damaging the starter, do not leave the battery connected for more than 10 seconds.



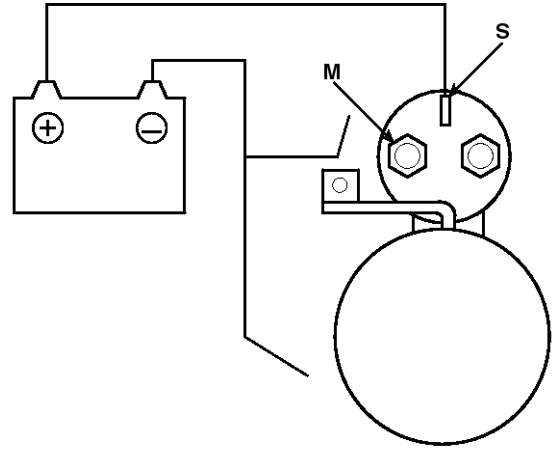
KBSE203D

3. Disconnect the battery from the M terminal.
If the pinion does not retract, the hold-in coil is working properly. To avoid damaging the starter, do not leave the battery connected for more than 10 seconds.



KBSE203E

4. Disconnect the battery also from the body. If the pinion retracts immediately, it is working properly. To avoid damaging the starter, do not leave the battery connected for more than 10 seconds.



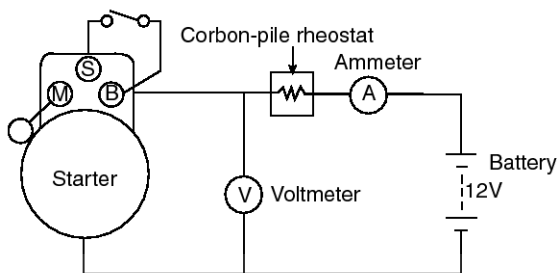
KBSE203F

Starting System

EE-37

Free Running Test

1. Place the starter motor in a vise equipped with soft jaws and connect a fully-charged 12-volt battery to starter motor as follows.
2. Connect a test ammeter (50-ampere scale) and carbon pile rheostats as shown in the illustration.
3. Connect a voltmeter (15-volt scale) across starter motor.



4. Rotate carbon pile to the off position.
5. Connect the battery cable from battery's negative post to the starter motor body.
6. Adjust until battery voltage shown on the voltmeter reads 11.5volts.
7. Confirm that the maximum amperage is within the specifications and that the starter motor turns smoothly and freely.

Max. Current : 90A

Min. Speed : 2,600 rpm



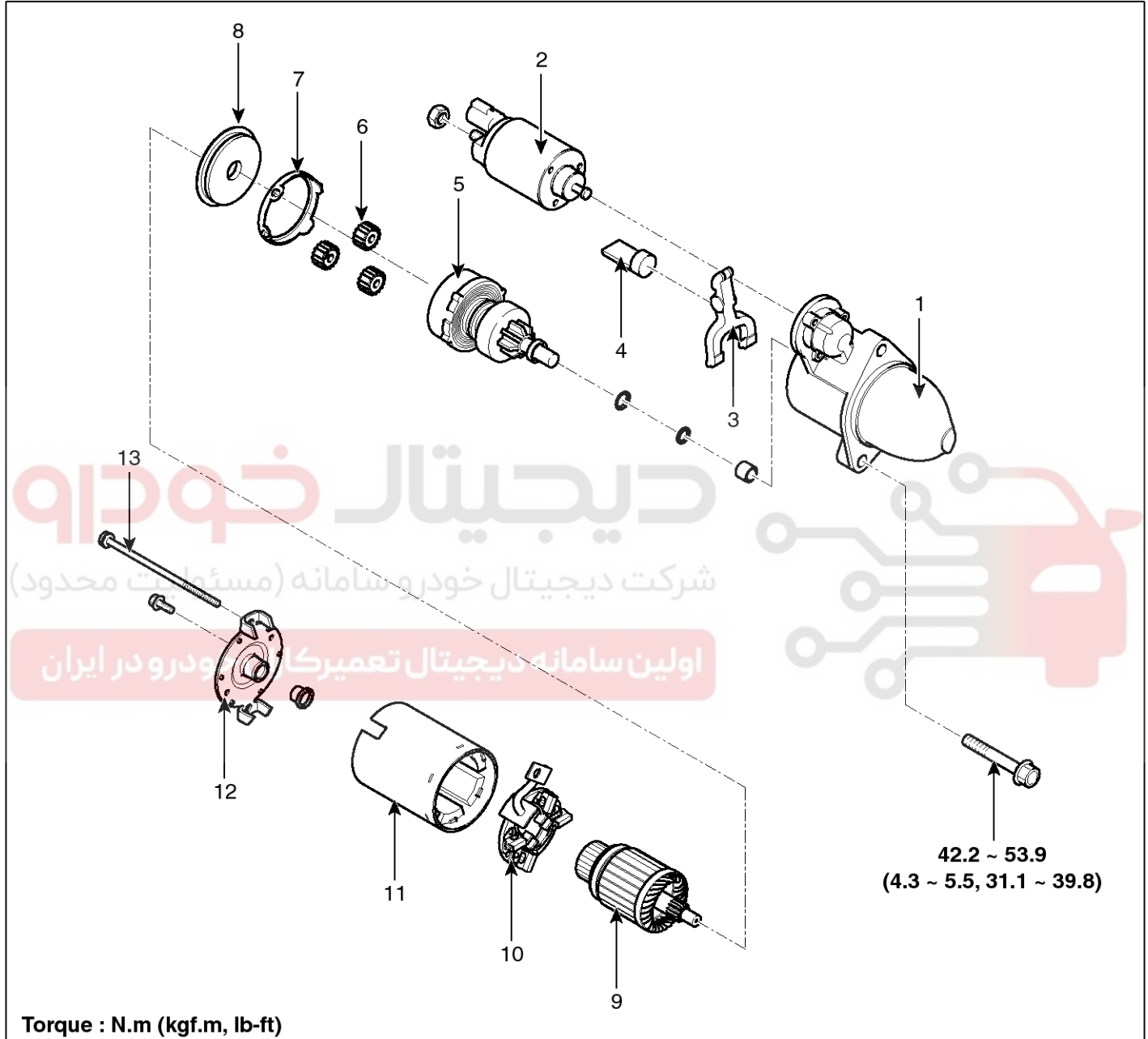
EE-38

Engine Electrical System

Starter

Components

[2.4L]



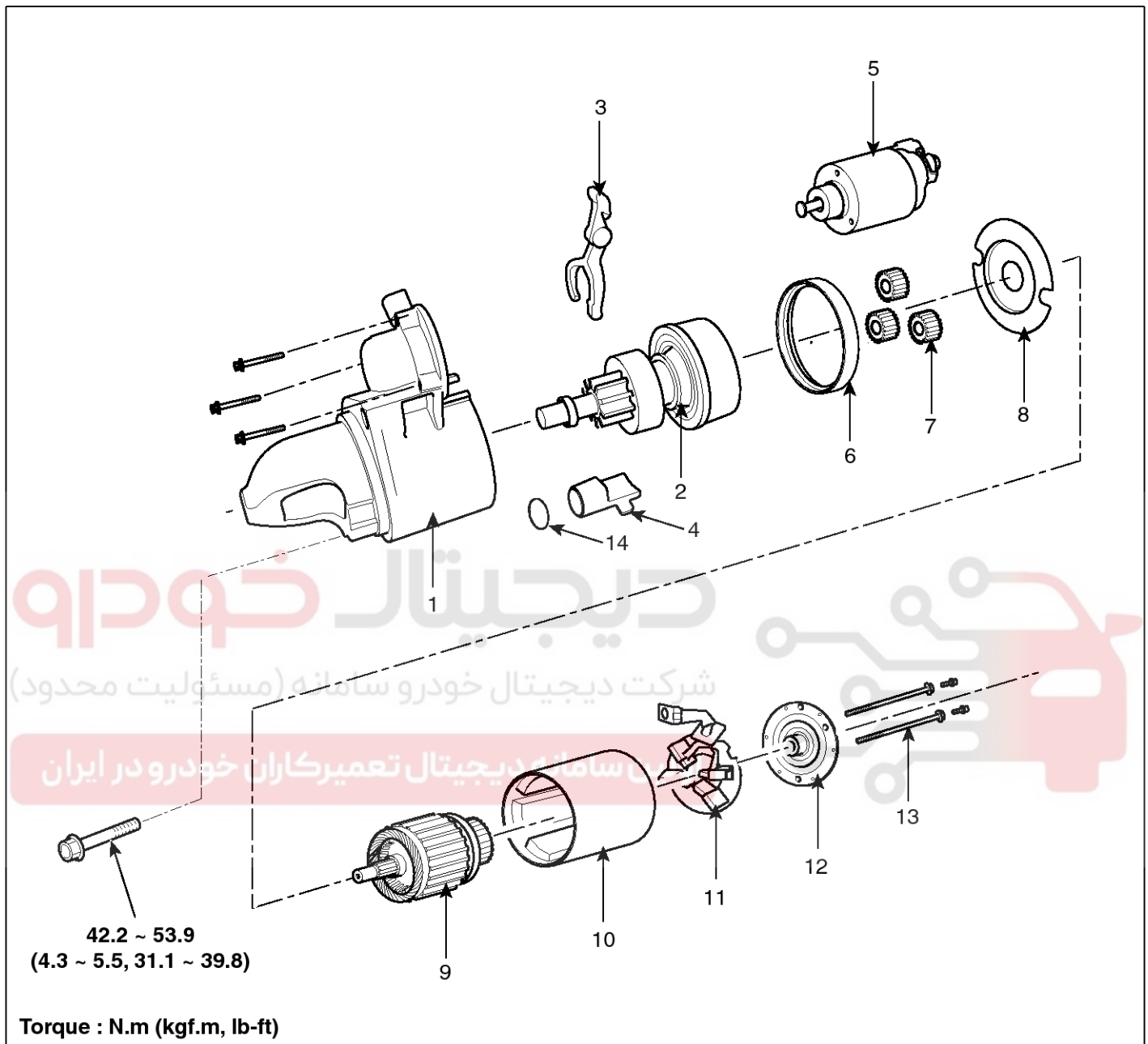
SVGE10022L

- | | |
|------------------------------|---------------------------|
| 1. Front housing | 8. Shield |
| 2. Starter solenoid assembly | 9. Armature assembly |
| 3. Lever | 10. Brush holder assembly |
| 4. Lever packing | 11. Yoke assembly |
| 5. Planet shaft assembly | 12. Rear housing |
| 6. Planetary gear assembly | 13. Through bolt |
| 7. Packing | |

Starting System

EE-39

[3.5L]



SVGE10018L

- | | |
|-------------------------------|---------------------------|
| 1. Front housing | 8. Shield |
| 2. Planet gear shaft assembly | 9. Armature assembly |
| 3. Lever | 10. York assembly |
| 4. Lever packing | 11. Brush holder assembly |
| 5. Starter solenoid assembly | 12. Rear housing |
| 6. Packing | 13. Through bolt |
| 7. Planet gear | 14. Lever plate |

EE-40

Engine Electrical System

Removal and Installation

[2.4L]

1. Disconnect the battery negative cable.

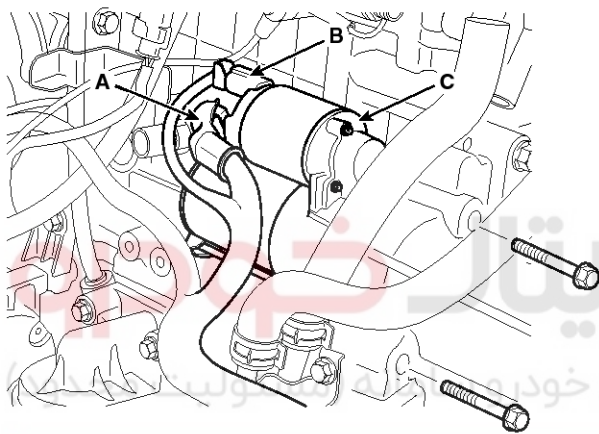
Tightening torque :

7.8 ~ 9.8 N.m (0.8 ~ 1.0 kgf.m, 5.8 ~ 7.2 lb-ft)

2. Disconnect the starter cable (A) from the B terminal on the solenoid, then disconnect the connector (B) from the S terminal.
3. Remove the 2 bolts holding the starter, then remove the starter (C).

Tightening torque :

42.2 ~ 53.9N.m (4.3 ~ 5.5kgf.m, 31.1 ~ 39.8lb-ft)



SYFEE0004N

4. Installation is the reverse of removal.

[3.5L]

1. Disconnect the battery negative terminal.

Tightening torque :

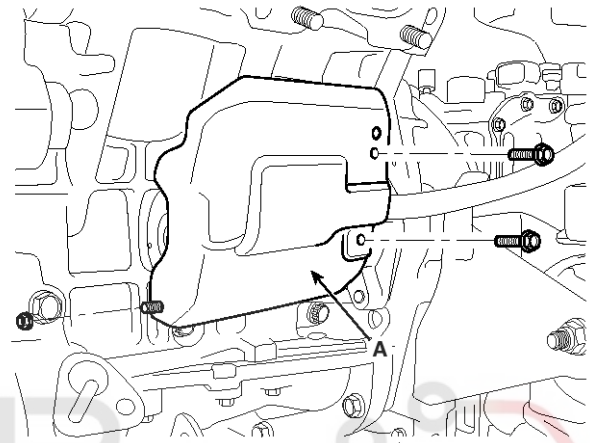
7.8 ~ 9.8 N.m (0.8 ~ 1.0 kgf.m, 5.8 ~ 7.2 lb-ft)

2. Remove the starter cover (A).

Tightening torque :

Bolts: 8.8 ~ 13.7 N.m (0.9 ~ 1.4 kgf.m, 6.5 ~ 10.1 lb-ft)

Nut: 3.9 ~ 5.9 N.m (0.4 ~ 0.6 kgf.m, 2.9 ~ 4.3 lb-ft)

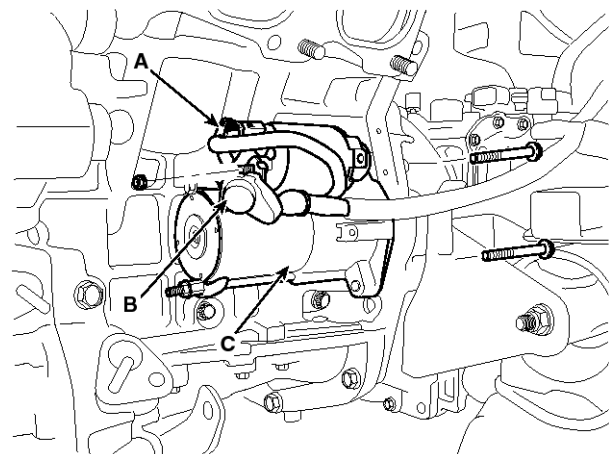


SVGE20003D

3. Disconnect the starter cable (A) from the B terminal on the solenoid, then disconnect the connector (B) from the S terminal.
4. Remove the 2 bolts holding the starter, then remove the starter (C).

Tightening torque :

42.2 ~ 53.9N.m (4.3 ~ 5.5kgf.m, 31.1 ~ 39.8lb-ft)



SVGE20004D

5. Installation is the reverse of removal.

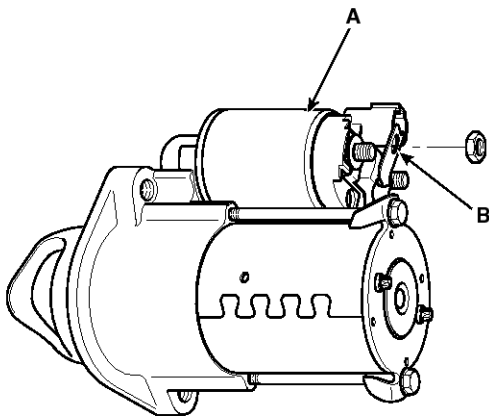
Starting System

EE-41

Disassembly

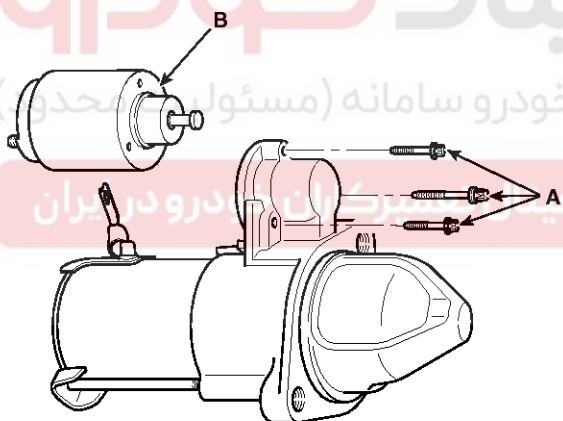
[2.4L]

1. Disconnect the M-terminal (B) on the starter solenoid assembly (A).



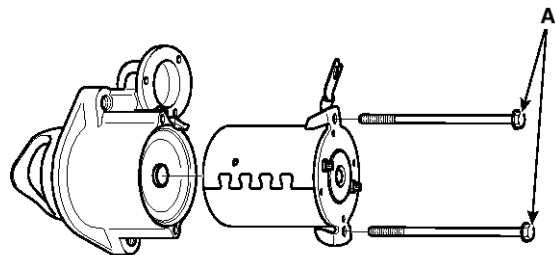
SYFEE0005N

2. After loosening the screws (A), detach the starter solenoid assembly (B).



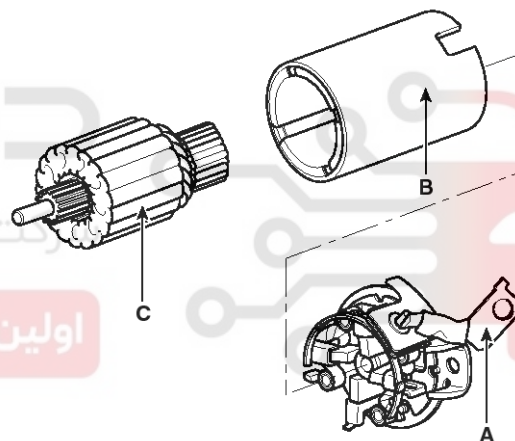
SYFEE0006N

3. Loosen the through bolts (A).



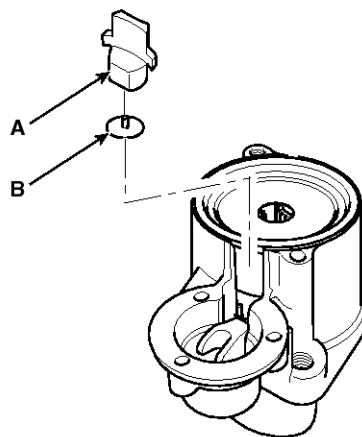
SYFEE0007N

4. Remove the brush holder assembly (A), yoke (b) and armature (C).



SYFEE0008N

5. Remove the lever plate (B) and lever packing (A).

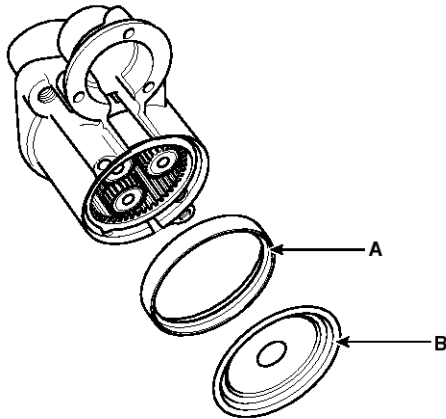


SYFEE0009N

EE-42

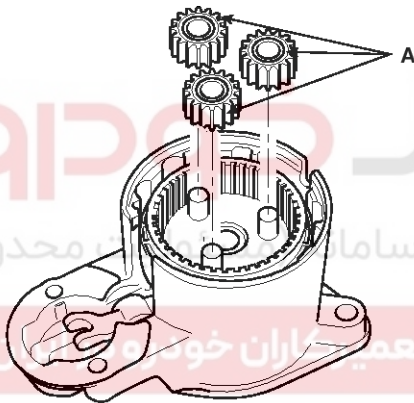
Engine Electrical System

6. Remove the packing (A) and shield (B).



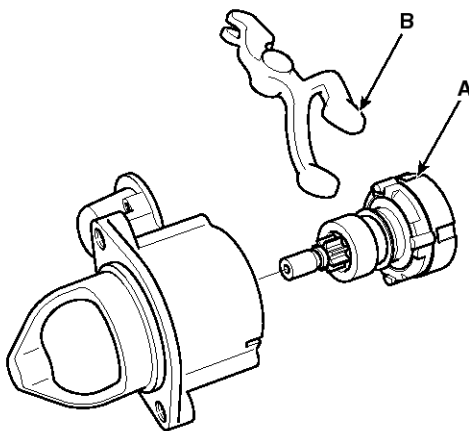
SYFEE0010N

7. Disconnect the planet gear (A).



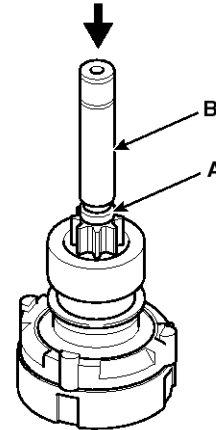
EBKD011I

8. Disconnect the planet shaft assembly (A) and lever (B).



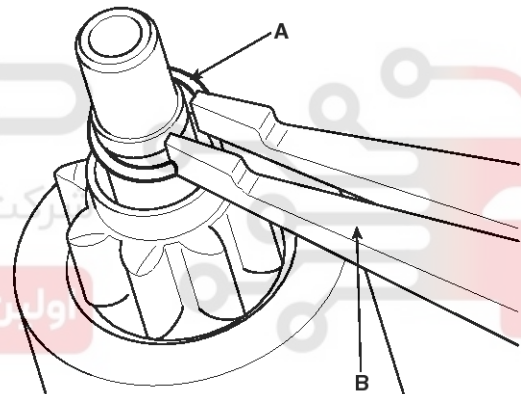
SYFEE0011N

9. Press the stopper (A) using a socket (B).



SYFEE0012N

10. After removing the stop ring (A) using stop ring pliers (B).

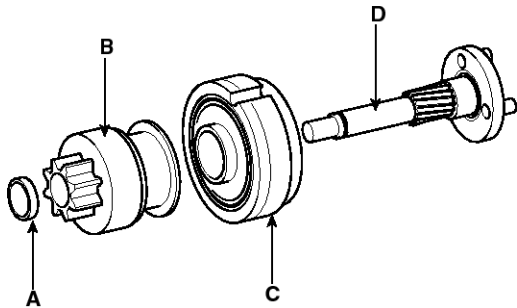


EBKD011L

Starting System

EE-43

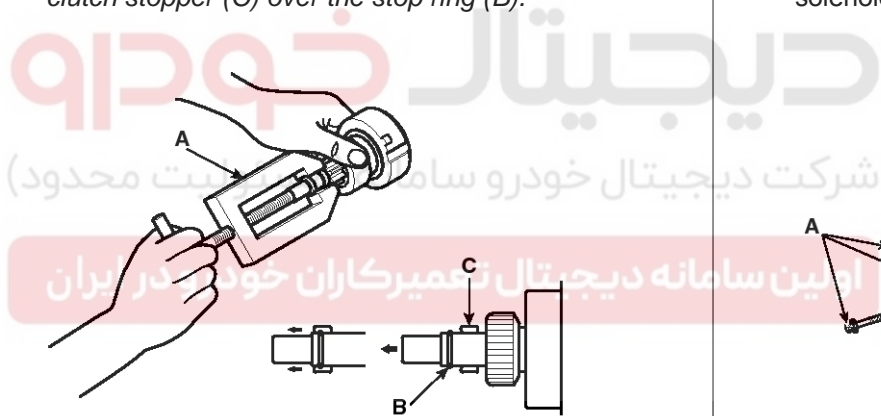
11. Disconnect the stopper (A), overrunning clutch (B), internal gear (C) and planet shaft (D).



EBKD011M

NOTICE

Using a suitable pulling tool (A), pull the overrunning clutch stopper (C) over the stop ring (B).

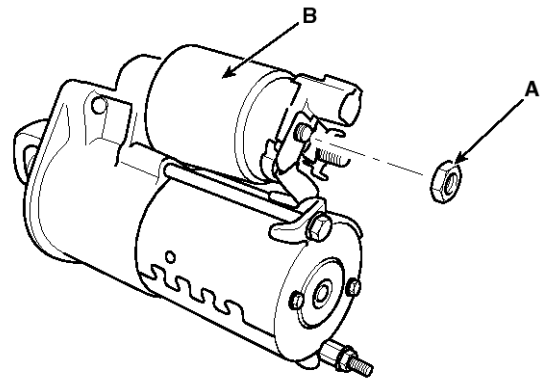


EBKD011O

12. Reassembly is the reverse of disassembly.

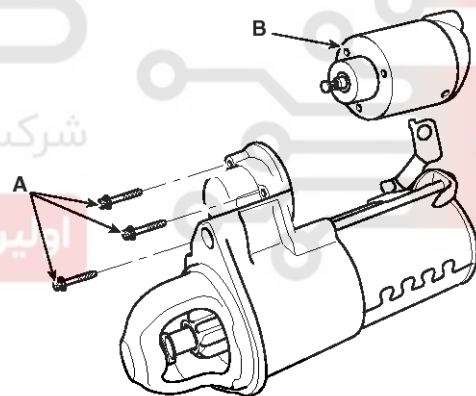
[3.5L]

1. Disconnect the M-terminal (A) on the starter solenoid assembly (B).



SVGE20006D

2. After loosening the 3 screws (A), detach the starter solenoid assembly (B).

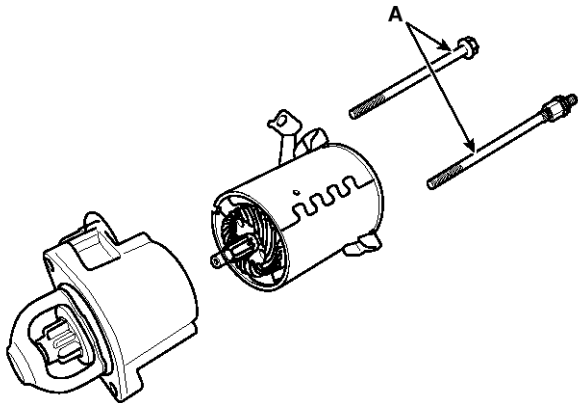


SVGE20010D

EE-44

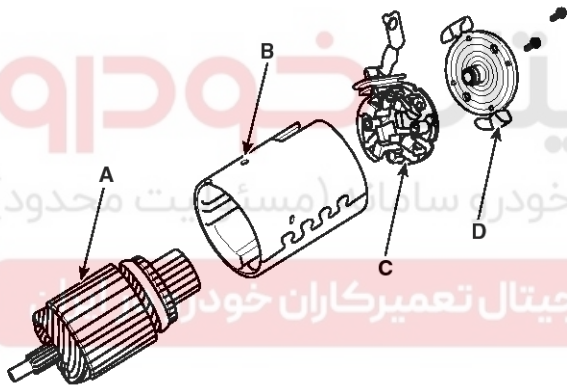
Engine Electrical System

3. Loosen the through bolts (A).



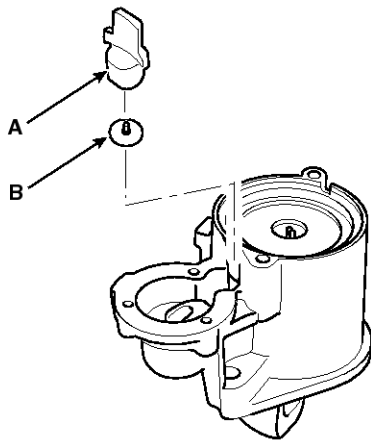
SVGE20007D

4. Remove the brush holder assembly (C), the yoke (B), the armature (C) and the rear housing (D).



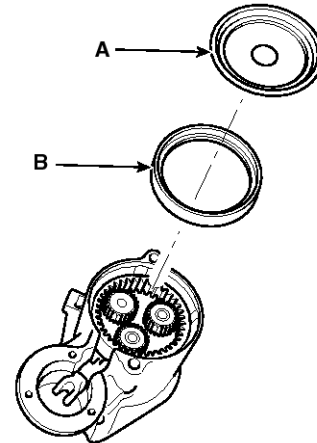
SVGE20011D

5. Remove the lever packing (A) and the lever plate (B).



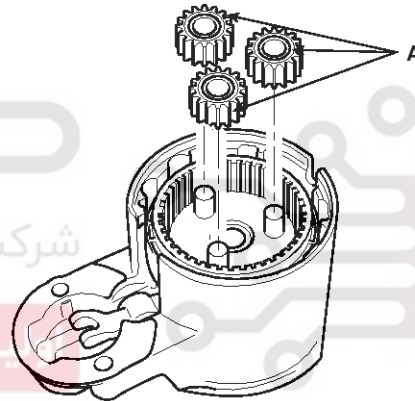
SVGE20008D

6. Remove the shield (A) and the packing (B).



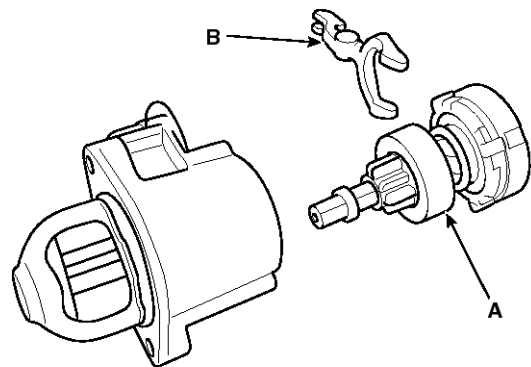
SVGE20009D

7. Remove the planet gear (A).



SBHEE8015D

8. Remove the planet shaft assembly (A) and the lever (B).

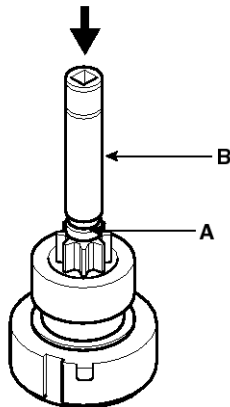


SVGE20005D

Starting System

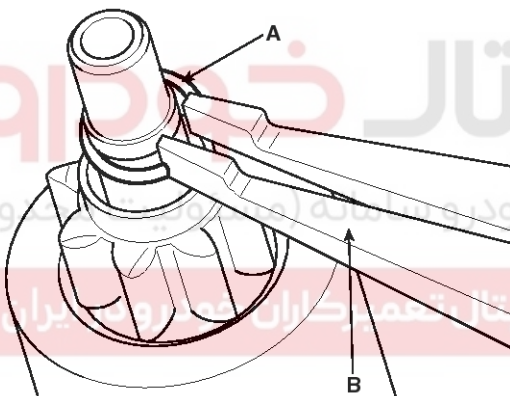
EE-45

9. Press the stopper (A) using a socket (B).



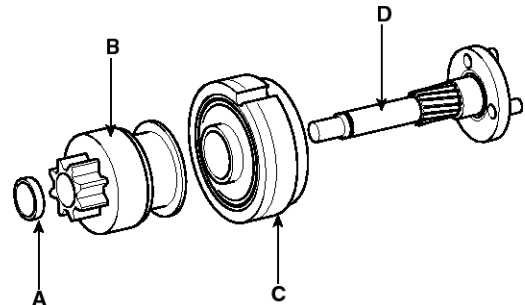
EBKD011K

10. Remove the stop ring (A) using the stop ring pliers (B).



EBKD011L

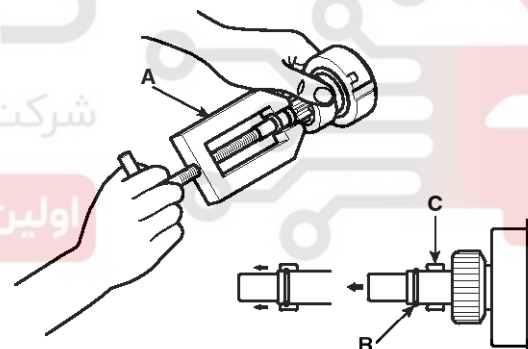
11. Remove the stopper (A), overrunning clutch (B), internal gear (C) and planet shaft (D).



EBKD011M

NOTICE

Using a suitable pulling tool (A), pull the overrunning clutch stop ring (B) over the stopper (C).



EBKD011O

12. Reassembly is the reverse of disassembly.

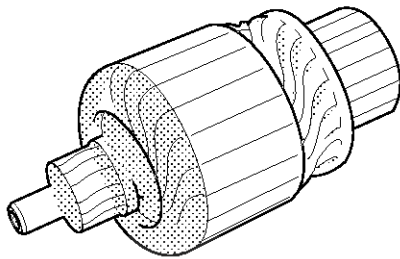
EE-46

Engine Electrical System

Inspection

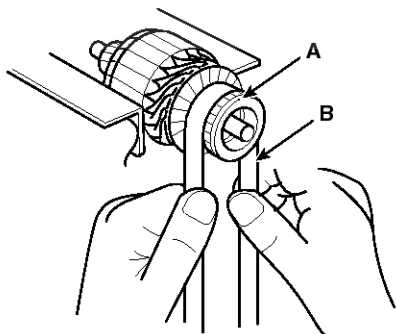
Armature Inspection And Test

1. Remove the starter.
2. Disassemble the starter as shown at the beginning of this procedure.
3. Inspect the armature for wear or damage from contact with the permanent magnet. If there is wear or damage, replace the armature.



EBKD012A

4. Check the commutator (A) surface. If the surface is dirty or burnt, resurface with emery cloth or a lathe within the following specifications, or recondition with #500 or #600 sandpaper (B).



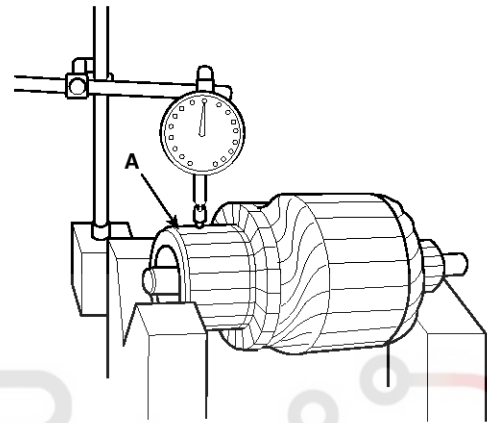
EBKD012B

5. Measure the commutator (A) runout.
 - If the commutator runout is within the service limit, check the commutator for carbon dust or brass chips between the segments.
 - If the commutator run out is not within the service limit, replace the armature.

Commutator runout

Standard (New): 0.05mm (0.0019in.) max

Service limit: 0.08mm (0.0031in.)



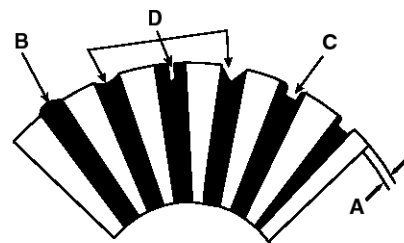
EBKD012D

6. Check the mica depth (A). If the mica is too high (B), undercut the mica with a hacksaw blade to the proper depth. Cut away all the mica (C) between the commutator segments. The undercut should not be too shallow, too narrow, or v-shaped (D).

Commutator mica depth

Standard (New) : 0.8 mm (0.0314in.)

Limit : 0.2mm (0.0079 in.)

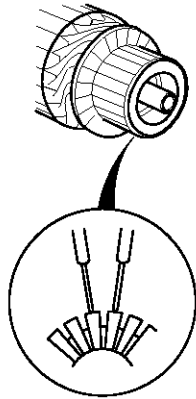


EBKD012E

Starting System

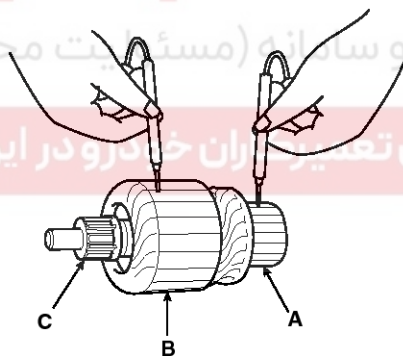
EE-47

7. Check for continuity between the segments of the commutator. If an open circuit exists between any segments, replace the armature.



EBKD012F

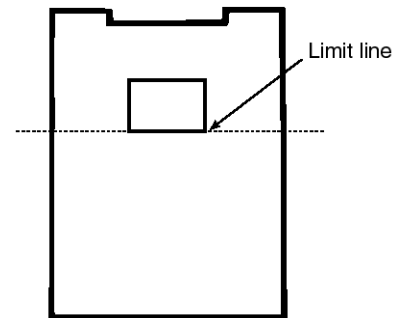
8. Check with an ohmmeter that no continuity exists between the commutator (A) and armature coil core (B), and between the commutator and armature shaft (C). If continuity exists, replace the armature.



EBKD012G

Inspect Starter Brush

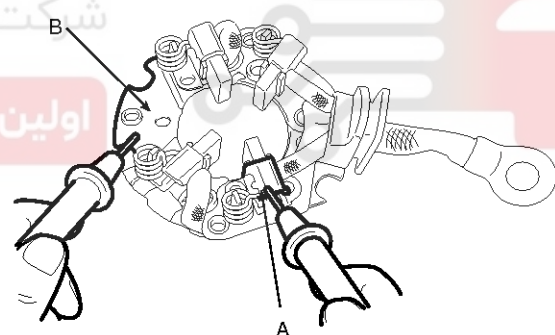
Brushes that are worn out, or oil-soaked, should be replaced.



SVGE10019L

Starter Brush Holder Test

1. Make sure there is no continuity between the (+) brush holder (A) and (-) plate (B). If there is continuity, replace the brush holder assembly.

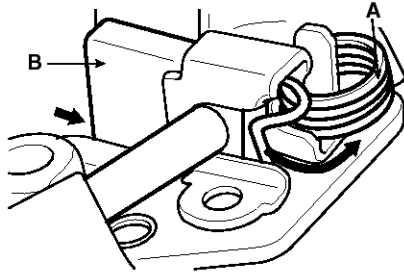


EBBD330A

EE-48

Engine Electrical System

2. Pry back each brush spring (A) with a screwdriver, then position the brush (B) about halfway out of its holder, and release the spring to hold it there.

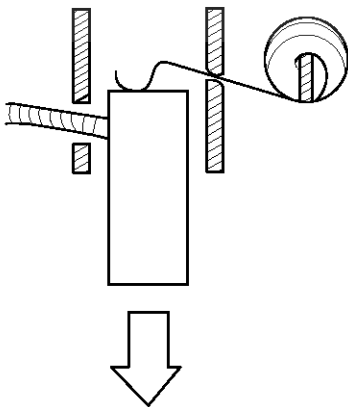


EBKD012K

3. Install the armature in the housing, and install the brush holder. Next, pry back each brush spring again, and push the brush down until it seats against the commutator, then release the spring against the end of the brush.

NOTICE

To seat new brushes, slip a strip of #500 or #600 sandpaper, with the grit side up, between the commutator and each brush, and smoothly rotate the armature. The contact surface of the brushes will be sanded to the same contour as the commutator.

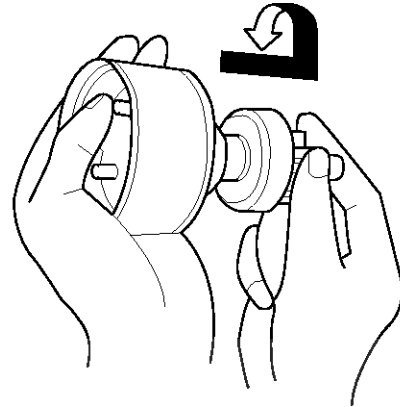


EBKD012I

Overrunning Clutch

1. Slide the overrunning clutch along the shaft.
Replace it if it does not slide smoothly.
2. Rotate the overrunning clutch both ways.

Does it lock in one direction and rotate smoothly in reverse? If it does not lock in either direction or it locks in both directions, replace it.



EBKD012J

3. If the starter drive gear is worn or damaged, replace the overrunning clutch assembly. (the gear is not available separately).

Check the condition of the flywheel or torque converter ring gear if the starter drive gear teeth are damaged.

Cleaning

1. Do not immerse parts in cleaning solvent. Immersing the yoke assembly and/or armature will damage the insulation. Wipe these parts with a cloth only.
2. Do not immerse the drive unit in cleaning solvent. The overrun clutch is pre-lubricated at the factory and solvent will wash lubrication from the clutch.
3. The drive unit may be cleaned with a brush moistened with cleaning solvent and wiped dry with a cloth.

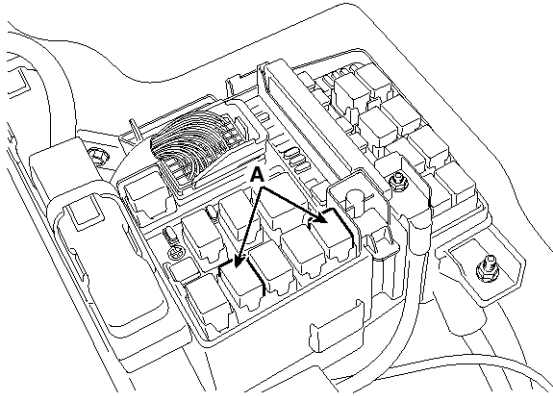
Starting System

EE-49

Starter Relay

Inspection

1. Remove the fuse box cover.
2. Remove the starter relay (A).

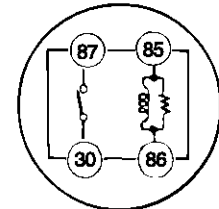
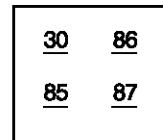


SVGEE0110D

3. Using an ohmmeter, check that there is continuity between each terminal.

Terminal	Continuity
30 - 87	NO
85 - 86	YES

4. Apply 12V to terminal 85 and ground to terminal 86. Check for continuity between terminals 30 and 87.



LDAD510B

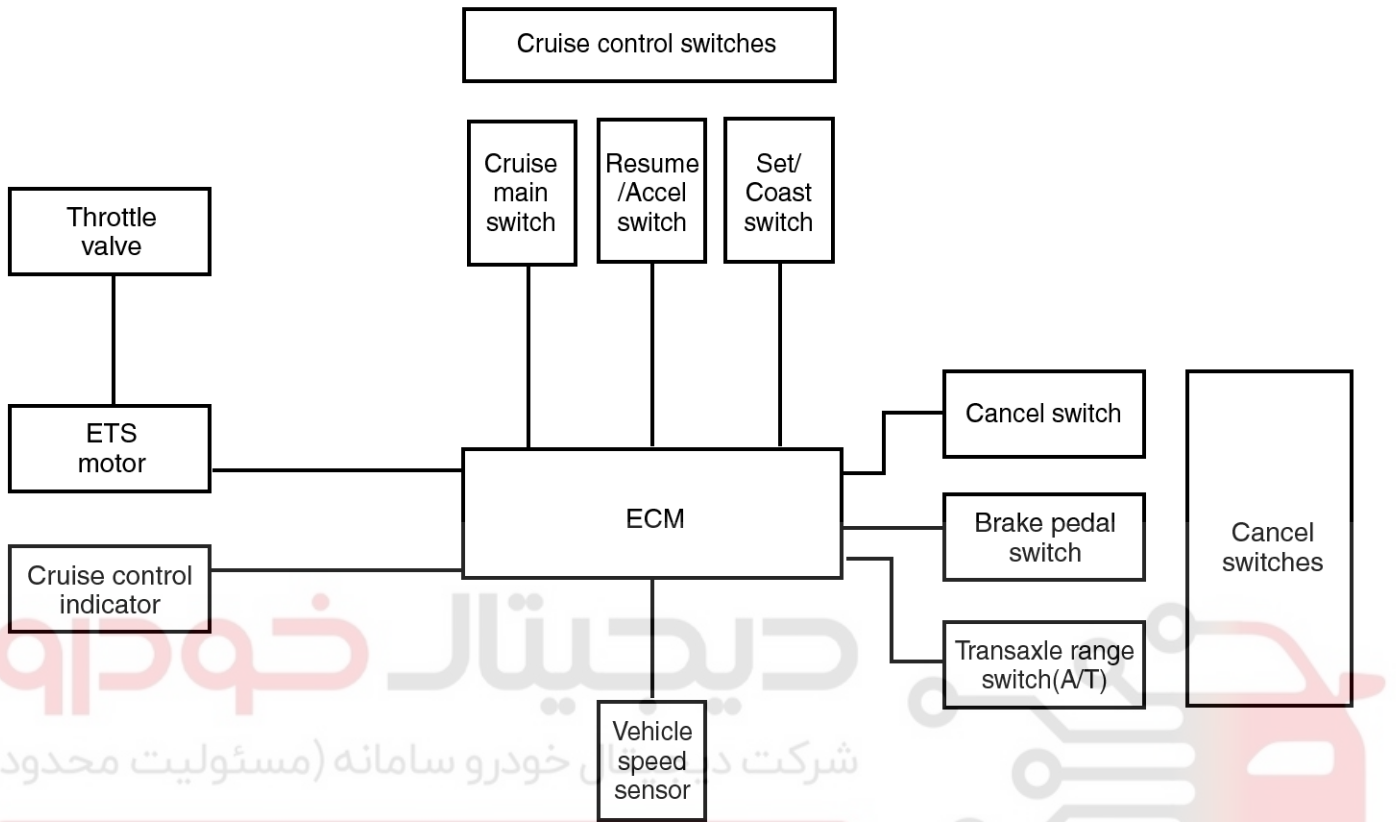
5. If there is no continuity, replace the starter relay.
6. Install the starter relay.
7. Install the fuse box cover.

EE-50

Engine Electrical System

Cruise Control System

System Block Diagram



SXME19121L

Component Parts And Function Outline

Component part		Function
Vehicle-speed sensor		Converts vehicle speed to pulse.
ECM		Receives signals from sensor and control switches.
Cruise control indicator		Illuminate when CRUISE main switch is ON (Built into cluster)
Cruise Control switches	ON/OFF switch	Switch for automatic speed control power supply.
	Resume/Accel switch	Controls automatic speed control functions by Resume/Accel switch (Set/Coast switch)
	Set/Coast switch	
Cancel switches	Cancel switch	Sends cancel signals to ECM.
	Brake-pedal switch	
	Transaxle range switch (A/T)	
ETS motor		Regulates the throttle valve to the set opening by ECM.

* ETS : Electronic Throttle System

Cruise Control System

EE-51

Cruise Control

The cruise control system is engaged by the cruise "ON/OFF" main switch located on right of steering wheel column. The system has the capability to cruise, coast, accelerate and resume speed.

It also has a safety interrupt, engaged upon depressing brake or shifting select lever.

The ECM is the control module for this system. The main components of cruise control system are mode control switches, transmission range switch, brake switch, vehicle speed sensor, ECM and ETS motor that connect throttle body.

The ECM contains a low speed limit which will prevent system engagement below a minimum speed of 40km/h (25mph).

The operation of the controller is controlled by mode control switches located on steering wheel.

Transmission range switch and brake switch are provided to disengage the cruise control system. The switches are on brake pedal bracket and transmission. When the brake pedal is depressed or select lever shifted, the cruise control system is electrically disengaged and the throttle is returned to the idle position.

Cruise main switch (ON/OFF)

The cruise control system is engaged by pressing the cruise "ON/OFF" main switch. Pressing the cruise "ON/OFF" main switch again releases throttle, clears cruise memory speed, and puts vehicle in a non-cruise mode.

Set/Coast switch (SET/-)

The "SET/-" switch located on right of steering wheel column has two functions.

The set function - Push the "SET/-" switch and release it at the desired speed. The SET indicator light in the instrument cluster will illuminate. Release the accelerator pedal. The desired speed will automatically be maintained.

The coast function - Push the "SET/-" switch and hold it when the cruise control is on. The vehicle will gradually slow down. Release the switch at the desired speed. The desired speed will be maintained.

Push the "SET/-" switch and release it quickly. The cruising speed will decrease by 2.0km/h (1.2mph).

Resume/Accel switch (RES/+)

The "RES/+" switch located on right of steering wheel column has two functions.

The resume function - If any method other than the cruise "ON/OFF" main switch was used to cancel cruising speed temporarily and the system is still activated, the most recent set speed will automatically resume when the "RES/+" switch is pushed. It will not resume, however, if the vehicle speed has dropped below approximately 40km/h (25mph).

The accel function - Push the "RES/+" switch and hold it when the cruise control is on. The vehicle will gradually accelerate. Release the switch at the desired speed. The desired speed will be maintained.

Push the "RES/+" switch and release it quickly. The cruising speed will increase by 2.0km/h (1.2mph).

Cancel switch (CANCEL)

The cruise control system is temporarily disengaged by pushing the "CANCEL" switch.

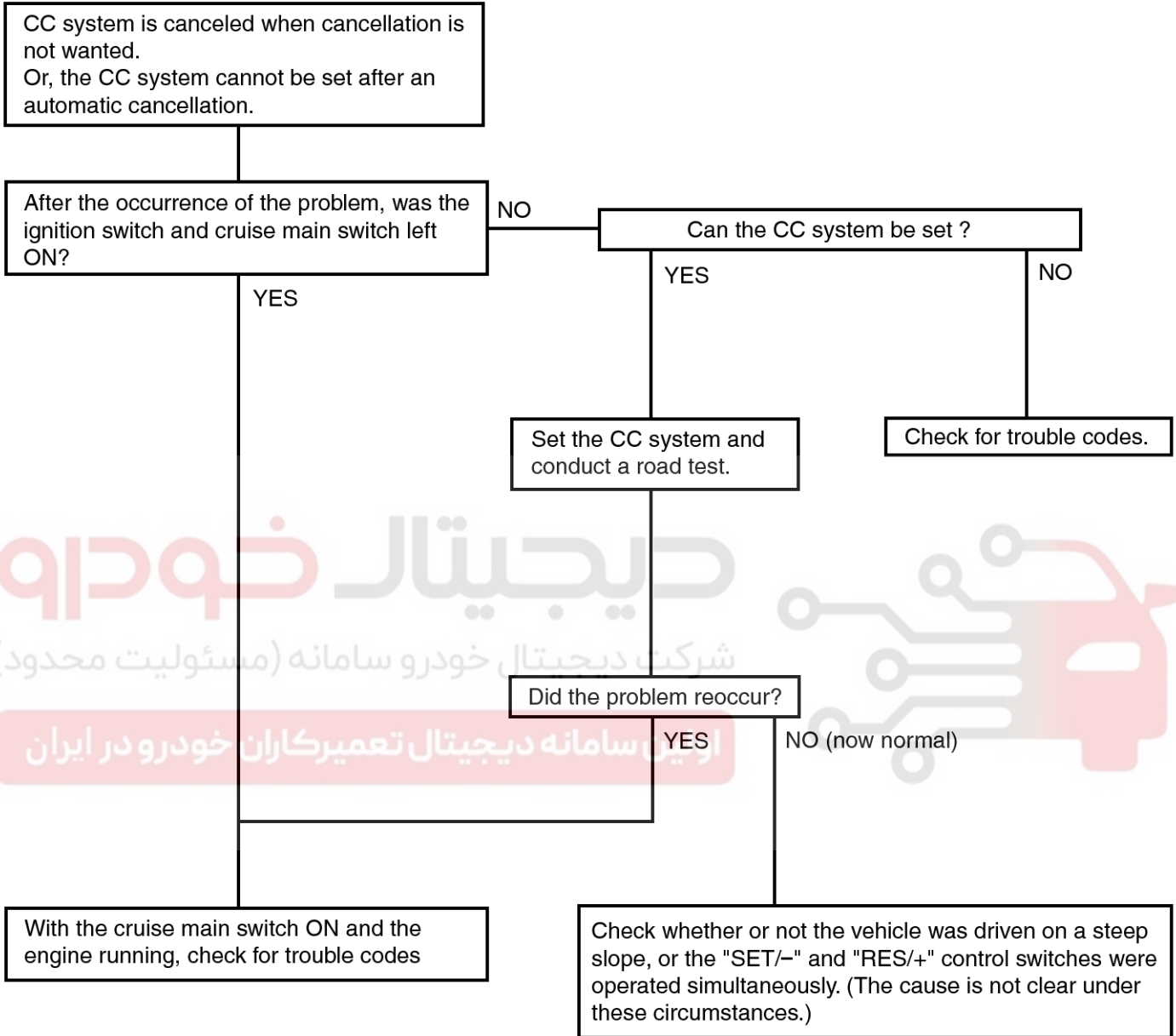
Cruise speed canceled by this switch can be recovered by pushing the "RES/+" switch.

EE-52

Engine Electrical System

Trouble Symptom Charts

Trouble Symptom 1



CC : Cruise Control
ECM : Engine Control Module

SVIE19143L

Cruise Control System

EE-53

Trouble Symptom 2

Trouble symptom	Probable cause	Remedy
The set vehicle speed varies greatly upward or downward "Surging" (repeated alternating acceleration and deceleration) occurs after setting	Malfunction of the vehicle speed sensor or circuit	Repair the vehicle speed sensor system, or replace the part
	Malfunction of ECM	Check input and output signals at ECM

Trouble Symptom 3

Trouble symptom	Probable cause	Remedy
The CC system is not canceled when the brake pedal is depressed	Damaged or disconnected wiring of the brake pedal switch	Repair the harness or replace the brake pedal switch
	Malfunction of the ECM signals	Check input and output signals at ECM

Trouble Symptom 4

Trouble symptom	Probable cause	Remedy
The CC system is not canceled when the shift lever is moved to the "N" position (It is canceled, however, when the brake pedal is depressed)	Damaged or disconnected wiring of inhibitor switch input circuit	Repair the harness or repair or replace the inhibitor switch
	Improper adjustment of inhibitor switch	
	Malfunction of the ECM signals	Check input and output signals at ECM

Trouble Symptom 5

Trouble symptom	Probable cause	Remedy
Cannot decelerate (coast) by using the "SET/-" switch	Temporary damaged or disconnected wiring of "SET/-" switch input circuit	Repair the harness or replace the "SET/-" switch
	Malfunction of the ECM signals	Check input and output signals at ECM

Trouble Symptom 6

Trouble symptom	Probable cause	Remedy
Cannot accelerate or resume speed by using the "RES/+" switch	Damaged or disconnected wiring, or short circuit, or "RES/+" switch input circuit	Repair the harness or replace the "RES/+" switch
	Malfunction of the ECM signals	Check input and output signals at ECM

Trouble Symptom 7

Trouble symptom	Probable cause	Remedy
CC system can be set while driving at a vehicle speed of less than 40km/h (25mph), or there is no automatic cancellation at that speed	Malfunction of the vehicle-speed sensor or circuit	Repair the vehicle speed sensor system, or replace the part
	Malfunction of the ECM signals	Check input and output signals at ECM

EE-54

Engine Electrical System

Trouble Symptom 8

Trouble symptom	Probable cause	Remedy
The cruise main switch indicator lamp does not illuminate (But CC system is normal)	Damaged or disconnected bulb of cruise main switch indicator lamp	Repair the harness or replace the part.
	Harness damaged or disconnected	

دیجیتال خودرو

شرکت دیجیتال خودرو سامانه (مسئولیت محدود)

اولین سامانه دیجیتال تعمیرکاران خودرو در ایران



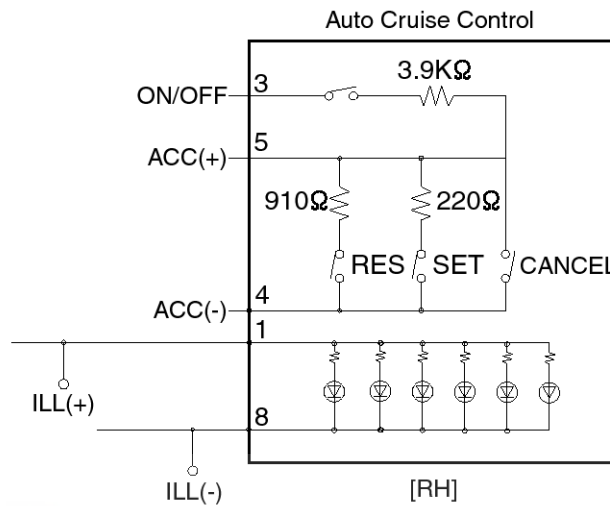
Cruise Control System

EE-55

Cruise Control Switch

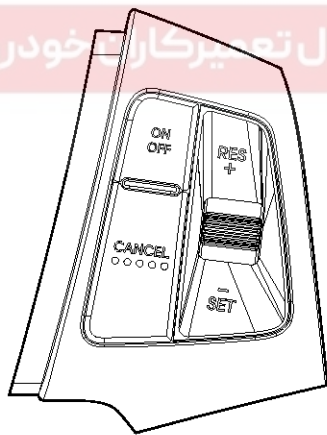
Circuit Diagram

[Auto Cruise Control]



دیجیتال خودرو
شرکت دیجیتال خودرو سامانه (مسئولیت محدود)

اولین سامانه دیجیتال تعمیرکاران خودرو در ایران



[RH]

Connector RH	
No	Connector
1	ILL (+)
2	-
3	ACC ON/OFF
4	GND
5	ACC signal
6	-
7	-
8	ILL (-)

SVGE10017L

EE-56

Engine Electrical System

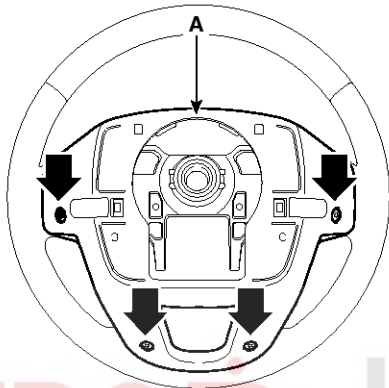
Removal and Installation

1. Disconnect the battery (-) terminal.

Tightening torque :

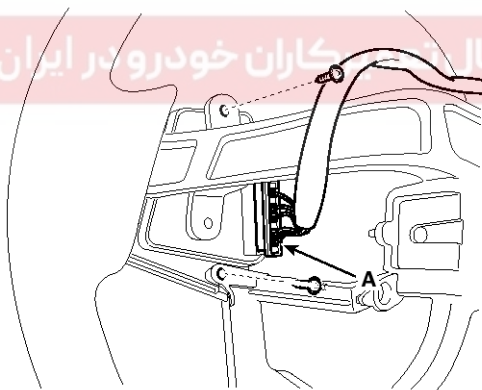
7.8 ~ 9.8N.m (0.8 ~ 1.0kgf.m, 5.8 ~ 7.2lb-ft)

2. Remove the air-bag module from the steering wheel. (Refer to RT group)
3. Loosen the 4 screws for remove steering wheel rear cover (A).



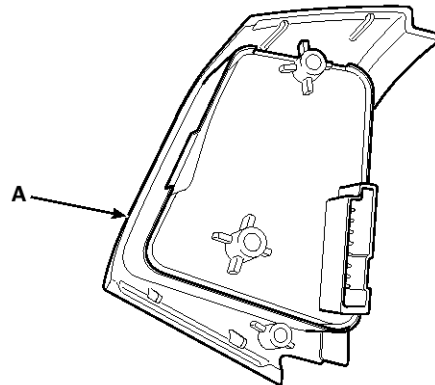
SXME19116D

4. Disconnect the cruise control switch connector (A).



SXME19117D

5. Remove the cruise control switch (A).



SXME19118D

6. Installation is reverse order of removal.



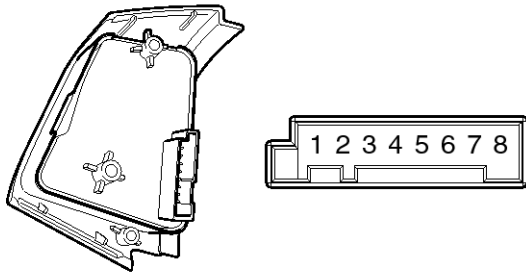
Cruise Control System

EE-57

Inspection

Measuring Resistance

1. Disconnect the cruise control switch connector from the control switch.



SXME19119D

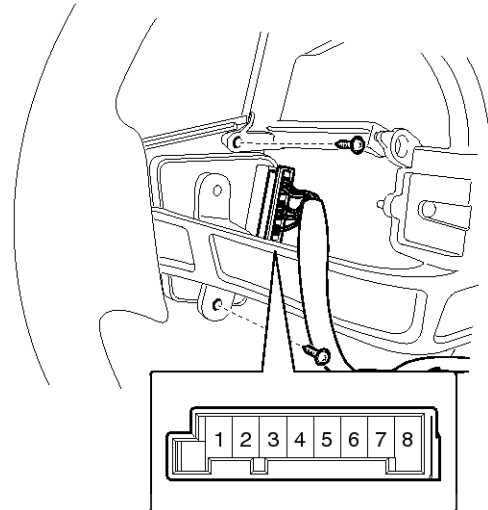
2. Measure resistance between terminals on the control switch when each function switch is ON (switch is depressed).

Function switch	Terminal	Resistance
CANCEL	4-5	0Ω ± 5%
SET/-	4-5	220Ω ± 5%
RES/+	4-5	910Ω ± 5%
ON/OFF	3-5	3900Ω ± 5%

3. If not within specification, replace switch.

Measuring Voltage

1. Connect the cruise control switch connector to the control switch.



SXME19120D

2. Measure voltage between terminals on the harness side connector when each function switch is ON (switch is depressed).

[2.4L]

Function switch	Terminal	Voltage
CANCEL	4-5	0 ~ 0.049V
SET/-	4-5	0.693 ~ 0.850V
RES/+	4-5	1.890 ~ 2.202V
OFF	3-5	4.100 ~ 4.819V
ON (Main)	3-5	4.902 ~ 15.500V

[3.5L]

Function switch	Terminal	Voltage
CANCEL	4-5	0 ~ 0.028V
SET/-	4-5	1.236 ~ 1.769V
RES/+	4-5	2.607 ~ 3.368V
OFF	3-5	4.063 ~ 4.724V
ON (Main)	3-5	6.603 ~ 15.500V

EE-58

Engine Electrical System

3. If not within specification, inspect the control switch resistance.

The measuring resistance value is not within specification, replace the switch and measure the voltage again.

4. If resistance is OK but, measuring voltage is not within specification, inspect the wiring harness and connectors between the switch and the ECM.

دیجیتال خودرو

شرکت دیجیتال خودرو سامانه (مسئولیت محدود)

اولین سامانه دیجیتال تعمیرکاران خودرو در ایران

